

Sole Agent & Sales Rep. Contact Information



Unit A, 11/F., Block A, Marvel Industrial Building, No.25-31,

Kwai Fung Crescent, Kwai Chung, N.T., Hong Kong.

Tel: (852) 2409 7786 Fax: (852) 2409 4232, 2409 0837

E-mail: papas8@netvigator.com

Home page: <http://www.metrobearing.com>



MBA

*built to be
Tough*



A SPECIALIST IN TRUCK & TRAILER

Company Profile

“Quality is fundamental, Safety comes first” .



Metro Bearing & Automotive Limited, a specialist in truck and trailer components, located in Hong Kong has expanded remarkably over the last 10 years dealing with wide range of automotive parts and accessories. With the joint venture factory established and the spring brake chamber came on production, it rapidly brought the company grown up into one of leading suppliers in the market in few years time. The success encouraged the company continues to enter into new segment by developing advanced models. As today's vehicles and trailers have become more and more sophisticated, the demand for quality is much higher

than ever. Our persistent aim is to provide high quality parts for customers along with professional knowledge and service expertise.

All the products are manufactured on our own MBA brand and on OEM basis distributed to both domestic and overseas customers in semi-trailer markets including China, Canada, USA, Mexico, Peru, Columbia, Australia, U.K., France, Italy, South Africa, Israel, Taiwan, Korea, Malaysia. A complete sales networks and after-sales services have been successfully established. The product portfolio includes air brake chambers, manual slack adjusters, bearings, air valves, camshafts, landing gears, oil seals, repair kits, triangle safety set... and brings in new products each day.

The company has two factories located in Taishan and Shunde. The factories have a total area of 470,000 square feet and a strong, professional team of more than 250 highly skilled and experienced engineers and personnel to serve the customers. There are over 70 sets of various CNC equipment and advanced production machinery. Both factories have already obtained ISO/TS16949 certification.

The company aims to provide the best and quality products to our customers. We believe good service is our business and quality is of the utmost important. A great deal of resources is put in the automotive product developments, production and quality assurance. Continuous improvement is our primary objective to strive for the maximum in safety.

Through different product testing and third party inspection, it demonstrated our products have achieved a very high level of conformity to safety requirement.

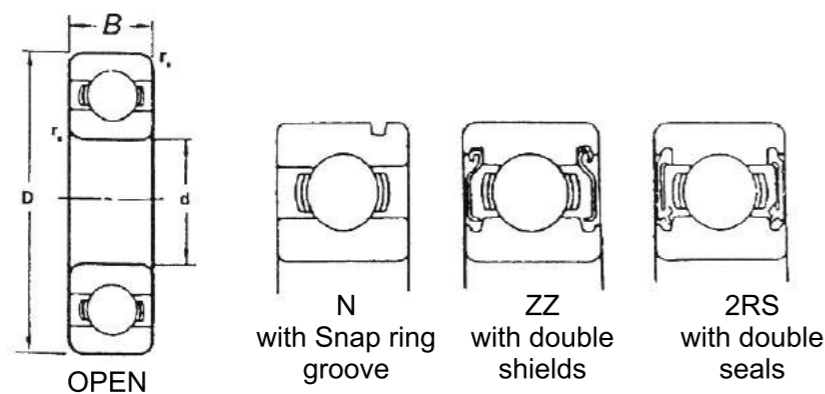


Product Index

	PAGE		PAGE
Company Profile	2	AXK Series \ Inch Series	39
Deep Groove Ball Bearings	4	●Axial Needle Roller	39
●67, 68, 69, 60, 160, 62, 63, 64 Series	4-6	AXW Series	39
Tapered Roller Bearing	6	Truck,Trailer Bearings-Deep Groove Ball Bearings	40
●(Metric Size, Inch Size, with seal)	6-10	●Alternator & Starter Bearings-Deep Groove Ball Bearing	40-41
●Double Row Tapered Roller Bearing	11-12	●Clutch Release Bearing	41-44
Cylindrical Roller Bearings	12	●Reference Table	45-46
●NU, NJ, NUP, N Series	12-14	●Hydraulic Clutch Bearings	47
●Other	14	●Wheel Hub Unit	47-50
Angular Contact Ball Bearing	15	●Belt Tensioner Berings	50-52
●Single Row Angular Contact Ball Bearing	15-16	Agricultural Bearings	52
●Double Rows Angular Contact Ball Bearing(DAC series)	16-18	●Round Bore And Spherical O.D. Type	52
Self-aligning Ball Bearings	18	●Square Bore And Spherical O.D	52
●12(K), 13(K), 22(K), 23(K) Series	18-19	●Round Bore And Cylindrical O.D.	53
●Spherical Roller Bearings	20-21	●Square Bore And Cylindrical O.D	53
Thrust Bearing	21	●Flanged Disc Units-Round Bore	53
●Single-Direction Thrust Ball Bearing	21-22	●Flanged Disc Units-Square Bore	53
●Thrust Ball Bearing With Cover	22	Water Pump Bearings	53
●Thrust Ball Bearing With Spherical Seat	22	●WB Series	53-55
●Double-Direction Thrust Ball Bearing	22-23	●WR Series	56
●Spherical Roller Thrust Bearings	23	Mast Guide Bearings	57
●Thrust Roller Bearing Steering Pivot with Retainer	23	Spherical Plain Bearing	58
●Cylindrical Roller Thrust Bearings	23-24	●Radial Spherical Plain Bearing - Maintenance Type	58-60
Mounted Bearing Units & Insert	24	●Radial Spherical Plain Bearing, Maintenance-Free Type	60-61
●SER Series \ UC Series \ SB Series \ CSB Series	24-29	●Anguar Contact Spherical Plain Bearing	61-62
HC Series \ SA Series \ CSA Series \ UK Series \ Plummer Block		●Thrust Spherical Plain Bearing	62
●Mounted Bearing Untis & Inserts-MountedUnits	30	GX...T Series (sliding contact surface: steel/PTFE fabric)	62
●Pillow Block (UCP Series)		GX...S Series (sliding contact surface: steel/steel)	62
Needle Roller Bearings	31	Constant Velocity Joints	63
●Drawn Cup Needle Roller Bearings	31	●Outer C.V.Joints	63-66
HK Series \ BK Series \ Inch Series		●Inner C.V.Joint	66-67
●Sealed Drawn Cup Needle Rolle Bearing	31-32	●VL Inner C.V.Joint	68
HK...RS Series \ HK...2RS Series \ BK...RS Series		●With 4 Plain Round Bearing Type	68
●Drawn Cup Full Component Needle Roller Bearings	32-33	●With 4 Grooved Round Bearings	68
F Series \ FH Series \ MF, MFH Series \ FY SeriwS		●With 4 Welded Plate Type	68
●Drawn Cup Roller Clutches / Clutch And Bearing Assemblies	33	●With 2 Welded Plate And 2 Plain Round Bearing Type	68
HF Series \ HFL Series		●With 2 Welded Plate Type And 2 High Wing Bearings	68
●Radial Needle Roller And Cage Assemblies	33	●Differential Spinder	69
K Series \ K...ZW Series		●With 4 wings bearings	69
●Radial Needle And Cage Assemblies For PinConnecting Rod	34	Center Support	69
KZK Series \ KBK Series		Bearing Tolerance	69
●Heavy Duty Needle Roller Bearings	34-37	●Normal Class Tolerances For Radial Bearings (Except Tapered Roller Bearings)	70
NK Series \ NKS Series \ RNA49 Series \ RNA69 Series \		●Normal Tolerances For Tapered Roller Bearings (Metric Sizes)	70
NKI Series \ NKIS Series \ NA49 Series \ NA69 Series \		●Tolerances For Tapered Roller Bearings (Inch Sizes)	70
NA48 Series \ NAO Series \RNAO Series \		●Radial Interanal Clearance Of Magneto Ball Bearing	70
●Sealed Heavy Duty Needle Roller Bearings	37	●Material Of Bearing Rings And Balls	70
RNA49...RS Series \ RNA49...2RS Series		●Normal Class Tolerance And Allowable Values (Class O) Of Tapered Hole of Radial Bearings	71
NA49...RS Series \ NA49...2RS Series		●Bearing Interanal Clearance	71
●Full Components Needle Roller Bearibgs	38	Radial Interanal Clearance Of Deep Groove Ball Bearings	
RNAV Series \ NAV Series		●Radial Internal Clearance Of Deep Groove Ball Bearings	71
●Self-Aligning Needle Roller Bearings	38	Based On Measure Load	
RPNA Series \ PNA Series		●Radial Interanal Clearance Of Self-Aligning Ball Bearings	71
●Inner Rings	38-39	●Radial Interanal Clearance Of Bearings For Electric Moter	71
IR Series \ LR Series			
●Thrust Needle Roller And Cage Assemblies	39		

Deep Groove Ball Bearings

67, 68, 69, 60, 160, 62, 63, 64 Series



Bearing Number	Boundary Dimensions(mm)				Basic Load Ratings(kN)		Limiting Speeds(rpm)		Weight(Kg) (Approx.) Open Type
	d	D	B	rs min	Dynamic Cr	Static Cor	Grease ZZ 2RS	Oil Open	
6700	10	15	3	0.1	1.01	0.555	36,000	42,000	0.0015
6800	10	19	5	0.3	1.83	0.925	32,000	38,000	0.005
6900	10	22	6	0.3	2.7	1.27	30,000	36,000	0.009
6000	10	26	8	0.3	4.55	1.96	29,000	34,000	0.019
6200	10	30	9	0.6	5.1	2.39	25,000	30,000	0.032
6300	10	35	11	0.6	5.2	3.5	23,000	27,000	0.058
6701	12	18	4	0.2	0.93	0.53	8,300	9,500	0.002
6801	12	21	5	0.3	1.92	1.04	29,000	35,000	0.006
6901	12	24	6	0.3	2.89	1.46	27,000	32,000	0.011
16001	12	28	7	0.3	5.1	2.39	26,000	30,000	0.019
6001	12	28	8	0.3	5.1	2.39	26,000	30,000	0.021
6201	12	32	10	0.6	6.1	2.75	22,000	26,000	0.037
6301	12	37	12	1	9.7	4.2	20,000	24,000	0.06
6702	15	21	4	0.2	0.94	0.585	6,600	7,600	0.0025
6802	15	24	5	0.3	2.08	1.26	26,000	31,000	0.007
6902	15	28	7	0.3	3.65	2	24,000	28,000	0.016
16002	15	32	8	0.3	5.6	2.83	22,000	26,000	0.025
6002	15	32	9	0.3	5.6	2.83	22,000	26,000	0.03
6202	15	35	11	0.6	7.75	3.6	19,000	23,000	0.045
6302	15	42	13	1	11.4	54.5	17,000	21,000	0.082
6703	17	23	4	0.2	1	0.66	5,000	6,700	0.003
6803	17	26	5	0.3	2.23	1.46	24,000	28,000	0.008
6903	17	30	7	0.3	4.65	2.58	22,000	26,000	0.018
16003	17	35	8	0.3	6.8	3.35	20,000	24,000	0.032
6003	17	35	10	0.3	6.8	3.35	20,000	24,000	0.039
6203	17	40	12	0.6	9.6	4.6	18,000	21,000	0.066
6303	17	47	14	1	13.5	6.55	16,000	19,000	0.115
6403	17	62	17	1.1	22.7	10.8	14,000	16,000	0.27
6704	20	27	4	0.2	1.04	0.73	5,000	5,700	0.0045
6804	20	32	7	0.3	4	2.47	21,000	25,000	0.019
6904	20	37	9	0.3	6.4	3.7	19,000	23,000	0.036
16004	20	42	8	0.3	7.9	4.5	18,000	21,000	0.051
6004	20	42	12	0.6	9.4	5.05	18,000	21,000	0.069
6204	20	47	14	1	12.8	6.65	16,000	18,000	0.106
6304	20	52	15	1.1	15.9	7.9	14,000	17,000	0.144
6404	20	72	19	1.1	28.5	13.9	12,000	14,000	0.4
60/22	22	44	12	0.6	0.955	0.515	17,000	20,000	0.074
62/22	22	50	14	1	1.32	0.69	14,000	17,000	0.117
63/22	22	56	16	1.1	1.84	0.93	13,000	15,000	0.176
6705	25	32	4	0.2	1.1	0.84	4,000	4,600	0.005
6805	25	37	7	0.3	4.3	2.95	18,000	21,000	0.022
6905	25	42	9	0.3	7.05	4.55	16,000	19,000	0.042
16005	25	47	8	0.3	8.35	5.1	15,000	18,000	0.06
6005	25	47	12	0.6	10.1	5.85	15,000	18,000	0.08
6205	25	52	15	1	14	7.85	13,000	15,000	0.128
6305	25	62	17	1.1	21.2	10.9	12,000	14,000	0.232
6405	25	80	21	1.5	34.5	17.5	10,000	12,000	0.53
60/28	28	52	12	0.6	1.27	0.755	14,000	16,000	0.098
62/28	28	58	16	1	1.83	0.995	12,000	14,000	0.171
63/28	28	68	18	1.1	2.70	1.4	11,000	13,000	0.284
6706	30	37	4	0.2	1.14	0.95	3,300	3,800	0.006
6806	30	42	7	0.3	4.7	3.65	15,000	18,000	0.026
6906	30	47	9	0.3	7.25	5	14,000	17,000	0.048
16006	30	55	9	0.3	11.2	7.35	13,000	15,000	0.091
6006	30	55	13	1	13.2	8.3	13,000	15,000	0.116
6206	30	62	16	1	19.5	11.3	11,000	13,000	0.199
6306	30	72	19	1.1	26.7	15	10,000	12,000	0.36
6406	30	90	23	1.5	43.5	23.9	8,800	10,000	0.735
60/32	32	58	13	1	1.2	0.82	12,000	15,000	0.129
62/32	32	65	17	1	2.11	1.19	11,000	12,000	0.226
63/32	32	75	20	1.1	2.98	1.69	9,500	11,000	0.38
6807	35	47	7	0.3	4.9	4.05	13,000	16,000	0.029
6907	35	55	10	0.6	9.55	6.85	12,000	15,000	0.074
16007	35	62	9	0.3	11.7	8.2	12,000	14,000	0.11
6007	35	62	14	1	16	10.3	12,000	14,000	0.155
6207	35	72	17	1.1	25.7	15.3	9,800	11,000	0.288
6307	35	80	21	1.5	33.5	19.1	8,800	10,000	0.46
6407	35	100	25	1.5	55	31	7,800	9,100	0.952

Bearing Number	Boundary Dimensions(mm)				Basic Load Ratings(kN)		Limiting Speeds(rpm)		Weight(Kg) (Approx.) Open Type
	d	D	B	rs min	Dynamic Cr	Static Cor	Grease ZZ 2RS	Oil Open	
6808	40	52	7	0.3	5.1	4.4	12,000	14,000	0.033
6908	40	62	12	0.6	12.2	8.9	11,000	13,000	0.11
16008	40	68	9	0.3	12.6	9.65	10,000	12,000	0.125
6008	40	68	15	1	16.8	11.5	10,000	12,000	0.19
6208	40	80	18	1.1	29.1	17.8	8,700	10,000	0.366
6308	40	90	23	1.5	40.5	24	7,800	9,200	0.63
6408	40	110	27	2	63.5	36.5	7,000	8,200	1.23
6809	45	58	7	0.3	5.35	4.95	11,000	12,000	0.04
6909	45	68	12	0.6	13.1	10.4	9,800	12,000	0.128
16009	45	75	10	0.6	12.9	10.5	9,200	11,000	0.171
6009	45	75	16	1	21	15.1	9,200	11,000	0.237
6209	45	85	19	1.1	32.5	20.4	7,800	9,200	0.398
6309	45	100	25	1.5	53	32	7,000	8,200	0.81
6409	45	120	29	2	77	45	6,300	7,400	1.53
6810	50	65	7	0.3	6.6	6.1	9,600	11,000	0.052
6910	50	72	12	0.6	13.4	11.2	8,900	11,000	0.132
16010	50	80	10	0.6	13.2	11.3	8,400	9,800	0.18
6010	50	80	16	1	21.8	16.6	8,400	9,800	0.261
6210	50	90	20	1.1	35	23.2	7,100	8,300	0.454
6310	50	110	27	2	62	38.5	6,400	7,500	1.07
6410	50	130	31	2.1	83	49.5	5,700	6,700	1.88
6811	55	72	9	0.3	8.8	8.1	8,700	10,000	0.083
6911	55	80	13	1	16	13.3	8,200	9,600	0.18
16011	55	90	11	0.6	18.6	15.3	7,700	9,000	0.258
6011	55	90	18	1.1	28.3	21.2	7,700	9,000	0.388
6211	55	100	21	1.5	43.5	29.2	6,400	7,600	0.601
6311	55	120	29	2	71.5	45	5,800	6,800	1.37
6411	55	140	33	2.1	89	54	5,200	6,100	2.29
6812	60	78	10	0.3	11.5	10.6	8,000	9,400	0.106
6912	60	85	13	1	16.4	14.3	7,600	8,900	0.193
16012	60	95	11	0.6	20	17.5	7,000	8,300	0.283
6012	60	95	18	1.1	29.5	23.2	7,000	8,300	0.414
6212	60	110	22	1.5	52.5	36	6,000	7,000	0.783
6312	60	130	31	2.1	82	52	5,400	6,300	1.73
6412	60	150	35	2.1	102	64.5	4,800	5,700	2.77
6813	65	85	10	0.6	11.6	11	7,400	8,700	0.128
6913	65	90	13	1	17.4	16.1	7,000	8,200	0.206
16013	65	100	11	0.6	20.5	18.7	6,500	7,700	0.307
6013	65	100	18	1.1	30.5	25.2	6,500	7,700	0.421
6213	65	120	23	1.5	57.5	40	5,500	6,500	0.99
6313	65	140	33	2.1	92.5	60	4,900	5,800	2.08
6413	65	160	37	2.1	111	72.5	4,400	5,200	3.3
6814	70	90	10	0.6	12.1	11.9	6,900	8,100	0.137
6914	70	100	16	1	23.7	21.2	6,500	7,700	0.334
16014	70	110	13	0.6	24.4	22.6	6,100	7,100	0.441
6014	70	110	20	1.1	38	31	6,100	7,100	0.604
6214	70	125	24	1.5	62	44	5,100	6,000	1.07
6314	70	150	35	2.1	104	68	4,600	5,400	2.52
6414	70	180	42	3	128	89.5	4,100	4,800	4.83
6815	75	95	10	0.6	12.5	12.9	6,400	7,600	0.145
6915	75	105	16	1	24.4	22.6	6,100	7,200	0.353
16015	75	115	13	0.6	25	24	5,700	6,700	0.464
6015	75	115	20	1.1	39.5	33.5	5,700	6,700	0.649
6215	75	130	25	1.5	66	49.5	4,800	5,600	1.18
6315	75	160	37	2.1	113	77	4,300	5,000	3
6415	75	190	45	3	138	99	3,800	4,500	5.72
6816	80	100	10	0.6	12.7	13.3	6,000	7,100	0.154
6916	80	110	16	1	24.9	24	5,700	6,700	0.373
16016	80	125	14	0.6	25.4	25.1	5,300	6,200	0.597
6016	80	125	22	1.1	47.5	40	5,300	6,200	0.854
6216	80								

Bearing Number	Boundary Dimensions(mm)				Basic Load Ratings(kN)		Limiting Speeds(rpm)		Weight(Kg) (Approx.) Open Type
	d	D	B	rs min	Dynamic Cr	Static Cor	Grease ZZ 2RS	Oil Open	
6820	100	125	13	1	19.6	21.2	4,800	5,600	0.313
6920	100	140	20	1.1	41	39.5	4,500	5,300	0.785
16020	100	150	16	1	35	36.5	4,200	5,000	0.91
6020	100	150	24	1.5	60	54	4,200	5,000	1.15
6220	100	180	34	2.1	122	93	3,500	4,200	3.14
6320	100	215	47	3	173	141	3,200	3,700	7
6821	105	130	13	1	19.8	22	4,600	5,400	0.33
6921	105	145	20	1.1	42.5	42	4,300	5,100	0.816
16021	105	160	18	1	52	50.5	4,000	4,700	1.2
6021	105	160	26	2	72.5	65.5	4,000	4,700	1.59
6221	105	190	36	2.1	133	105	3,400	4,000	3.7
6321	105	225	49	3	184	153	3,000	3,600	8.1
6822	110	140	16	1	24.9	28.2	4,300	5,100	0.515
6922	110	150	20	1.1	43.5	44.5	4,100	4,800	0.849
16022	110	170	19	1	57.5	56.5	3,800	4,500	1.46
6022	110	170	28	2	82	73	3,800	4,500	1.96
6222	110	200	38	2.1	144	117	3,200	3,800	4.36
6824	120	150	16	1	28.9	33	4,000	4,700	0.555
6924	120	165	22	1.1	53	54	3,800	4,400	1.15
16024	120	180	19	1	63	63.5	3,500	4,100	1.56
6024	120	180	28	2	85	79.5	3,500	4,100	2.07
6224	120	215	40	2.1	155	131	2,900	3,400	5.15
6826	130	165	18	1.1	37	41	3,700	4,300	0.8
6926	130	180	24	1.5	65	67.5	3,500	4,100	1.52
16026	130	200	22	1.1	80	79.5	3,200	3,800	2.31
6026	130	200	33	2	106	101	3,200	3,800	3.16
6226	130	230	40	3	167	146	2,700	3,100	5.82
6828	140	175	18	1.1	38.5	44.5	3,400	4,000	0.85
6928	140	190	24	1.5	66.5	71.5	3,200	3,800	1.62
16028	140	210	22	1.1	82	85	3,000	3,500	2.45
6028	140	210	33	2	110	109	3,000	3,500	3.35
6228	140	250	42	3	166	150	2,500	2,900	7.57
6830	150	190	20	1.1	47.5	55	3,100	3,700	1.16
6930	150	210	28	2	85	90.5	3,000	3,500	2.47
16030	150	225	24	1.1	96.5	101	2,800	3,200	3.07
6030	150	225	35	2.1	126	126	2,800	3,200	4.08
6230	150	270	45	3	176	168	2,300	2,700	9.41
6832	160	200	20	1.1	48.5	57	2,900	3,400	1.23
6932	160	220	28	2	87	96	2,800	3,300	2.61
16032	160	240	25	1.5	99	108	2,600	3,000	3.64
6032	160	240	38	2.1	143	144	2,600	3,000	5.05
6232	160	290	48	3	185	186	2,100	2,500	11.7
6834	170	215	22	1.1	60	70.5	2,700	3,200	1.63
6934	170	230	28	2	86	95.5	2,600	3,100	2.74
16034	170	260	28	1.5	119	128	2,400	2,800	4.93
6034	170	260	42	2.1	168	172	2,400	2,800	6.76
6234	170	310	52	4	212	223	2,000	2,400	14.5
6836	180	225	22	1.1	60.5	73	2,600	3,000	2.03
6936	180	250	33	2	110	119	2,400	2,900	4.76
16036	180	280	31	2	117	134	2,300	2,700	6.49
6036	180	280	46	2.1	189	199	2,300	2,700	8.8
6236	180	320	52	4	227	241	1,900	2,200	15.1
6838	190	240	24	1.5	73	88	2,400	2,900	2.62
6938	190	260	33	2	113	127	2,300	2,700	4.98
16038	190	290	31	2	134	156	2,100	2,500	6.77
6038	190	290	46	2.1	197	215	2,100	2,500	9.18
6238	190	340	55	4	255	281	1,800	2,100	18.2
6840	200	250	24	1.5	74	91.5	2,300	2,700	2.73
6940	200	280	38	2.1	157	168	2,200	2,600	7.1
16040	200	310	34	2	142	160	2,000	2,400	8.68
6040	200	310	51	2.1	218	243	2,000	2,400	11.9
6240	200	360	58	4	269	310	1,700	2,000	21.6
6244	220	400	65	4	297	365	1,500	1,800	30.2

Tapered Roller Bearing (Metric Size)

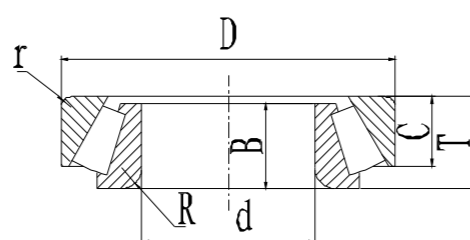


Bearing Number		Boundary Dimensions (mm)			Basic Load Ratings (kN)		Cone		Cup		Weight (Kg)
GB/T	ISO 355	d	D	T	Dynamic Cr	Static Cor	B	R	C	r	(Approx.)
30302	T2FB015	15	42	14.25	23.2	20.8	13	1	11	1	0.098
30203	T2DB017	17	40	13.25	20.5	20.3	12	1	11	1	0.08

Bearing Number		Boundary Dimensions (mm)			Basic Load Ratings (kN)		Cone		Cup		Weight (Kg)
GB/T	ISO 355	d	D	T	Dynamic Cr	Static Cor	B	R	C	r	(Approx.)
32203	T2DD017	17	40	17.25	27.3	28.3	16	1	14	1	0.102
30303	T2FB017	17	47	15.25	28.9	26.3	14	1	12	1	0.134
32004X	T3CC020	20	42	15	24.9	27.9	15	0.6	12	0.6	0.097
30204	T2DB020	20	47	15.25	28.2	28.7	14	1	12	1	0.127
32204		20	47	19.25	36.5	39.5	18	1	15	1	0.16
30304	T2FB020	20	52	16.25	35.5	34	15	1.5	13	1.5	0.176
32304	T2FD020	20	52	22.25	46.5	48.5	21	1.5	18	1.5	0.245
320/22X		22	44	15	27	31.5	15	0.6	11.5	0.6	0.106
32005X	T4CC025	25	47	15	27.8	33.5	15	0.6	11.5	0.6	0.114
30205	T3CC025	25	52	16.25	31.5	34	15	1	13	1	0.154
32205	T2CD025	25	52	19.25	42	47	18	1	16	1	0.187
30305	T2FB025	25	62	18.25	48.5	47.5	17	1.5	15	1.5	0.272
31305	T7FB025	25	62	18.25	40.7	46	17	1.5	13	1.5	0.284
32305	T2FD025	25	62	25.25	61.5	64.5	24	1.5	20	1.5	0.381
320/28X	T4CC028	28	52	16	33	40.5	16	1	12	1	0.146
32006X	T4CC030	30	55	17	37.5	46	17	1	13	1	0.166
30206	T3DB030	30	62	17.25	43.5	48	16	1	14	1	0.241
32206	T3DC030	30	62	21.25	54.5	64	20	1	17	1	0.301
31306	T7FB030	30	72	20.75	47.3	50	19	1.5	14	1.5	0.398
30306	T2FB030	30	72	20.75	60	61	19	1.5	16	1.5	0.408
32306	T2FD030	30	72	28.75	81	90	27	1.5	23	1.5	0.583
320/32X	T4CC032	32	58	17	37	46.5	17	1	13	1	0.181
323/32X		32	75	29.75	84	102	28	1.5	23	1.5	0.659
32007X	T4CC035	35	62	18	41.5	52.5	18	1	14	1	0.224
30207	T3DB035	35	72	18.25	55.5	61.5	17	1.5	15	1.5	0.344
32207	T3DC035	35	72	24.25	72.5	87	23	1.5	19	1.5	0.457
31307	T7FB035	35	80	22.75	61.6	67	21	2	15	1.5	0.53
30307	T2FB035	35	80	22.75	75	77	21	2	18	1.5	0.54
32307	T2EE035	35	80	32.75	101	115	31	2	25	1.5	0.787
32008X	T3CD040	40	68	19	50	65.5	19	1	14.5	1	0.273
33108	T2CE040	40	75	26	79.5	103	26	1.5	20.5	1.5	0.494
30208	T3DB040	40	80	19.75	61	67	18	1.5	16	1.5	0.435
32208	T3DC040	40	80	24.75	79.5	93.5	23	1.5	19	1.5	0.558
31308	T7FB040	40	90	25.25	81	96	23	2	17	1.5	0.738
30308	T2FB040	40	90	25.25	91.5	102	23	2	20	1.5	0.769
32308	T2FD040	40	90	35.25	122	150	33	2	27	1.5	1.08
32009X	T3CC045	45	75	20	57.5	76.5	20	1	15.5	1	0.346
33109	T3CE045	45	80	26	84.5	115	26	1.5	20.5	1.5	0.542
30209	T3DB045	45	85	20.75	67.5	78.5	19	1.5	16	1.5	0.495
32209	T3DC045	45	85	24.75	82	100	23	1.5	19	1.5	0.607
30309	T2FB045	45	100	27.25	111	126	25	2	22	1.5	1.01
32309	T2FD045	45	100	38.25	154	191	36	2	30	1.5	1.46
32010X	T3CC050	50	80	20	62.5	88	20	1	15.5	1	0.366
33110	T3CE050	50	85	26	86.5	121	26	1.5	20	1.5	0.58
30210	T3DB050	50	90	21.75	77	93	20	1.5	17	1.5	0.563
32210	T3DC050	50	90	24.75	87.5	109	23	1.5	19	1.5	0.648
30310	T2FB050	50	110	29.25	133	152	27	2.5	23	2	1.31
32310	T2FD050	50	110	42.25	184	232	40	2.5	33	2	1.92
32911		55	80	17	44.5	73.5	17	1	14	1	0.274
32011X	T3CC055	55	90	23	80.5	118	23	1.5	17.5	1.5	0.563
33111	T3CE055	55	95	30	111	155	30	1.5	23	1.5	0.846
30211	T3DB055	55	100	22.75	93	111	21	2	18	1.5	0.74
32211	T3DC055	55	100	26.75	108	134	25	2	21	1.5	0.876
31311	T7FB055	55	120	31.5	130	158	29	2.5	21	2	1.59
30311	T2FB055	55									

Bearing Number		Boundary Dimensions (mm)			Basic Load Ratings (kN)		Cone		Cup		Weight (Kg)
GB/T	ISO 355	d	D	T	Dynamic Cr	Static Cor	B	R	C	r	(Approx.)
30215	T4DB075	75	130	27.25	137	186	25	2	22	1.5	1.41
32215	T4DC075	75	130	33.25	168	224	31	2	27	1.5	1.74
33215		75	130	41	207.1	299.7	41	2	31	1.5	2.17
31315	T7GB075	75	160	40	209	245	37	3	26	2.5	3.47
30315	T2GB075	75	160	40	255	305	37	3	31	2.5	3.57
32315	T2GD075	75	160	58	355	470	55	3	45	2.5	5.35
32916		80	110	20	72	121	20	1	16	1	0.54
32016X	T3CC080	80	125	29	139	216	29	1.5	22	1.5	1.28
33116		80	130	37	179.6	292.3	37	2.5	29	0.8	1.87
30216	T3EB080	80	140	28.25	160	213	26	2.5	22	2	1.72
32216	T3EC080	80	140	35.25	199	265	33	2.5	28	2	2.18
31316	T7GB080	80	170	42.5	224	265	39	3	27	2.5	4.11
30316	T2GB080	80	170	42.5	291	350	39	3	33	2.5	4.41
32316	T2GD080	80	170	61.5	395	525	58	3	48	2.5	6.41
32917		85	120	23	94	157	23	1.5	18	1.5	0.773
32017X	T4CC085	85	130	29	142	224	29	1.5	22	1.5	1.35
30217	T3EB085	85	150	30.5	183	232	28	2.5	24	2	2.14
32217	T3EC085	85	150	38.5	224	300	36	2.5	30	2	2.75
33217		85	150	49	284	420	49	2.5	37	2	3.58
31317	T7GB085	85	180	44.5	247	293	41	4	28	3	4.85
30317	T2GB085	85	180	44.5	305	365	41	4	34	3	5.2
32317	T2GD085	85	180	63.5	405	525	60	4	49	3	7.15
32918		90	125	23	97.5	168	23	1.5	18	1.5	0.817
32018X	T3CC090	90	140	32	168	270	32	2	24	1.5	1.79
33118		90	150	45	251	390	45	2.5	35	2	3.18
30218	T3FB090	90	160	32.5	208	267	30	2.5	26	2	2.66
32218	T3FC090	90	160	42.5	262	360	40	2.5	34	2	3.49
31318	T7GB090	90	190	46.5	270	320	43	4	30	3	5.66
30318	T2GB090	90	190	46.5	335	405	43	4	36	3	6.03
32318	T2GD090	90	190	67.5	450	595	64	4	53	3	8.57
32919	T2BC095	95	130	23	101	178	23	1.5	18	1.5	0.851
32019X	T4CC095	95	145	32	171	280	32	2	24	1.5	1.83
30219	T3FB095	95	170	34.5	226	290	32	3	27	2.5	3.07
32219	T3FC095	95	170	45.5	299	415	43	3	37	2.5	4.3
31319	T7GB095	95	200	49.5	296	355	45	4	32	3	6.47
30319	T2GB095	95	200	49.5	365	445	45	4	38	3	6.98
32319	T2GD095	95	200	71.5	505	670	67	4	55	3	10.1
32920		100	140	25	121	206	25	1.5	20	1.5	1.14
32020X	T4CC100	100	150	32	170	281	32	2	24	1.5	1.91
30220	T3FB100	100	180	37	258	335	34	3	29	2.5	3.78
32220	T3FC100	100	180	49	330	465	46	3	39	2.5	5.12
30320	T2GB100	100	215	51.5	410	500	47	4	39	3	8.56
31320	T7GB100	100	215	56.5	355	435	51	4	35	3	8.67
32320	T2GD100	100	215	77.5	570	770	73	4	60	3	12.7

Tapered Roller Bearing (Inch Size)

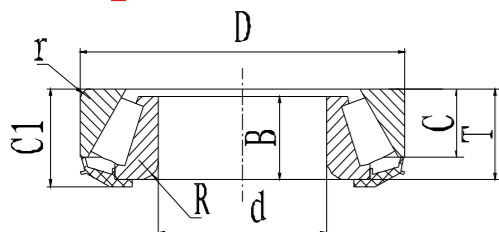


Bearing Number	Assembly Number	Boundary Dimensions (mm)			Basic Load Ratings (kN)		Cone		Cup		Weight (Kg) (Approx.)
		d	D	T	Dynamic Cr	Static Cor	B	R	C	r	
11590/20		15.875	42.862	14.288	17.1	17.9	14.288	1.5	9.525	1.5	0.102
LM11749/10	A1	17.462	39.878	13.843	23	23.2	14.605	1.3	10.668	1.3	0.084
A6075/6157		19.050	39.992	12.014	12.3	12.4	11.153	1	9.525	1.3	0.07
LM11949/10	A2	19.050	45.237	15.494	27.5	29.5	16.637	1.3	12.065	1.3	0.12
09067/195		19.050	49.225	18.034	38.5	39	19.05	1.3	14.288	1.3	0.176
09067/196		19.050	49.225	21.209	38.5	39	19.05	1.5	17.462	1.3	0.2
09078/195		19.050	49.225	19.845	38.5	39	21.539	1.3	14.288	1.3	0.19
LM12748/10	A34	21.430	45.237	15.494	28	32	16.637	1.3	12.065	1.3	0.12
M12649/10	A3	21.430	50.005	17.526	37.5	40	18.288	1.3	13.97	1.3	0.172
LM12749/10	A12	21.986	45.237	15.494	29.6	34	16.637	1.3	12.065	1.3	0.116
LM12749/11	A16	21.986	45.974	15.494	29.6	34	16.637	1.3	12.065	1.3	0.121
M12648/10		22.225	50.005	17.526	38	39	18.288	1.3	13.97	1.3	0.173
1380/28		22.225	52.388	19.368	40.5	43	20.168	1.5	14.288	1.5	0.198
LM72849/10		22.606	47.000	15.5	27.5	32.5	15.5	1	12	1.5	0.125
07093/07196		23.812	50.005	13.495	27	29.6	14.26	1.5	9.525	1	0.12
32005X/VB015		25.000	47.000	15	27.8	33.5	15	2.5	11.5	1	0.11
07100/96	A19	25.400	50.005	13.495	27	29.6	14.26	1	9.525	1	0.11
L44643/10	A14	25.400	50.292	14.224	28.8	34	14.732	1.3	10.668	1.3	0.13
M84548/10		25.400	57.150	19.431	42	48.5	19.431	1.5	14.732	1.5	0.24
M84249/10		25.400	59.530	23.368	42.6	50.1	23.114	0.8	18.288	1.5	0.32

Bearing Number	Assembly Number	Boundary Dimensions (mm)			Basic Load Ratings (kN)		Cone		Cup		Weight (Kg) (Approx.)
		d	D	T	Dynamic Cr	Static Cor	B	R	C	r	
15101/243		25.400	61.912	19.05	46.5	54	20.638	1.3	14.288	0.8	0.29
15100/245		25.400	62.000	19.05	46.5	54	20.638	3.5	14.288	1.3	0.29
15101/245	SET73	25.400	62.000	19.05	42.7	50.9	20.638	3.5	14.288	1.3	0.295
M86643/10		25.400	64.292	21.433	51.5	64.5	21.433	1.5	16.67	1.5	0.36
CBK-171		26.000	52.000	15	25.9	31.2	14.26	3.2	12.7	2	0.14
15103/245		26.157	62.000	19.05	46.5	54	20.638	1.3	14.288	0.8	0.29
15103S/15243		26.162	61.912	19.05	48.4	57	19.939	2	14.288	0.8	0.29
L44649/10	A4	26.988	50.292	14.224	28.8	34	14.732	3.5	10.668	1.3	0.115
15106/245	SET51	26.988	62.000	19.05	46.5	54	20.638	1.3	14.288	0.8	0.291
320/28X	A32	28.000	52.000	16	33	40.5	16	1	12	1	0.146
JLM67042/LM76010	SET30	28.000	57.150	17.462	36.5	44.6	17.462	3.5	13.495	1.5	0.27
1988/22	A21	28.575	57.150	19.845	47.3	55	19.355	3.5	15.875	1.5	0.22
M86647/10	SET65	28.575	64.292	21.433	49.5	61	21.433	1.5	16.67	1.5	0.35
02872/20	SET50	28.575	73.025	22.225	56.5	68	22.225	3.3	17.462	0.8	0.48
L45449/10	A15	29.000	50.292	14.224	28	35.5	14.732	3.5	10.668	1.3	0.11
14117A/276		30.000	69.012	19.845	48.5	58	19.583	3.5	15.875	1.3	0.369
M86649/10		30.162	64.292	21.433	51.5	64.5	21.433	1.5	16.67	1.5	0.33
LM67048/10	A6	31.750	59.131	15.875	34.5	41	16.764	Spec	11.811	1.3	0.18
LM67045/10	A29	31.750	59.131	15.875	36.5	44.6	18.57	Spec	11.811	1.3	0.18
15123/245		31.750	62.000	18.161	46.5	54	19.05	Spec	14.288	1.3	0.237
15125/245		31.750	62.000	19.05	46.5	54	20.638	3.5	14.288	1.3	0.24
15126/245		31.750	62.000	19.05	46.5	54	20.638	1.3	14.288	0.8	0.25
14125A/276		31.750	69.012	19.845	50.6	61.7	19.583	3.5	15.875	1.3	0.34
HM88542/10	SET81	31.750	73.025	29.37	70.4	95	27.783	3.3	23.02	1.3	0.62
JL26749/10	A39	32.000	53.000	14.5	26.2	36.5	15	3.5	11.5	1.3	0.121
320/32DX	A33	32.000	58.000	17	37	46.5	17	3.3	13	1.5	0.181
320/32C		32.000	58.000	17	37	46.5	17	3.5	13	1	0.182
M88048/10	SET63	33.338	68.262	22.225	56.5	71	22.225	1.5	17.462	0.8	0.379
31594/20	SET57	34.920	76.200	29.37	80.5	96.5	28.575	3.3	23.812	1.5	0.627
LM48548/11A	SET60	34.925	65.088	21.082	50.5	63.1	18.288	Spec	17.018	1.5	0.29
LM48548/10	A5	34.925	65.088	18.034	46.5	56	18.288	Spec	13.97	1.3	0.248
LM48548A/11A	SET59	34.925	65.088	21.082	50.5	63.1	18.288	1.3	17.016	1.5	0.28
LM48548A/10	SET58	34.925	65.088	18.034	46.5	56	18.288	1.3	13.97	0.8	0.252
14137A/276		34.925	69.012	19.845	48.5	58	19.583	3.5	15.875	1.3	0.32
HM88649/10	SET67	34.925	72.233	25.4	65	84.5	25.4	2.3	19.842	2.3	0.489
2878/20		34.925	73.025	22.225	62.5	75.5	23.812	3.3	17.462	0.8	0.42
25877/21		34.925	73.025	23.812	72.1	88	24.608	1.5	19.05	0.8	0.47
3379/20		34.925	80.167	29.37	95	112	30.391	3.5	23.812	3.3	0.732
3872/20		34.925	85.725</								

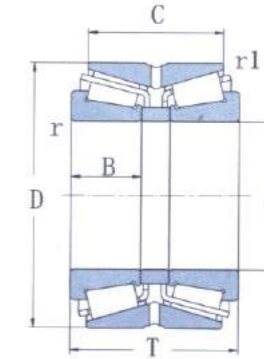
Bearing Number	Assembly Number		Boundary Dimensions (mm)			Basic Load Ratings (kN)		Cone		Cup		Weight (Kg) (Approx.)
			d	D	T	Dynamic Cr	Static Cor	B	R	C	r	
LM603049/11	A37	SET37	45.242	77.788	19.842	57.5	73.5	19.842	3.5	15.08	0.8	0.363
25590/23		SET55	45.618	82.931	26.988	76	98	25.4	3.5	22.225	1.5	0.588
25590/20		SET54	45.618	82.931	23.812	76	98	25.4	3.5	19.05	0.8	0.544
25590/22			45.618	83.058	23.876	76	98	25.4	3.5	19.114	2	0.55
25592/20			46.038	82.931	23.812	76	98	25.4	3.5	19.05	0.8	0.53
359A/354A			46.038	85.000	20.638	69.5	79.5	21.692	3.5	17.462	1.3	0.48
JLM104946/10Z	A40	SET26	50.000	82.000	21.5	67.3	95.3	21.5	3	17	0.5	0.44
JLM104948/10			50.000	82.000	21.5	67.3	95.3	21.5	3	17	0.5	0.42
JM205149/10			50.000	90.000	28	106.5	140	28	3	23	2.5	0.752
LM104949/JLM104910		SET82	50.800	82.000	21.5	69.5	94	22.225	3.5	17	0.5	0.429
LM104949/11	A38	SET38	50.800	82.550	21.59	69.5	94	22.225	3.5	16.51	1.3	0.419
18790/20			50.800	85.000	17.462	49.5	65	17.462	3.5	13.495	1.5	0.374
368/362A			50.800	88.900	20.638	76.5	90.5	22.225	1.5	16.513	1.3	0.516
368A/362			50.800	90.000	20	76.5	90.5	22.225	3.5	15.875	2	0.51
3780/20			50.800	93.264	30.162	102	134	30.302	3.5	23.812	3.3	0.848
45284/20		SET410	50.800	104.775	30.162	130	173	30.985	6.4	23.812	3.3	1.22
55200C/55437		SET78	50.800	111.125	30.162	118	161	26.909	3.5	20.638	3.3	1.08
368S/362		SET66	51.592	90.000	20.638	79.9	92.9	22.225	2	16.513	2	0.507
28584/21			52.388	92.075	24.608	83.5	116	25.4	3.5	19.845	0.8	0.677
JLM506848E(2)/JLM506810(2)	A22	SET25	55.000	90.000	23	80	113.2	26	3.5	18.5	0.5	0.576
JLM506849A/11	A42		55.000	90.000	23	80	113.2	23	1.5	18.5	0.5	0.576
JM207049/10			55.000	95.000	29	121	168	29	1.5	23.5	2.5	0.82
387/382A			57.150	96.838	21	78	96.5	21.946	3.5	15.875	2.3	0.583
387A/382S		SET75	57.150	96.838	25.4	80.9	102	21.946	3.5	20.274	2.3	0.65
387A/382A		SET74	57.150	96.838	21	78	96.5	21.946	3.5	15.875	0.8	0.581
387AS/382A		SET76	57.150	96.838	21	78	96.5	21.946	5	15.875	0.8	0.576
28682/22		SET407	57.150	97.630	24.608	88.5	128	24.608	3.5	19.446	0.8	0.747
45291/20		SET416	57.150	104.775	30.162	127.2	167.6	30.958	6.4	23.812	3.3	1.09
39581/20			57.150	112.712	30.162	142	204	30.162	8	23.812	3.3	1.38
388A/382		SET77	57.531	98.425	21	80.9	102	21.946	3.5	17.825	0.8	0.61
28985/20			60.325	101.600	25.4	85.8	125	25.4	3.5	19.845	3.3	0.81
H715334/11		SET418	61.912	136.525	46.038	229	375	46.038	3.5	36.512	3.3	3.47
395/394A			63.500	110.000	22	88	118	21.996	3.5	18.824	1.3	0.847
3982/20			63.500	112.712	30.162	123	183	30.048	3.5	23.812	3.3	1.2
HM212047/11		SET412	63.500	122.238	38.1	209	279	38.354	7	29.718	3.3	1.94
JH211749/10			65.000	120.000	39	187	265	38.5	3	32	2.5	1.9
H212749/10			66.000	124.000	41.5	224	310	41.5	7	34	3.5	2.2
29590/20			66.675	107.950	25.4	102	158	25.4	3.5	19.05	3.3	0.86
39590/20		SET408	66.675	112.712	30.162	142	204	30.162	3.5	23.812	3.3	1.19
3984/20			66.675	112.712	30.162	123	183	30.048	3.5	23.812	3.3	1.18
HM212049/10			66.675	122.238	38.1	187	244	38.354	3.5	29.718	1.5	1.85
HM212049/11		SET413	66.675	122.238	38.1	187	244	38.354	3.5	29.718	3.3	1.85
641/632			66.675	136.525	41.275	194	262	41.275	3.3	31.75	3.5	2.75
H715343/11		SET419	68.262	136.525	46.038	229	375	46.038	3.5	36.512	3.3	3.24
33275/462			69.850	117.475	30.162	123	190	30.162	3.5	23.812	3.3	1.28
643/632			69.850	136.525	41.275	194	262	41.275	3.5	31.75	3.3	2.63
33287/462			73.025	117.475	30.162	117	175	30.162	3.5	23.812	3.3	1.2
HM215249/10			76.000	132.000	39	222	324	39	7	32	3.5	2.11
42687/20			76.200	127.000	30.162	138	204	31	3.5	22.225	3.3	1.46
JM515649/10			80.000	130.000	35	166	249	34	3	28.5	2.5	1.73
740/742			80.962	150.089	44.45	261	360	46.672	5	36.512	3.3	3.43
27687/20			82.550	125.412	25.4	112	168	25.4	3.5	19.845	1.5	1.07
47686/20		SET411	82.550	133.350	33.338	153	235	33.338	3.5	26.195	3.3	1.72
580/572		SET401	82.550	139.992	36.512	178	265	36.098	3.5	28.575	3.3	2.22
663/653		SET405	82.550	146.050	41.275	206	295	41.275	3.5	31.75	3.3	2.74
749A/742			82.550	150.089	44.45	261	360	46.672	3.5	36.512	3.3	3.4
749/742			85.026	150.089	44.45	261	360	46.672	3.5	36.512	3.3	3.25
497/493		SET68	85.725	136.525	30.162	145	220	28.789	3.5	22.225	3.3	1.55
665/653			85.725	146.050	41.275	220	320	41.275	3.5	31.75	3.3	2.65
HM518445/10		SET415	88.900	152.400	39.688	247.2	375	39.688	3.5	30.163	3.3	2.84
759/752			88.900	161.925	47.625	270	385	48.26	3.5	38.1	3.3	4.09
HM218248/10		SET414	89.975	146.975	40	227	340	40	7	32.5	3.5	2.55
JM718149A/JM718110			90.000	145.000	35	189	279	34	2.5	27	2	2.13
47890/20		SET417	92.075	146.050	33.338	165	270	34.925	3.5	26.195	3.3	2.08
598A/592A		SET404	92.075	152.400	39.688	180	279	36.322	6.4	30.162	3.3	2.63
594A/592A		SET403	95.250	152.400	39.688	194	305	36.322	5	30.162	3.3	2.51
HM220149/10			100.000	157.000	42	246	400	42	8	34	3.5	2.82
56425/56650		SET79	107.950	165.100	36.512	209	355	36.512	3.5	26.988	3.3	2.69

Tapered Roller Bearing (with seal)



Bearing Number	Boundary Dimensions(mm)							Weight(Kg) (Approx.)
	d	D	T	B	C1	R min	r min	
LM11949RS/10	19.05	45.237	15.494	16.637	12.065	1.3	1.3	0.13
L44643RS/10	25.4	50.295	14.224	14.732	16.3	1.3	1.3	0.14
LM67048RS/10	31.75	59.131	15.875	16.764	11.811	Spec	1.3	0.44

Double Row Tapered Roller Bearing

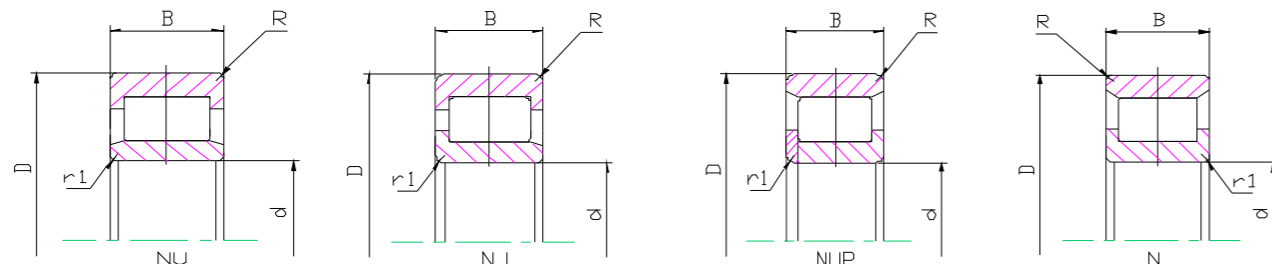


Bearing Number		Boundary Dimensions (mm)							Basic Load Ratings (KN)		Limiting Speeds		Weight (Kg) (Approx.)
new	Old	d	D	T	B	C	Rmin	r min	Dynamic Cr	Static Cor	Grease	Oil	
352210	97510E	50	90	55	23	43.5	1.5	0.3	136	216	3200	4000	1.36
352213	97513E	65	120	73	31	61.5	2	0.5	264	445	2400	3000	3.35
352214X	432214U	70	125	74	31	61.5	2	0.5	276	480	2200	2800	3.61
352214	97514E	70	125	74	31	61.5	2	0.6	276	480	2200	2800	3.56
	97515	75	130	75	31	62	2	0.5	243	430	2200	2600	3.75
352216	97516E	80	140	78	33	63.5	2.5	0.6	325	560	2000	2400	4.52
	97516	80	140	80	33	65	2.5	0.6	325	565	2000	2400	4.25
	97517	85	150	85	37.5	65	2.5	0.6	372	655	1800	2400	5.79
352217	97517E	85	150	86	36	69	2.5	0.6	372	655	1800	2400	5.83
351317	297317E	85	180	99	41	66	4	1	415	635	1600	2000	10.8
352218	97518E	90	160	94	40	77	2.5	0.6	445	800	1700	2200	7.36
	97518	90	160	95	40	78	2.5	0.6	445	800	1700	2200	7.49
352220	97520E	100	180	107	46	87	3	1	560	1025	1500	1900	10.8
	97520	100	180	112	46	92	3	0.8	470	880	1500	1900	10
100KBE42+LA		100	180	83	34	67	3	0.8	375	615	1500	1900	7.81
	37720	100	190	125	62.5	100	3	1	585	1065	1400	1800	15
	97521	105	190	118	50	96	3	1	545	1035	1400	1800	12.6
352122	2097722	110	180	95	42	76	2	0.6	435	865	1400	1900	8.64
352222	97522E	110	200	121	53	101	3	1	710	1340	1300	1700	16
	97522	110	200	125	53	102	3	1	605	1135	1300	1700	14.3
352222x2	BT28328947-TD0 / D3	110	200	90	38	72	3	0.8	520	895	1400	1700	11.3
	97222E	110	200	92	38	73.5	3	1	520	895	1300	1700	11.5
352124	2097724												

Bearing Number		Boundary Dimensions (mm)							Basic Load Ratings (KN)		Limiting Speeds		Weight (Kg)
new	Old	d	D	T	B	C	Rmin	r min	Dynamic Cr	Static Cor	Grease	Oil	(Approx.)
	2097938	190	260	95	42	75	2.5	0.6	540	1305	800	1000	13.4
	2097938K	190	260	95	42	75	2.5	0.6	540	1305	800	1000	13.4
	2097138	190	290	134	60	104	3	1	850	1875	750	950	26.8
352038	2097138E	190	290	142	64	110	3	1	1020	2350	850	1000	30.4
352138	2097738	190	320	170	76	130	3	0.8	1200	2530	800	1000	46.5

Cylindrical Roller Bearings

NU, NJ, NUP, N Series



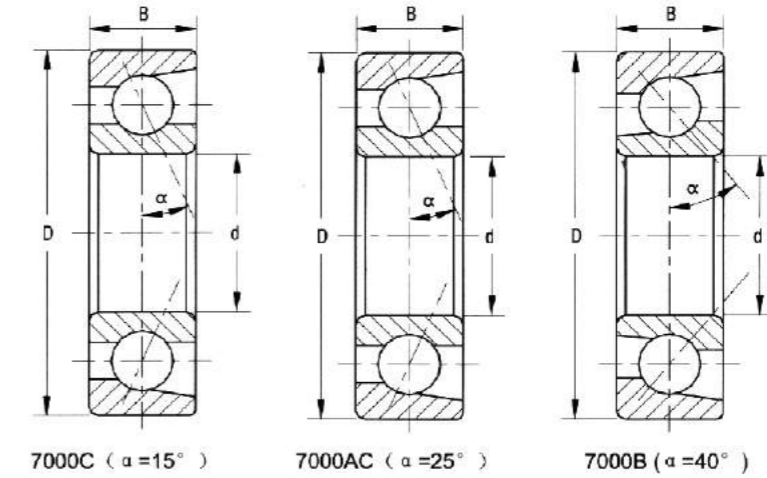
Bearing Number				Boundary Dimensions (mm)					Basic Load Ratings (KN)		Limiting Speeds (rpm)		Weight (Kg)
NU	NJ	NUP	N	d	D	B	rs min	rs1 min	Dynamic Cr	Static Cor	Grease	Oil	(Approx.)
NU204E	NJ204E	NUP204E		20	47	14	1	0.6	25.7	22.6	15,000	18,000	0.122
NU2204E		NUP2204E		20	47	18	1	0.6	30.5	28.3	14,000	16,000	0.158
NU304E	NJ304E	NUP304E		20	52	15	1.1	0.6	31.5	26.9	13,000	15,000	0.176
NU2304E	NJ2304E	NUP2304E		20	52	21	1.1	0.6	42	39	12,000	14,000	0.242
NU1005	NJ1005	NUP1005	N1005	25	47	12	0.6	0.3	15.1	14.1	16,000	19,000	0.092
NU205E	NJ205E	NUP205E		25	52	15	1	0.6	29.3	27.7	13,000	15,000	0.151
NU2205E		NUP2205E		25	52	18	1	0.6	35	34.5	11,000	13,000	0.186
NU305E	NJ305E	NUP305E		25	62	17	1.1	1.1	41.5	37.5	11,000	13,000	0.275
NU2305E	NJ2305E	NUP2305E		25	62	24	1.1	1.1	57	56	9,700	11,000	0.386
NU1006	NJ1006	NUP1006	N1006	30	55	13	1	0.6	19.7	19.6	14,000	16,000	0.13
NU206E	NJ206E	NUP206E		30	62	16	1	0.6	39	37.5	11,000	13,000	0.226
NU2206E		NUP2206E		30	62	20	1	0.6	49	50	9,700	11,000	0.297
NU306E	NJ306E	NUP306E		30	72	19	1.1	1.1	53	50	9,300	11,000	0.398
NU2306E	NJ2306E	NUP2306E		30	72	27	1.1	1.1	74.5	77.5	8,300	9,700	0.58
NU1007	NJ1007	NUP1007	N1007	35	62	14	1	0.6	22.6	23.2	12,000	15,000	0.179
NU207E	NJ207E	NUP207E		35	72	17	1.1	0.6	50.5	50	9,500	11,000	0.327
NU2207E	NJ2207E	NUP2207E		35	72	23	1.1	0.6	61.5	65.5	8,500	10,000	0.455
NU307E	NJ307E	NUP307E		35	80	21	1.5	1.1	71	71	8,100	9,600	0.545
NU2307E	NJ2307E	NUP2307E		35	80	31	1.5	1.1	99	109	7,200	8,500	0.78
NU1008	NJ1008	NUP1008	N1008	40	68	15	1	0.6	27.3	29	11,000	13,000	0.22
NU208	NJ208	NUP208	N208	40	80	18	1.1	1.1	43.5	43	9,400	11,000	0.378
NU208E	NJ208E	NUP208E		40	80	18	1.1	1.1	55.5	55.5	8,500	10,000	0.426
NU2208	NJ2208	NUP2208	N2208	40	80	23	1.1	1.1	58	62	8,500	10,000	0.49
NU2208E	NJ2208E	NUP2208E		40	80	23	1.1	1.1	72.5	77.5	7,600	8,900	0.552
NU308	NJ308	NUP308	N308	40	90	23	1.5	1.5	58.5	57	8,000	9,400	0.658
NU308E	NJ308E	NUP308E		40	90	23	1.5	1.5	83	81.5	7,200	8,500	0.754
NU2308	NJ2308	NUP2308	N2308	40	90	33	1.5	1.5	82.5	88	7,000	8,200	0.951
NU2308E	NJ2308E	NUP2308E		40	90	33	1.5	1.5	114	122	6,400	7,500	1.06
NU1009	NJ1009	NUP1009	N1009	45	75	16	1	0.6	31	34	9,900	12,000	0.28
NU209	NJ209	NUP209	N209	45	85	19	1.1	1.1	46	47	8,400	9,900	0.432
NU209E	NJ209E	NUP209E		45	85	19	1.1	1.1	63	66.5	7,600	9,000	0.495
NU2209	NJ2209	NUP2209	N2209	45	85	23	1.1	1.1	61.5	68	7,600	9,000	0.53
NU2209E	NJ2209E	NUP2209E		45	85	23	1.1	1.1	76	84.5	6,800	8,000	0.6
NU309	NJ309	NUP309	N309	45	100	25	1.5	1.5	74	71	7,200	8,400	0.877
NU309E	NJ309E	NUP309E		45	100	25	1.5	1.5	97.5	98.5	6,500	7,600	0.996
NU2309	NJ2309	NUP2309	N2309	45	100	36	1.5	1.5	99	104	6,300	7,400	1.27
NU2309E	NJ2309E	NUP2309E		45	100	36	1.5	1.5	137	153	5,700	6,800	1.41
NU1010	NJ1010	NUP1010	N1010	50	80	16	1	0.6	32	36	8,900	11,000	0.295
NU210	NJ210	NUP210	N210	50	90	20	1.1	1.1	48	51	7,600	9,000	0.47
NU210E	NJ210E	NUP210E		50	90	20	1.1	1.1	66	72	6,900	8,100	0.54
NU2210	NJ2210	NUP2210	N2210	50	90	23	1.1	1.1	64	73.5	6,900	8,100	0.571
NU2210E	NJ2210E	NUP2210E		50	90	23	1.1	1.1	79.5	91.5	6,200	7,300	0.652
NU310	NJ310	NUP310	N310	50	110	27	2	2	87	86	6,500	7,700	1.14
NU310E	NJ310E	NUP310E		50	110	27	2	2	110	113	5,900	6,900	1.3
NU2310E	NJ2310E	NUP2310E		50	110	40	2	2	163	187	5,200	6,100	1.9
NU2310	NJ2310	NUP2310	N2310	50	110	40	2	2	121	131	5,700	6,700	1.7
NU1011	NJ1011	NUP1011	N1011	55	90	18	1.1	1	37.5	44	8,200	9,700	0.442
NU211	NJ211	NUP211	N211	55	100	21	1.5	1.1	58	62.5	6,900	8,200	0.638
NU211E	NJ211E	NUP211E		55	100	21	1.5	1.1	82.5	93	6,300	7,400	0.718
NU2211	NJ2211	NUP2211	N2211	55	100	25	1.5	1.1	75.5	87	6,300	7,400	0.773
NU2211E	NJ2211E	NUP2211E		55	100	25	1.5	1.1	97	114	5,600	6,600	0.968
NU311	NJ311	NUP311	N311	55	120	29	2	2	111	111	5,900	7,000	1.45

Bearing Number				Boundary Dimensions (mm)					Basic Load Ratings (KN)		Limiting Speeds (rpm)		Weight (Kg)
NU	NJ	NUP	N	d	D	B	rs min	rs1 min	Dynamic Cr	Static Cor	Grease	Oil	(Approx.)
NU311E	NJ311E	NUP311E		55	120	29	2	2	137	143	5,300	6,300	1.65
NU2311	NJ2311	NUP2311	N2311	55	120	43	2	2	148	162	5,200	6,100	2.17
NU2311E	NJ2311E	NUP2311E		55	120	43	2	2	201	233	4,700	5,600	2.37
NU1012	NJ1012	NUP1012	N1012	60	95	18	1.1	1	40	48.5	7,500	8,800	0.474
NU212	NJ212	NUP212	N212	60	110	22	1.5	1.5	68.5	75	6,400	7,600	0.818
NU212E	NJ212E	NUP212E		60	110	22	1.5	1.5	97.5	107	5,800	6,800	0.923
NU2212	NJ2212	NUP2212	N2212	60	110	28	1.5	1.5	96	116	5,800	6,800	1.06
NU2212E	NJ2212E	NUP2212E		60	110	28	1.5	1.5	131	157	5,200	6,100	1.21
NU312	NJ312	NUP312	N312	60	130	31	2.1	2.1	124	126	5,500	6,500	1.8
NU312E	NJ312E	NUP312E		60	130	31	2.1	2.1	150	157	4,900	5,800	2.05
NU2312	NJ2312	NUP2312	N2312	60	130	46	2.1	2.1	169	188	4,800	5,700	2.71
NU2312E	NJ2312E	NUP2312E		60	130	46	2.1	2.1	222	262	4,400	5,200	2.96
NU1013	NJ1013	NUP1013	N1013	65	100	18	1.1	1	41	51	7,000	8,200	0.485
NU213	NJ213	NUP213	N213	65	120	23	1.5	1.5	84	94.5	5,900	7,000	1.02
NU213E	NJ213E	NUP213E		65	120	23	1.5	1.5	108	119	5,400	6,300	1.21
NU2213	NJ2213	NUP2213	N2213	65	120	31	1.5	1.5	120	149	5,400	6,300	1.4
NU2213E	NJ2213E	NUP2213E		65	120	31	1.5	1.5	149	181	4,800	5,600	1.6
NU313	NJ313	NUP313	N313	65	140	33	2.1	2.1	135	139	5,100	6,000	2.23
NU313E	NJ313E	NUP313E		65	140	33	2.1	2.1	181	191	4,600	5,400	2.54
NU2313E	NJ2313E	NUP2313E		65	140	48	2.1	2.1	248	287	4,100	4,800	3.48
NU2313	NJ2313	NUP2313	N2313	65	140	48	2.1	2.1	188	212	4,400	5,200	3.27
NU1014	NJ1014	NUP1014	N1014	70	110	20	1.1	1	58.5	70.5	6,500	7,600	0.699
NU214	NJ214	NUP214	N214	70	125	24	1.5	1.5	83.5	95	5,500	6,500	1.12
NU214E	NJ214E	NUP214E		70	125	24	1.5	1.5	119	137	5,000	5,900	1.3
NU2214	NJ2214	NUP2214	N2214	70	125	31	1.5	1.5	119	151	5,000	5,900	1.47
NU2214E	NJ2214E	NUP2214E		70	125	31	1.5	1.5	156	194	4,500	5,200	1.7
NU314	NJ314	NUP314	N314	70	150	35	2.1	2.1	158	168	4,700	5,500	2.71
NU314E	NJ314E	NUP314E		70	150	35	2.1	2.1	205	222	4,200	5,000	3.1
NU2314	NJ2314	NUP2314	N2314	70	150	51	2.1	2.1	223	262	4,100	4,800	3.98
NU2314E	NJ2314E	NUP2314E		70	150	51	2.1	2.1	274	325	3,800	4,400	4.25
NU1015	NJ1015	NUP1015	N1015	75	115	20	1.1	1	60	74.5	6,100	7,100	0.738
NU215	NJ215	NUP215	N215	75	130	25	1.5	1.5	96.5	111	5,100	6,000	1.23
NU215E	NJ215E	NUP215E		75	130	25	1.5	1.5	130	156	4,700	5,500	1.41
NU2215	NJ2215	NUP2215	N2215	75	130	31	1.5	1.5	130	162	4,700	5,500	1.55
NU2215E	NJ2215E	NUP2215											

Bearing Number				Boundary Dimensions (mm)					Basic Load Ratings (KN)		Limiting Speeds (rpm)		Weight (Kg)
NU	NJ	NUP	N	d	D	B	rs min	rs1 min	Dynamic Cr	Static Cor	Grease	Oil	(Approx.)
NU2220	NJ2220	NUP2220	N2220	100	180	46	2.1	2.1	258	340	3,500	4,100	4.57
NU2220E	NJ2220E	NUP2220E		100	180	46	2.1	2.1	335	445	3,100	3,600	5.01
NU320	NJ320	NUP320	N320	100	215	47	3	3	299	335	3,300	3,800	7.49
NU320E	NJ320E	NUP320E		100	215	47	3	3	380	425	2,900	3,500	8.57
NU2320	NJ2320	NUP2320	N2320	100	215	73	3	3	410	505	2,900	3,400	11.7
NU2320E	NJ2320E	NUP2320E		100	215	73	3	3	570	715	2,600	3,100	12.8
NU1021	NJ1021	NUP1021	N1021	105	160	26	2	1.1	105	142	4,300	5,100	1.84
NU221	NJ221	NUP221	N221	105	190	36	2.1	2.1	201	241	3,600	4,300	3.95
NU321	NJ321	NUP321	N321	105	225	49	3	3	320	360	3,100	3,700	8.53
NU1022	NJ1022	NUP1022	N1022	110	170	28	2	1.1	131	174	4,100	4,800	2.33
NU222	NJ222	NUP222	N222	110	200	38	2.1	2.1	240	290	3,400	4,000	4.63
NU222E	NJ222E	NUP222E		110	200	38	2.1	2.1	293	365	3,100	3,700	4.27
NU2222	NJ2222	NUP2222	N2222	110	200	53	2.1	2.1	320	415	3,100	3,700	6.56
NU2222E	NJ2222E	NUP2222E		110	200	53	2.1	2.1	385	515	2,800	3,300	7.4
NU322	NJ322	NUP322	N322	110	240	50	3	3	360	400	3,000	3,500	10
NU322E	NJ322E	NUP322E		110	240	50	3	3	450	525	2,700	3,100	11.1
NU2322	NJ2322	NUP2322	N2322	110	240	80	3	3	605	790	2,600	3,100	17.1
NU2322E	NJ2322E	NUP2322E		110	240	80	3	3	675	880	2,400	2,800	19.4
NU1024	NJ1024	NUP1024	N1024	120	180	28	2	1.1	139	191	3,800	4,400	2.44
NU224	NJ224	NUP224	N224	120	215	40	2.1	2.1	260	320	3,200	3,700	5.57
NU224E	NJ224E	NUP224E		120	215	40	2.1	2.1	335	420	2,900	3,400	5.97
NU2224	NJ2224	NUP2224	N2224	120	215	58	2.1	2.1	350	460	2,900	3,400	8.19
NU2224E	NJ2224E	NUP2224E		120	215	58	2.1	2.1	450	620	2,600	3,000	9.18
NU324	NJ324	NUP324	N324	120	260	55	3	3	450	510	2,700	3,200	12.8
NU324E	NJ324E	NUP324E		120	260	55	3	3	530	610	2,400	2,800	13.9
NU2324E	NJ2324E	NUP2324E		120	260	86	3	3	795	1,030	2,200	2,500	26.1
NU2324	NJ2324	NUP2324	N2324	120	260	86	3	3	710	920	2,400	2,800	21.5
NU1026	NJ1026	NUP1026	N1026	130	200	33	2	1.1	172	238	3,400	4,000	3.69
NU226	NJ226	NUP226	N226	130	230	40	3	3	270	340	2,900	3,400	6.3
NU226E	NJ226E	NUP226E		130	230	40	3	3	365	455	2,600	3,100	6.9
NU2226	NJ2226	NUP2226	N2226	130	230	64	3	3	380	530	2,600	3,100	10.2
NU2226E	NJ2226E	NUP2226E		130	230	64	3	3	530	735	2,300	2,700	11.8
NU326	NJ326	NUP326	N326	130	280	58	4	4	560	665	2,500	2,900	17.4
NU326E	NJ326E	NUP326E		130	280	58	4	4	615	735	2,200	2,600	19.4
NU2326	NJ2326	NUP2326	N2326	130	280	93	4	4	840	1,130	2,200	2,600	26.9
NU2326E	NJ2326E	NUP2326E		130	280	93	4	4	920	1,230	2,000	2,300	30.9
NU1028	NJ1028	NUP1028	N1028	140	210	33	2	1.1	176	250	3,200	3,800	4.05
NU228	NJ228	NUP228	N228	140	250	42	3	3	310	400	2,700	3,100	7.88
NU228E	NJ228E	NUP228E		140	250	42	3	3	395	515	2,400	2,800	8.73
NU2228	NJ2228	NUP2228	N2228	140	250	68	3	3	445	635	2,400	2,800	12.9
NU2228E	NJ2228E	NUP2228E		140	250	68	3	3	575	835	2,100	2,500	15.8
NU328	NJ328	NUP328	N328	140	300	62	4	4	615	745	2,300	2,700	21.2
NU328E	NJ328E	NUP328E		140	300	62	4	4	665	795	2,100	2,400	23.2
NU2328	NJ2328	NUP2328	N2328	140	300	102	4	4	920	1,250	2,000	2,300	33.8
NU2328E	NJ2328E	NUP2328E		140	300	102	4	4	1,020	1,380	1,800	2,100	38.7
NU1030	NJ1030	NUP1030	N1030	150	225	35	2.1	1.5	202	294	3,000	3,500	4.77
NU230	NJ230	NUP230	N230	150	270	45	3	3	345	435	2,500	2,900	9.92
NU230E	NJ230E	NUP230E		150	270	45	3	3	450	595	2,200	2,600	11
NU2230	NJ2230	NUP2230	N2230	150	270	73	3	3	500	710	2,200	2,600	16.3
NJ2230E		NUP2230E		150	270	73	3	3	660	980	2,000	2,400	19.7
NU330	NJ330	NUP330	N330	150	320	65	4	4	665	805	2,100	2,500	25.3
	NJ330E			150	320	65	4	4	760	920	1,900	2,300	28.4
NU2330E	NUP2330E			150	320	108	4	4	1,160	1,600	1,700	2,000	47.2
NU2330		NUP2330	N2330	150	320	108	4	4	1,020	1,400	1,900	2,200	40.6

Angular Contact Ball Bearing

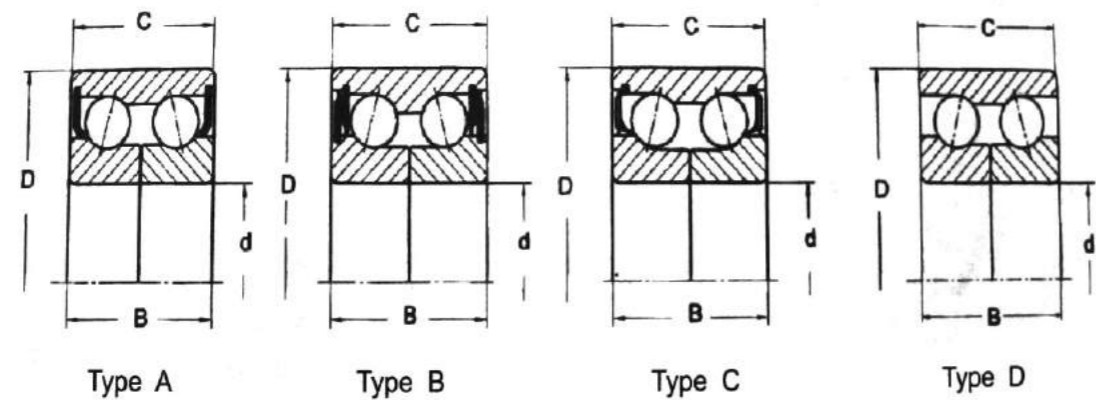
Single Row Angular Contact Ball Bearing



Bearing Number			Boundary Dimensions(mm)			Basic Load Ratings(KN)		Limited Speed(rpm)		Weight(kg)
C	AC	B	d	D	B	Dynamic Cr	Static Cor	Grease	Oil	≈
7000C	7000AC		10	26	8	4.9	2.1	24000	32000	0.019
7200C	7200AC	7200B		30	9	5.8	2.9	22000	28000	0.032
7300C	7300AC			35	11	9.8	4.6	18000	26000	0.053
7901C	7901AC		12	24	6	3.3	1.8	28000	36000	0.011
7001C	7001AC			28	8	5.4	2.6	22000	28000	0.021
7201C	7201AC	7201B		32	10	7.9	3.8	20000	25000	0.037
7301C	7301AC	7301B	15	37	12	11.8	5.6	17000	24000	0.06
7902C	7902AC			28	7	4.7	2.6	24000	32000	0.015
7002C	7002AC			32	9	6.2	3.3	19000	25000	0.03
7202C	7202AC	7202B	17	35	11	9.2	4.9	17000	22000	0.045
7302C	7302AC	7302B		42	13	13.2	6.7	15000	21000	0.084
7903C	7903AC			30	7	5	2.8	22000	30000	0.017
7003C	7003AC		20	35	10	6.6	3.6	16000	22000	0.04
7203C	7203AC	7203B		40	12	10.8	5.8	15000	20000	0.062
7303C	7303AC	7303B		47	14	15.7	8.2	13000	19000	0.065
7904C	7904AC		25	37	9	6.8	4.2	20000	28000	0.035
7004C	7004AC			42	12	10.4	6	14000	19000	0.064
7204C	7204AC	7204B		47	14	14.5	8.1	13000	18000	0.1
7304C	7304AC	7304B	30	52	15	18.4	9.8	12000	17000	0.15
7905C	7905AC			42	9	7.8	5.4	18000	26000	0.042
7005C	7005AC			47	12	11.6	7.4	12000	17000	0.074
7205C	7205AC	7205B	35	52	15	16.5	10	11000	16000	0.12
7305C	7305AC	7305B		62	17	27.8	15.9	9500	14000	0.23
7906C	7906AC			47	9	8.2	6.2	16000	24000	0.048
7006C	7006AC		40	55	13	15.1	10.2	9500	14000	0.11
7206C	7206AC	7206B		62	16	23	14.7	9000	13000	0.19
7306C	7306AC	7306B		72	19	33.2	21.2	8500	12000	0.35
7406C	7406AC	7406B	45	90	23	57.5	33.8	6500	8500	0.96
7907C	7907AC			55	10	12	9.1	14000	22000	0.075
7007C	7007AC			62	14	18.2	12.7	8500	12000	0.15
7207C	7207AC	7207B	50	72	17	30.3	20	8000	11000	0.28
7307C	7307AC	7307B		80	21	40.3	25.8	7500	10000	0.47
7407C	7407AC	7407B		100	25	66.8	41.2	5500	8000	1.14
7908C	7908AC		55	62	12	14.5	10.6	12000	20000	0.011
7008C	7008AC			68	15	19.7	14.9	8000	11000	0.18
7208C	7208AC	7208B		80	18	38.4	26.3	7500	10000	0.37
7308C	7308AC	7308B	60	90	23	49.3	32.3	6700	9000	0.66
7408C	7408AC	7408B		110	27	80.2	53.3	5200	7000	1.4
7909C	7909AC			68	12	16	12.6	10000	18000	0.013
7009C	7009AC		65	75	16	25.9	20.2	7500	10000	0.23
7209C	7209AC	7209B		85	19	40.4	29.3	6700	9000	0.41
7309C	7309AC	7309B		100	25	63.1	42.9	6000	8000	0.86
7409C	7409AC	7409B	70	120	29	93.1	60.8	5000	6500	1.8
7910C	7910AC			72	12	16.5	15	8000	16000	0.014
7010C	7010AC			80	16	26.6	21.8	6700	9000	0.25
7210C	7210AC	7210B	75	90	20	42.8	31.3	6300	8500	0.46
7310C	7310AC	7310B		110	27	74.9	50.9	5600	7500	1.08
7410C	7410AC	7410B		130	31	119.3	81	4500	6000	2.25
7911C	7911AC		80	80	13	19.1	17.8	7500	15000	0.183
7011C	7011AC			90	18	38.9	29.5	6000	8000	0.38
7211C	7211AC	7211B		100	21	53.2	39.9	5600	7000	0.61
7311C	7311AC	7311B	85	120	29	86.4	59.5	5000	6700	1.42
7411C										

Bearing Number			Boundary Dimensions(mm)				Basic Load Ratings(KN)		Limited Speed(rpm)		Weight(kg)
C	AC	B	d	D	B	Dynamic Cr	Static Cor	Grease	Oil	≈	
7913C	7913AC		65	90	13	20.3	20.5	6500	13000	0.212	
7013C	7013AC			100	18	40.1	35.3	5300	7000	0.43	
7213C	7213AC	7213B		120	23	66	52	4800	6300	1	
7313C	7313AC	7313B		140	33	108	76	4300	5600	2.23	
7413C	7413AC	7413B		160	37	147.4	110.2	3400	4800	4.2	
7914C	7914AC		70	100	16	28.1	27.5	6300	12000	0.342	
7014C	7014AC			110	20	48.3	43.1	5000	6700	0.6	
7214C	7214AC	7214B		125	24	72.8	59.7	4500	5800	1.1	
7314C	7314AC	7314B		150	35	126	91.6	4000	5300	2.67	
7414C	7414AC	7414B		180	42	160.4	126.6	3200	4500	5.8	
7915C	7915AC		75	105	16	28.6	29.2	6000	10000	0.036	
7015C	7015AC			115	20	49.6	45.9	4800	6300	0.63	
7215C	7215AC	7215B		130	25	79.2	65.6	4300	5600	1.2	
7315C	7315AC	7315B		160	37	140.7	103.9	3800	5000	3.1	
7415C	7415AC	7415B		190	45	171.4	138.9	3000	4200	7	
7916C	7916AC		80	110	16	29	30.5	5500	10000	0.381	
7016C	7016AC			125	22	58.9	54.7	4500	6000	0.85	
7216C	7216AC	7216B		140	26	92.5	66.2	4000	5300	1.45	
7316C	7316AC	7316B		170	39	156.1	112.2	3600	4800	3.6	
7416C	7416AC	7416B		200	48	183.2	152.9	2800	4000	7.4	
7917C	7917AC		85	120	18	39	40.5	5000	9000	0.542	
7017C	7017AC			130	22	58.1	55.9	4300	5600	0.89	
7217C	7217AC	7217B		150	28	99.7	84.6	3800	5000	1.8	
7317C	7317AC	7317B		180	41	160.7	130.5	3400	4500	4.38	
7417C	7417AC	7417B		210	52	195.1	167.6	2600	3700	9.6	
7918C	7918AC		90	125	18	41.2	46	5000	8500	0.56	
7018C	7018AC			140	24	71.7	68.7	4000	5300	1.15	
7218C	7218AC	7218B		160	30	128	111.7	3600	4800	2.25	
7318C	7318AC	7318B		190	43	184.9	159.9	3200	4300	5.6	
7418C	7418AC	7418B		225	54	208	184.2	2400	3400	11.2	
7919C	7919AC		95	130	18	42.5	48	4500	8500	0.604	
7019C	7019AC			145	24	73.5	73.1	3800	5000	1.2	
7219C	7219AC	7219B		170	32	134.6	112.2	3400	4500	2.7	
7319C	7319AC	7319B		200	45	201.1	179.8	3200	4200	6.6	
7920C	7920AC			100	140	20	48.5	52	4300	8200	0.808
7020C	7020AC		150		24	74.4	72.5	3800	5000	1.25	
7220C	7220AC	7220B	180		34	149.1	125.4	3200	4300	3.25	
7320C	7320AC	7320B	215		47	222.1	206.7	3000	4000	7.58	

Double Rows Angular Contact Ball Bearing(DAC series)



Bearing Number					Boundary Dimensions(mm)				Weight (Kg)	Seal
OUR REF	KOYO	SKF	FAG	Other Company	d	D	B	C	(Approx)	
DAC255200206		617546A			25	52	20.6	20.6	0.19	A
DAC25520037		445539A		566030	25	52	37	37	0.31	C
DAC27600050				513071 IR-8653	27	60	50	50	0.56	
DAC28580042	DAC28582RK				28	58	42	42	0.45	
DAC28610042	DAC286142AW				28	61	42	42	0.51	D
DAC30500020				DE0678CS12	30	50	20	20	0.2	
DAC30540024				DE0681CS16	30	54	24	24	0.25	
DAC30550030/25				ATV-BB-2	30	55	30	25	0.28	
DAC30600037	DAC3060372RS	305964EA			30	60	37	37	0.42	C
DAC30600337	DAC306W	633313C		529891AB 545312	30	60.03	37	37	0.42	C
DAC30630342	DAC3063W-1				30	63.03	42	42	0.54	D
DAC30640042					30	64	42	42	0.49	
DAC30650021		BB1B630374/ C4/614593			30	65	21	21	0.27	
DAC32730054	DAC3273W				32	73	54	54	0.98	
DAC34620037		309724B 311316B	531910 561447	IR-8051	34	62	37	37	0.41	C
DAC34640037	DAC3464G12RS	309726	532066DE 540466B	B-35	34	64	37	37	0.43	B

Bearing Number					Boundary Dimensions(mm)				Weight (Kg)	Seal
OUR REF	KOYO	SKF	FAG	Other Company	d	D	B	C	(Approx)	
DAC34660037		636114A	580400CA	IR-8622	34	66	37	37	0.5	C
DAC34680037	DAC3468DW				34	68	37	37	0.55	
DAC34680042	DAC34682RS				34	68	42	42	0.64	B
DAC35640037	DAC3564A-1			510014	35	64	37	37	0.41	B
DAC35650035		443952EA	546238A	IR-8042	35	65	35	35	0.4	C
DAC35660032		445980BA		IR-8091	35	66	32	32	0.42	
DAC35660033		633676		IR-8089	35	66	33	33	0.43	C
DAC35660037		311309	546238 544307	IR-8065	35	66	37	37	0.48	C
DAC35680037	DAC3568A2RS	633295 633528 633967	567918B 541153A	B-33	35	68	37	37	0.52	C
DAC35680233/30	DAC3568W-6			DAC3568W-6	35	68.02	33	30	0.47	D
DAC35720028		441832AB		IR-8028	35	72	28	28	0.48	
DAC35720033		446762 445535	548083	IR-8055	35	72	33	33	0.58	C
DAC35720034	DAC357234A	91051-692-008		B36	35	72	34	34	0.58	D
DAC35720233/31				DAC357233B-1W	35	72.02	33	31	0.56	D
DAC35720231	DAC357233B-W				35	72.02	31	31	0.56	
DAC35720433		633669		IR-8094	35	72.04	33	33	0.58	C
DAC35720434					35	72.04	34	34	0.58	D
DAC35770442	DAC3577W-3				35	77.04	42	42	0.86	D
DAC35618031	DAC3562AW				35	61.8	31	31	0.35	D
DAC35720045	DAC357245CW2RS				35	72	45	45	0.63	C
DAC35800047	DAC358047BW2RS				35	80	47	47	0.96	C
DAC35800045	DAC3580W-3HR4				35	80	45	45	1.1	
DAC36650037	DAC3665AW				36	65	37	37	0.45	D
DAC36680033	DAC3668AW				36	68	33	33	0.47	D
DAC36720534	DAC367234A	91051-689-003		B32	36	72.05	34	34	0.58	D
DAC36760029/27				DE0769	36	76	29	27		
DAC37720037		633541B	562398A		37	72	37	37	0.59	C
DAC37720237		BASB633028CB 445533A			37	72.02	37	37	0.59	C
DAC37720437		633028	562398		37	72.04	37	37	0.59	C
DAC37740045		309946AC	541521C	IR8513IR-8049	37	74	45	45	0.79	
DAC38720436/33	DAC3872W-3			51007 DAC3872W-3	37.99	72.04	36	33	0.54	
DAC38740236/33	DAC3874W-6			DAC3874W	37.99	74.02	36	33	0.58	
DAC38800236/33	DAC3880W-1				37.967	80.02	36	33	0.79	
DAC38710233/30	DAC3871W-2				37.99	71.02	33	30	0.5	D
DAC38700038	DAC3870BW			510012	38	70	38	38	0.55	B
DAC38720440				DE0871	38	72.04	40	40	0.7	
DAC38740036/33				514002	38	74	36	33	0.6	
DAC38740050					38	74	50	50	0.78	A
DAC38740450		559912		51008	38	74.04	50	50	0.85	
DAC38720034	DAC3872-A				38	72	34	34	0.59	D
DAC38720040	DAC3872W-10				38	72	40	40	0.63	B
DAC38730040	DAC3873-1				38	73	40	40	0.67	B
DAC39680037		311315DB 309692	540733 528810	B38	39	68	37	37	0.48	B
DAC39680637		311315BD			39	68.06	37	37	0.48	B
DAC39720037		311396 309639	542186A	B83A	39	72	37	37	0.56	B
DAC39720637			542186CA		39	72.06	37	37	0.56	
DAC39740039					39	74	39	39	0.66	
DAC3941750037		633815A	567447B		39/41	75	37	37	0.62	C
DAC40700043	DAC407043W				40	70	43	43	0.63	B
DAC40720037		311443B	566719B		40	72	37	37	0.55	
DAC40720036/33	DAC4072				40	72	36	33	0.53	D
DAC40720737				51004	40	72.07	37	37	0.55	
DAC40740036/34	DAC4074BW			DAC4074BW	40	74	36	34	0.58	
DAC40740040	DAC407440				40	74	40	40	0.63	B
DAC40740540				DE08A27	40	74.05	40	40	0.63	
DAC40750037		633966E			40	75	37	37	0.62	
DAC40760033/28		474743	539166AB	B39	40	76	33	28	0.54	A
DAC40760441/38				DE0891	40	76.04	41	38	0.7	
DAC408000302		440320H	523854 565636		40	80	30.2	30.2	0.69	
DAC40800031					40	80	31	31	0.71	
DAC40800036/34	DAC4080M1			513036	40	80	36	34	0.74	D
DAC40820040					40	82	40	40	0.79	
DAC40840338				IR-8638	40	84.025	38	38	0.97	
DAC42750037	DAC4275BW2RS	633457 311424 309245 633196	533953 545495D 521771	513102 513112 513106	42	75	37	37	0.59	C
DAC42750737		633791			42	75.07	37	37	0.59	
DAC42760038/35				IR-8650	42	76	38	35	0.71	
DAC42760039				513058	42	76	39	39	0.62	

Table with columns: Bearing Number (OUR REF, KOYO, SKF, FAG, Other Company), Boundary Dimensions (mm) (d, D, B, C), Weight (Kg) (Approx), and Seal. Lists various bearing models and their specifications.

Self-Aligning Ball Bearings 12(K), 13(K), 22(K), 23(K) Series

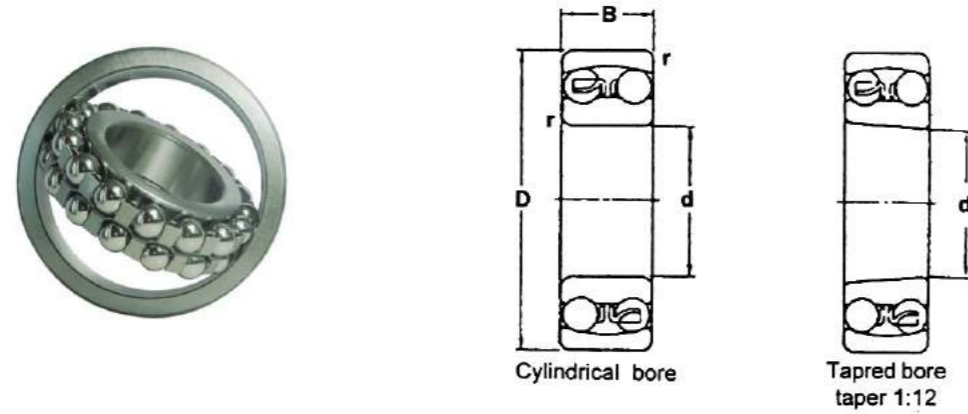
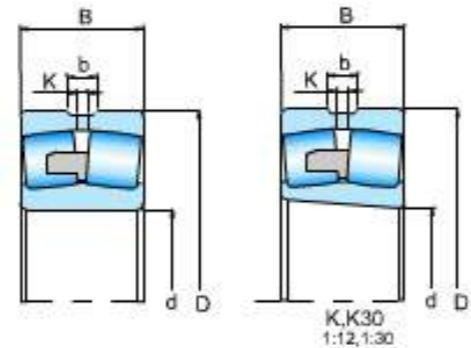


Table with columns: Bearing Number, Boundary Dimensions (mm) (d, D, B, rs min), Basic Load Ratings (kN) (Dynamic Cr, Static Cor), Limiting Speeds (rpm) (Grease, Oil), and Weight (Kg) (Cylindrical Bore, Tapered Bore). Provides detailed technical data for the 12(K), 13(K), 22(K), and 23(K) series.

Table with columns: Bearing Number, Boundary Dimensions (mm) (d, D, B, rs min), Basic Load Ratings (kN) (Dynamic Cr, Static Cor), Limiting Speeds (rpm) (Grease, Oil), and Weight (Kg) (Cylindrical Bore, Tapered Bore). Lists a wide range of bearing models and their specifications.

Spherical Roller Bearings



Bearing Number		Boundary Dimensions (mm)				Basic Load Ratings (kN)		Limiting Speeds (rpm)		Weight(Kg)	
Cylindrical Bore	Tapered Bore	d	D	B	rs min	Dynamic Cr	Static Cor	Grease	Oil	Cylindrical Bore	Tapered Bore
22205	22205K	25	52	18	1	36.5	36	6,500	10,000	0.186	0.182
22219	22219K	95	170	43	2.1	294	390	1,800	2,800	4.1	4.01
22219W33C3	22219KW33C3	95	170	43	2.1	294	390	1,800	2,800	4.1	4.01
22220	22220K	100	180	46	2.1	315	415	1,700	2,700	4.95	4.84
22220W33C3	22220KW33C3	100	180	46	2.1	315	415	1,700	2,700	4.95	4.84
22222	22222K	110	200	53	2.1	410	570	1,600	2,400	7.2	7.04
22222W33C3	22222KW33C3	110	200	53	2.1	410	570	1,600	2,400	7.2	7.04
22224	22224K	120	215	58	2.1	485	700	1,400	2,200	9.1	8.89
22224W33C3	22224KW33C3	120	215	58	2.1	485	700	1,400	2,200	9.1	8.89
22226	22226K	130	230	64	3	570	790	1,300	2,000	11.2	10.9
22226W33C3	22226KW33C3	130	230	64	3	570	790	1,300	2,000	11.2	10.9
22228	22228K	140	250	68	3	685	975	1,200	1,900	14	13.7
22228W33C3	22228KW33C3	140	250	68	3	685	975	1,200	1,900	14	13.7
22230	22230K	150	270	73	3	775	1,160	1,100	1,700	18.1	17.7
22230W33C3	22230KW33C3	150	270	73	3	775	1,160	1,100	1,700	18.1	17.7
22232	22232K	160	290	80	3	870	1,290	1,000	1,600	22.7	22.2
22232W33C3	22232KW33C3	160	290	80	3	870	1,290	1,000	1,600	22.7	22.2
22234	22234K	170	310	86	4	1,000	1,520	980	1,500	28	27.3
22234W33C3	22234KW33C3	170	310	86	4	1,000	1,520	980	1,500	28	27.3
22236	22236K	180	320	86	4	1,040	1,610	920	1,400	29.3	28.6
22236W33C3	22236KW33C3	180	320	86	4	1,040	1,610	920	1,400	29.3	28.6
22238	22238K	190	340	92	4	1,160	1,810	860	1,300	36.6	35.8
22238W33C3	22238KW33C3	190	340	92	4	1,160	1,810	860	1,300	36.6	35.8
22240	22240K	200	360	98	4	1,310	2,010	820	1,300	44	43
22240W33C3	22240KW33C3	200	360	98	4	1,310	2,010	820	1,300	44	43
22308	22308K	40	90	33	1.5	121	128	3,800	5,900	0.974	0.951
22324	22324K	120	260	86	3	880	1,120	1,300	2,000	21.5	21
22324W33C3	22324KW33C3	120	260	86	3	880	1,120	1,300	2,000	21.5	21
22326	22326K	130	280	93	4	1,000	1,290	1,200	1,800	26.8	26.2
22326W33C3	22326KW33C3	130	280	93	4	1,000	1,290	1,200	1,800	26.8	26.2
22328	22328K	140	300	102	4	1,130	1,460	1,100	1,700	33.8	33
22328W33C3	22328KW33C3	140	300	102	4	1,130	1,460	1,100	1,700	33.8	33
22330	22330K	150	320	108	4	1,270	1,750	1,000	1,600	42.7	41.8
22330W33C3	22330KW33C3	150	320	108	4	1,270	1,750	1,000	1,600	42.7	41.8
22332	22332K	160	340	114	4	1,410	1,990	940	1,500	50.8	49.7
22332W33C3	22332KW33C3	160	340	114	4	1,410	1,990	940	1,500	50.8	49.7
22334	22334K	170	360	120	4	1,540	2,180	880	1,400	59.8	58.5
22334W33C3	22334KW33C3	170	360	120	4	1,540	2,180	880	1,400	59.8	58.5
22336	22336K	180	380	126	4	1,740	2,560	830	1,300	70	68.5
22336W33C3	22336KW33C3	180	380	126	4	1,740	2,560	830	1,300	70	68.5
22338	22338K	190	400	132	5	1,870	2,790	780	1,200	81	79.3
22338W33C3	22338KW33C3	190	400	132	5	1,870	2,790	780	1,200	81	79.3
22340	22340K	200	420	138	5	2,040	3,050	740	1,100	93.2	91.2
22340W33C3	22340KW33C3	200	420	138	5	2,040	3,050	740	1,100	93.2	91.2
23022	23022K	110	170	45	2	282	455	1,800	2,800	3.71	3.58
23022W33C3	23022KW33C3	110	170	45	2	282	455	1,800	2,800	3.71	3.58
23024	23024K	120	180	46	2	296	495	1,700	2,600	4.05	3.9
23024W33C3	23024KW33C3	120	180	46	2	296	495	1,700	2,600	4.05	3.9
23026	23026K	130	200	52	2	375	620	1,500	2,300	5.9	5.69
23026W33C3	23026KW33C3	130	200	52	2	375	620	1,500	2,300	5.9	5.69
23028	23028K	140	210	53	2	405	690	1,400	2,200	6.35	6.12
23028W33C3	23028KW33C3	140	210	53	2	405	690	1,400	2,200	6.35	6.12
23030	23030K	150	225	56	2.1	445	775	1,300	2,000	7.73	7.45
23030W33C3	23030KW33C3	150	225	56	2.1	445	775	1,300	2,000	7.73	7.45
23032	23032K	160	240	60	2.1	505	885	1,200	1,900	9.42	9.09
23032W33C3	23032KW33C3	160	240	60	2.1	505	885	1,200	1,900	9.42	9.09
23034	23034K	170	260	67	2.1	630	1,080	1,100	1,800	12.7	12.3
23034W33C3	23034KW33C3	170	260	67	2.1	630	1,080	1,100	1,800	12.7	12.3
23036	23036K	180	280	74	2.1	740	1,290	1,100	1,700	16.7	16.1
23036W33C3	23036KW33C3	180	280	74	2.1	740	1,290	1,100	1,700	16.7	16.1
23038	23038K	190	290	75	2.1	755	1,350	1,000	1,600	17.7	17.1
23038W33C3	23038KW33C3	190	290	75	2.1	755	1,350	1,000	1,600	17.7	17.1
23040	23040K	200	310	82	2.1	915	1,620	960	1,500	22.7	21.9
23040W33C3	23040KW33C3	200	310	82	2.1	915	1,620	960	1,500	22.7	21.9

Bearing Number		Boundary Dimensions (mm)				Basic Load Ratings (kN)		Limiting Speeds (rpm)		Weight(Kg)	
Cylindrical Bore	Tapered Bore	d	D	B	rs min	Dynamic Cr	Static Cor	Grease	Oil	Cylindrical Bore	Tapered Bore
23230	23230K	150	270	96	3	935	1,460	1,000	1,600	24.1	23.4
23230W33C3	23230KW33C3	150	270	96	3	935	1,460	1,000	1,600	24.1	23.4
23232	23232K	160	290	104	3	1,050	1,660	960	1,500	30	29.1
23232W33C3	23232KW33C3	160	290	104	3	1,050	1,660	960	1,500	30	29.1
23234	23234K	170	310	110	4	1,180	1,960	910	1,400	36.8	35.7
23234W33C3	23234KW33C3	170	310	110	4	1,180	1,960	910	1,400	36.8	35.7
23236	23236K	180	320	112	4	1,230	2,000	850	1,300	39	37.8
23236W33C3	23236KW33C3	180	320	112	4	1,230	2,000	850	1,300	39	37.8
23238	23238K	190	340	120	4	1,400	2,330	790	1,200	47.6	46.2
23238W33C3	23238KW33C3	190	340	120	4	1,400	2,330	790	1,200	47.6	46.2
23240	23240K	200	360	128	4	1,610	2,640	750	1,200	57.2	55.5
23240W33C3	23240KW33C3	200	360	128	4	1,610	2,640	750	1,200	57.2	55.5
23126	23126K	130	210	64	2	495	795	1,300	2,000	8.47	8.2
23126W33C3	23126KW33C3	130	210	64	2	495	795	1,300	2,000	8.47	8.2
23128	23128K	140	225	68	2.1	540	895	1,200	1,800	10.2	9.86
23128W33C3	23128KW33C3	140	225	68	2.1	540	895	1,200	1,800	10.2	9.86
23130	23130K	150	250	80	2.1	730	1,190	1,100	1,700	15.6	15.1
23130W33C3	23130KW33C3	150	250	80	2.1	730	1,190	1,100	1,700	15.6	15.1
23132	23132K	160	270	86	2.1	840	1,370	1,000	1,600	19.8	19.2
23132W33C3	23132KW33C3	160	270	86	2.1	840	1,370	1,000	1,600	19.8	19.2
23134	23134K	170	280	88	2.1	885	1,490	960	1,500	21.5	20.8
23134W33C3	23134KW33C3	170	280	88	2.1	885	1,490	960	1,500	21.5	20.8
23136	23136K	180	300	96	3	1,030	1,730	900	1,400	25.1	24.2
23136W33C3	23136KW33C3	180	300	96	3	1,030	1,730	900	1,400	25.1	24.2
23138	23138K	190	320	104	3	1,190	2,020	850	1,300	35.3	34.2
23138W33C3	23138KW33C3	190	320	104	3	1,190	2,020	850	1,300	35.3	34.2
23140	23140K	200	340	112	3	1,350	2,270	800	1,200	43.3	42
23140W33C3	23140KW33C3	200	340	112	3	1,350	2,270	800	1,200	43.3	42
21308	21308K	40	90	23	1.5	88	90	3,200	4,900	0.705	0.694
21308W33C3	21308KW33C3	40	90	23	1.5	88	90	3,200	4,900	0.705	0.694
21309	21309K	45	100	25	1.5	102	106	2,900	4,400	0.927	0.912
21309W33C3	21309KW33C3	45	100	25	1.5	102	106	2,900	4,400	0.927	0.912
21310	21310K	50	110	27	2	118	127	2,600	4,000	1.21	1.19
21310W33C3	21310KW33C3	50	110	27	2	118	127	2,600	4,000	1.21	1.19
21311	21311K	55	120	29	2	145	163	2,400	3,700	1.71	1.69
21311W33C3	21311KW33C3	55	120	29	2	145	163	2,400	3,700	1.71	1.69
21312											

Bearing Number	Boundary Dimensions (mm)			Weight (Kg)
	d	D	T	
51115	75	100	19	0.392
51116	80	105	19	0.433
51117	85	110	19	0.46
51118	90	120	22	0.656
51120	100	135	25	1
51122	110	145	25	1.08
51124	120	155	25	1.2
51126	130	170	30	1.8
51128	140	180	31	2.1
51130	150	190	31	2.2
51132	160	200	31	2.3
51200	10	26	11	0.0293
51201	12	28	11	0.0324
51202	15	32	12	0.0444
51203	17	35	12	0.0506
51204	20	40	14	0.0733
51205	25	47	15	0.109
51206	30	52	16	0.138
51207	35	62	18	0.22
51208	40	68	19	0.27

Bearing Number	Boundary Dimensions (mm)			Weight (Kg)
	d	D	T	
51209	45	73	20	0.32
51210	50	78	22	0.39
51211	55	90	25	0.619
51212	60	95	26	0.69
51213	65	100	27	0.75
51214	70	105	27	0.79
51215	75	110	27	0.815
51216	80	115	28	0.925
51217	85	125	31	1.3
51218	90	135	35	1.77
51220	100	150	38	2.4
51222	110	160	38	2.6
51224	120	170	39	2.9
51226	130	190	45	4.32
51228	140	200	46	4.6
51230	150	215	50	5.8
51232	160	225	51	6.7
51304	20	47	18	0.15
51305	25	52	18	0.171
51306	30	60	21	0.265

Bearing Number	Boundary Dimensions (mm)			Weight (Kg)
	d	D	T	
51307	35	68	24	0.378
51308	40	78	26	0.55
51309	45	85	28	0.69
51310	50	95	31	1
51311	55	105	35	1.34
51312	60	110	35	1.43
51313	65	115	36	1.57
51314	70	125	40	1.95
51315	75	135	44	2.7
51316	80	140	44	2.8
51317	85	150	49	3.7
51318	90	155	50	3.9
51320	100	170	55	5.1
51322	110	190	63	7.9
51405	25	60	24	0.34
51406	30	70	28	0.36
51407	35	80	32	0.82
51408	40	90	36	1.18
51409	45	100	39	1.64
51410	50	110	43	1.99

Thrust Ball Bearing With Cover

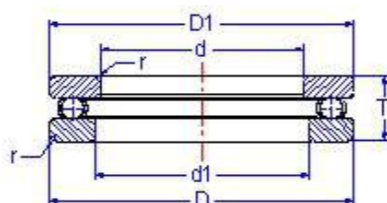


Bearing Number	Boundary Dimensions (mm)			Remark
	d	D	T	
JS0090900	28.3	63.5	18.2	
A10033	30.1	63.25	19.2	
198909	45.2	72.6	22.1	
198911	55	92	26.4	
98206	30	53	16	
T29	29	53.18	16	
619V	36.7	62.7	15.8	
MT16x26	16	26	10	
R511Z20	20	36.6	10.8	

Bearing Number	Boundary Dimensions (mm)			Remark
	d	D	T	
C-00178	31	67.8	16.2	
12.095/0	14	22	8	
20TAG11X	20.1	36.7	10.5	
5.47.00	25.2	43.6	12	
SKT-16	16.3	27	9	
SKT-10	10.3	17.1	6	
KT12E	12.3	22	8	
KT20	20.3	33	10	
KT26	26.3	43.5	11.8	

Bearing Number	Boundary Dimensions (mm)			Remark
	d	D	T	
20020B	19.5	41.28	13.5	
S-51108	40	61.6	13.8	
BR116	44.45	68.26	17.46	
BR102	25.53	45.12	15.87	
108810	50	97	32	
SP501	58	95.5	6.2	
T603	12.5	32	11	stainless steel
KB-313	24.3	43	15.8	
KB444	22.2	42.5	13.8	

Thrust Ball Bearing With Spherical Seat



Bearing Number	Boundary Dimensions(mm)				Weight (Kg)
	d	D	d1	T	
SKF 53201U	12	28	30	13	0.036
53202U	15	32	35	15	0.042
53203U	17	35	38	15	0.065
53204U	20	40	42	17	0.095
53205U	25	47	50	19	0.153
53206U	30	52	55	20	0.186
53207U	35	62	65	22	0.292
53208U	40	68	72	23	0.353
53209U	45	73	78	24	0.419
53210U	50	78	82	26	0.504
53211U	55	90	95	30	0.819
53212U	60	95	100	31	0.897

Bearing Number	Boundary Dimensions(mm)				Weight (Kg)
	d	D	d1	T	
SKF 53213U	65	100	105	32	0.93
53214U	70	105	110	32	0.96
53305U	25	52	55	22	0.205
53306U	30	60	62	25	0.79
53308U	40	78	82	31	0.68
53309U	45	85	90	33	0.828
53310U	50	95	100	37	1.19
53315U	75	135	140	52	3.375
53407U	35	80	85	37	0.92
53408U	40	90	95	42	1.13
53410U	50	110	115	50	2.25
53412U	60	130	135	58	3.125

Double-Direction Thrust Ball Bearing

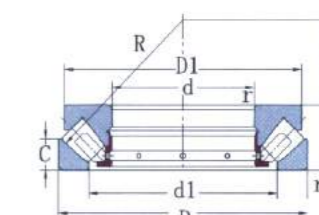


Bearing Number	Boundary Dimensions(mm)			Weight (Kg)
	d	D	T	
SKF 52202	10	32	22	0.085
52204	15	40	26	0.144
52205	20	47	28	0.23
52206	25	52	29	0.26
52207	30	62	34	0.405
52208	30	68	36	0.54
52209	35	73	37	0.64

Bearing Number	Boundary Dimensions(mm)			Weight (Kg)
	d	D	T	
SKF 52210	40	78	39	0.71
52211	45	90	45	1.12
52212	50	95	46	1.15
52213	55	100	47	1.36
52214	55	105	47	1.52

Bearing Number	Boundary Dimensions(mm)			Weight (Kg)
	d	D	T	
SKF 52215	60	110	47	1.6
52216	65	115	48	1.73
52217	70	125	55	2.22
52218	75	135	62	3.14
52220	85	150	67	4.2

Spherical Roller Thrust Bearings



Bearing Number	Boundary Dimensions(mm)			Weight (Kg)	
	New	Old	B		
29412	9039412	60	130	42	2.78
29413	9039413	65	140	45	3.44
29414	9039414	70	150	48	4.19
29415	9039415	75	160	51	5.07
29416	9039416	80	170	54	5.98
29417	9039417	85	180	58	7.2
29318	9039318	90	155	30	3.08
29418(YA)	9039418(K)	90	160	60	7.6
29320	903920	100	170	42	3.94
29420	9039420	100	210	67	11.5
29322	9039322	110	190	48	5.78
29422	9039422	110	230	73	15
29324	9039324	120	210	54	7.92
29424	9039424	120	350	78	18.6
29326(E)	9039326(E)	130	225	58	9.76
29426	9039426	130	270	85	23.7

Bearing Number	Boundary Dimensions(mm)			Weight (Kg)	
	New	Old	B		
29328	9039328	140	240	60	11.2
29428	9039428	140	280	85	25.2
29330	9039330	150	250	60	12
29430	9039430	150	300	90	30.5
29332	9039332	160	270	67	15.9
29432	9039432	160	320	95	37
29334	9039334	170	280	67	16.6
29434	9039434	170	340	103	45
29434E	9039434E	170	340	103	45
29236	9039236	180	250	42	6.27
29336	9039336	180	300	73	21.2
29436	9039436	180	360	109	52.9
29238(E)	9039238(E)	190	270	48	8.8
29338	9039338	190	320	78	26
29438(ME)	9039438(E)	190	380	115	62

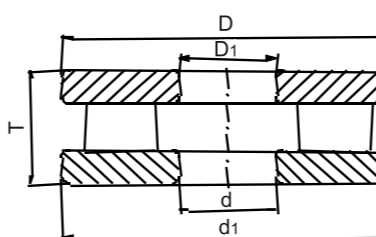
Thrust Roller Bearing Steering Pivot with Retainer



Bearing Number	Boundary Dimensions(mm)			Bearing Number	Boundary Dimensions(mm)		
	d	D	T		d	D	T
T208	52.5	93	27	KB-478ERC	32	55.6	16
T163	41.5	72.5	21.5	528548EI	50.25	78	22
T251	63.8	111	26.8	BFSB353291	46	78	22
951Z08	40	67.8	19	528546C	45.1	74	20
951Z09	45	80	16.7	568195B	40	72.6	19
951Z10	50	78	22	BFSB445870E	46.2	83	24
47TAG	47	78	23	536125B	35.4	55.55	14
T199	51	74.6	15.9	536123A	30.2	50	12
T119	30.416	55.562	15.875	BFSB353326	33	56.5	19
29908K	38.5	72.5	21	BFSB353325	30	55.563	19
RR149	38.18	66	19.45	353013A	36.652	66.675	19.7
KB-231	30.5	52	14.8	353118	45.1	74	20

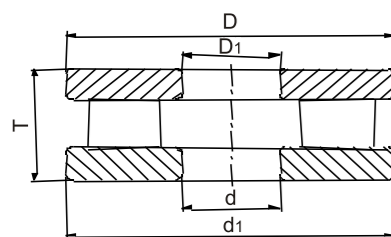
Cylindrical Roller Thrust Bearings

893, 811, 812 Series



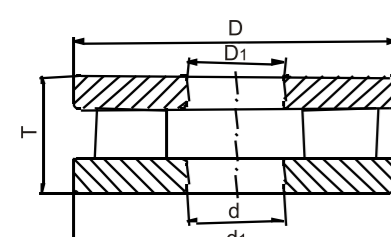
893 SERIES

Bearing Number	Boundary Dimensions(mm)								Basic Load Ratings (kN)		Limiting Speeds (rpm)		Weight (Kg) (Approx.)
	d	D	d1s max	D1s min	T	Dw	B	rs min	Dynamic Cr	Static Cor	Grease	Oil	
89306	30	60	60	32	18	5.5	6.25	1	54	166	1300	5000	0.25
89307	35	68	68	37	20	6	7	1	66	214	1200	4600	0.36
89308	40	78	78	42	22	7	7.5	1	85	277	1000	4000	0.52
89309	45	85	85	47	24	7.5	8.25	1	102	345	900	3600	0.67
89310	50	95	95	52	27	8	9.5	1.1	125	445	800	3200	0.94
89311	55												



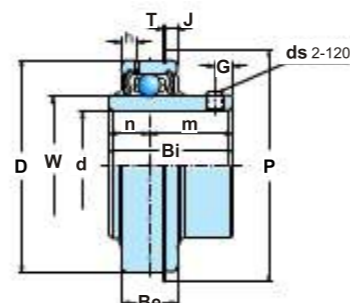
811 SERIES

Bearing Number	Boundary Dimensions(mm)								Basic Load Ratings (kN)		Limiting Speeds (rpm)		Weight (Kg) (Approx.)
	d	D	d1s max	D1s min	T	Dw	B	rs min	Dynamic Cr	Static Cor	Grease	Oil	
81102	15	28	28	16	9	3.5	2.75	0.3	12.9	28.6	2800	11000	0.026
81103	17	30	30	18	9	3.5	2.75	0.3	13.4	31	2500	10000	0.03
81104	20	35	35	21	10	4.5	2.75	0.3	20.2	46.5	2100	8500	0.04
81105	25	42	42	26	11	5	3	0.6	27.3	68	1800	7000	0.06
81106	30	47	47	32	11	5	3	0.6	27.8	72.5	1500	6000	0.07
81107	35	52	52	37	12	5	3.5	0.6	31	87	1400	5500	0.09
81108	40	60	60	42	13	6	3.5	0.6	43	121	1200	4800	0.135
81109	45	65	65	47	14	6	4	0.5	45.5	135	1100	4400	0.15
81110	50	70	70	52	14	6	4	0.5	48	150	1000	4000	0.165
81111	55	78	78	57	16	6	5	0.6	62.5	215	900	3600	0.25
81112	60	85	85	62	17	7.5	4.75	1	69	215	830	3300	0.285
81113	65	90	90	67	18	7.5	5.25	1	73	236	780	3100	0.34
81114	70	95	95	72	18	7.5	5.25	1	76.5	257	730	2900	0.365
81115	75	100	100	77	19	7.5	5.75	1	78	268	680	2700	0.425
81116	80	105	105	82	19	7.5	5.75	1	79.5	279	650	2600	0.445
81117	85	110	110	87	19	7.5	5.75	1	83	300	630	2500	0.475
81118	90	120	120	92	22	9	6.5	1	112	395	580	2300	0.67
81120	100	135	135	102	25	11	7	1	158	555	500	2000	1
81122	110	145	145	112	25	11	7	1	165	605	480	1900	1.1
81124	120	155	155	122	25	11	7	1	172	655	450	1800	1.17
81126	130	170	170	132	30	12	9	1	197	755	400	1600	1.74
81128	140	180	178	142	31	12	9.5	1	206	815	380	1500	1.95
81130	150	190	188	152	31	12	9.5	1	214	870	350	1400	2.07
81132	160	200	198	162	31	12	9.5	1	221	930	330	1300	2.19



812 SERIES

Bearing Number	Boundary Dimensions(mm)								Basic Load Ratings (kN)		Limiting Speeds (rpm)		Weight (Kg) (Approx.)
	d	D	d1s max	D1s min	T	Dw	B	rs min	Dynamic Cr	Static Cor	Grease	Oil	
81206	30	52	52	32	16	7.5	4.25	0.6	53.5	129	1500	6000	0.14
81207	35	62	62	37	18	7.5	5.25	1	54.5	139	1200	4900	0.235
81208	40	68	68	42	19	9	5	1	74.5	190	1100	4400	0.265
81209	45	73	73	47	20	9	5.5	1	82	222	1000	4100	0.31
81210	50	78	78	52	22	9	6.5	1	85	238	950	3800	0.385
81211	55	90	90	57	25	11	7	1	121	340	830	3300	0.61
81212	60	95	95	62	26	11	7.5	1	125	365	780	3100	0.66
81213	65	100	100	67	27	11	8	1	130	385	730	2900	0.775
81214	70	105	105	72	27	11	8	1	134	410	680	2700	0.815
81215	75	110	110	77	27	11	8	1	138	435	650	2600	0.86
81216	80	115	115	82	28	11	8.5	1	142	460	630	2500	0.95
81217	85	125	125	88	31	12	9.5	1	169	550	580	2300	1.28
81218	90	135	135	93	35	14	10.5	1.1	213	680	530	2100	1.82
81220	100	150	150	103	38	15	11.5	1.1	243	795	480	1900	2.24
81222	110	160	160	113	38	15	11.5	1.1	259	885	450	1800	2.45
81224	120	170	170	123	39	15	12	1.1	264	930	430	1700	2.69
81226	130	190	187	133	45	19	13	1.5	360	1210	380	1500	4.2
81228	140	200	197	143	46	19	13.5	1.5	370	1280	350	1400	4.57



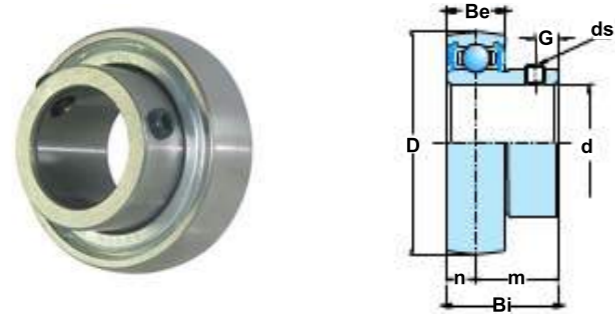
Mounted Bearing Units & Insert
SER Series

Bearing Number	Shaft Dia		Boundary Dimensions(mm)											Basic Load Ratings(N)		Weight (Kg)	
	in.	mm	D	Bi	Be	n	m	W	O	T	J	G	ds	Y	Dynamic Cr		Static Cor
SER201-8	1/2		47	31	15.9	11.5	19.5	28.3	4	1.35	2.46	5	1/4-28UNF	52.7	12890	1460	0.25
SER202-10	5/8		47	31	15.9	11.5	19.5	28.3	4	1.35	2.46	5	1/4-28UNF	52.7	12890	1460	0.25
SER204		20	47	31	15.9	11.5	19.5	28.3	4	1.35	2.46	5	M6x1.0	52.7	12890	1460	0.25
SER204-12	3/4		47	31	15.9	11.5	19.5	28.3	4	1.35	2.46	5	1/4-28UNF	52.7	12890	1460	0.25
SER205		25	52	34.9	19.1	13.1	21.8	34	5.2	1.35	2.46	5.6	M6x1.0	57.9	14000	7560	0.31
SER205-14	7/8		52	34.9	19.1	13.1	21.8	34	5.2	1.35	2.46	5.6	1/4-28UNF	57.9	14000	7560	0.31
SER205-15	15/16		52	34.9	19.1	13.1	21.8	34	5.2	1.35	2.46	5.6	1/4-28UNF	57.9	14000	7560	0.31
SER205-16	1		52	34.9	19.1	13.1	21.8	34	5.2	1.35	2.46	5.6	1/4-28UNF	57.9	14000	7560	0.31
SER206		30	62	38.1	22.2	15.9	22.2	40.3	5.6	1.9	3.28	5.6	M6x1.0	67.7	19520	11160	0.42
SER206-17	1-1/16		62	38.1	22.2	15.9	22.2	40.3	5.6	1.9	3.28	5.6	1/4-28UNF	67.7	19520	11160	0.42
SER206-18	1-1/8		62	38.1	22.2	15.9	22.2	40.3	5.6	1.9	3.28	5.6	1/4-28UNF	67.7	19520	11160	0.42
SER206-19	1-3/16		62	38.1	22.2	15.9	22.2	40.3	5.6	1.9	3.28	5.6	1/4-28UNF	67.7	19520	11160	0.42
SER206-20	1-1/4		62	38.1	22.2	15.9	22.2	40.3	5.6	1.9	3.28	5.6	1/4-28UNF	67.7	19520	11160	0.42
SER207		35	72	42.9	23.8	17.5	25.4	46.9	5.6	1.9	3.28	6.4	M8x1.0	78.6	25650	15340	0.62
SER207-20	1-1/4		72	42.9	23.8	17.5	25.4	46.9	5.6	1.9	3.28	6.4	5/16-24UNF	78.6	25650	15340	0.62

Bearing Number	Shaft Dia		Boundary Dimensions(mm)											Basic Load Ratings(N)		Weight (Kg)	
	in.	mm	D	Bi	Be	n	m	W	O	T	j	G	ds	Y	Dynamic Cr		Static Cor
SER207-21	1-5/16		72	42.9	23.8	17.5	25.4	46.9	5.6	1.9	3.28	6.4	5/16-24UNF	78.6	25650	15340	0.62
SER207-22	1-3/8		72	42.9	23.8	17.5	25.4	46.9	5.6	1.9	3.28	6.4	5/16-24UNF	78.6	25650	15340	0.62
SER207-23	1-7/16		72	42.9	23.8	17.5	25.4	46.9	5.6	1.9	3.28	6.4	5/16-24UNF	78.6	25650	15340	0.62
SER208		40	80	49.2	27.8	19	30.2	52.4	6.4	1.9	3.28	8	M8x1.0	86.6	28900	3850	0.91
SER208-24	1-1/2		80	49.2	27.8	19	30.2	52.4	6.4	1.9	3.28	8	5/16-24UNF	86.6	28900	3850	0.91
SER208-25	1-9/16		80	49.2	27.8	19	30.2	52.4	6.4	1.9	3.28	8	5/16-24UNF	86.6	28900	3850	0.91
SER209		45	85	49.2	27.8	19	30.2	57.4	6.4	1.9	3.28	8	M10x1.25	91.6	32680	18230	1.05
SER209-26	1-5/8		85	49.2	27.8	19	30.2	57.4	6.4	1.9	3.28	8	3/8-24UNF	91.6	32680	18230	1.05
SER209-27	1-11/16		85	49.2	27.8	19	30.2	57.4	6.4	1.9	3.28	8	3/8-24UNF	91.6	32680	18230	1.05
SER209-28	1-3/4		85	49.2	27.8	19	30.2	57.4	6.4	1.9	3.28	8	3/8-24UNF	91.6	32680	18230	1.05
SER210		50	90	51.6	28.6	19	32.6	62.4	7.5	2.7	3.28	9.5	M10x1.25	96.6	35120	20850	1.1
SER210-30	1-7/8		90	51.6	28.6	19	32.6	62.4	7.5	2.7	3.28	9.5	3/8-24UNF	96.6	35120	20850	1.1
SER210-31	1-15/16		90	51.6	28.6	19	32.6	62.4	7.5	2.7	3.28	9.5	3/8-24UNF	96.6	35120	20850	1.1
SER210-32	2		90	51.6	28.6	19	32.6	62.4	7.5	2.7	3.28	9.5	3/8-24UNF	96.6	35120	20850	1.1
SER211		55	100	55.6	30.2	22.2	33.4	68.7	7.5	2.7	3.28	9.5	M10x1.25	106.6	43350	26000	1.36
SER211-32	2		100	55.6	30.2	22.2	33.4	68.7	7.5	2.7	3.28	9.5	3/8-24UNF	106.6	43350	26000	1.36
SER211-34	2-1/8		100	55.6	30.2	22.2	33.4	68.7	7.5	2.7	3.28	9.5	3/8-24UNF	106.6	43350	26000	1.36
SER211-35	2-3/16		100	55.6	30.2	22.2	33.4	68.7	7.5	2.7	3.28	9.5	3/8-24UNF	106.6	43350	26000	1.36
SER212		60	110	65.1	31.8	25.4	39.7	77	7.5	2.7	3.28	11.1	M10x1.25	116.6	51130	36010	2.53
SER212-36	2-1/4		110	65.1	31.8	25.4	39.7	77	7.5	2.7	3.28	11.1	3/8-24UNF	116.6	51130	36010	2.53
SER212-38	2-3/8		110	65.1	31.8	25.4	39.7	77	7.5	2.7	3.28	11.1	3/8-24UNF	116.6	51130	36010	2.53
SER212-39	2-7/16		110	65.1	31.8	25.4	39.7	77	7.5	2.7	3.28	11.1	3/8-24UNF	116.6	51130	36010	2.53
SER213																	

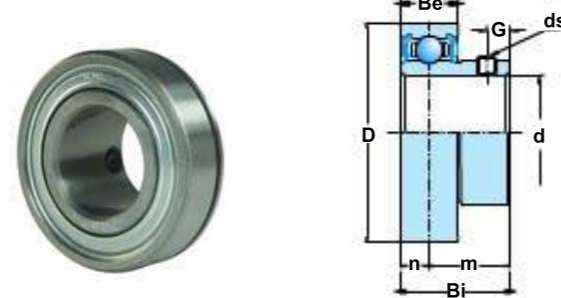
Bearing Number	Shaft Dia		Boundary Dimensions(mm)									Basic Load Rating (N)		Weight (kg)
	in.	mm	D	Bi	Be	r	n	m	G	ds	T	Dynamic Cr	Static Cor	
UC214-44 UC214	2-3/4	70	125	74.6	30	2.5	30.2	44.4	12	M12x1.5	8.9	62000	44000	2.07 2.06
UC215-47 UC215-48 UC215	2-15/16 3	75	130	77.8	32	2.5	33.3	44.5	12	M12x1.5	8.9	66000	49500	2.21 2.11 2.19
UC216-50 UC216	3-1/8	80	140	82.6	33	3	33.3	49.3	14	M12x1.5	9.6	72500	53000	2.9 2.82
UC217-52 UC217	3-1/4	85	150	85.7	35	3	34.1	51.6	14	M12x1.5	10	83500	64000	3.56 3.46
UC218-56 UC218	3-1/2	90	160	96	37	3	39.7	56.3	15	M12x1.5	11	96000	71500	4.62 4.53

SB Series



Bearing Number	Shaft Dia		Boundary Dimensions(mm)									Basic Load Ratings(N)		Weight (Kg)
	in.	mm	D	Bi	Be	n	m	G	ds	Dynamic Cr	Static Cor			
SB201		12	40	22	12	6	16	4	M6x1.0	9600	4400	0.1		
SB201-8	1/2		40	22	12	6	16	4	1/4-28UNF	9600	4400	0.1		
SB202		15	40	22	12	6	16	4	M6x1.0	9600	4400	0.09		
SB202-10	5/8		40	22	12	6	16	4	1/4-28UNF	9600	4400	0.09		
SB203		17	40	22	12	6	16	4	M6x1.0	9600	4400	0.08		
SB204		20	47	25	14	7	18	5	M6x1.0	12890	6490	0.13		
SB204-12	3/4		47	25	14	7	18	5	1/4-28UNF	12890	6490	0.13		
SB205		25	52	27	15	7.5	19.5	5.5	M6x1.0	14000	7560	0.16		
SB205-14	7/8		52	27	15	7.5	19.5	5.5	1/4-28UNF	14000	7560	0.18		
SB205-15	15/16		52	27	15	7.5	19.5	5.5	1/4-28UNF	14000	7560	0.18		
SB205-16	1		52	27	15	7.5	19.5	5.5	1/4-28UNF	14000	7560	0.16		
SB206		30	62	30	16	8	22	6	M8x1.0	19510	11160	0.25		
SB206-17	1-1/16		62	30	16	8	22	6	5/16-24UNF	19510	11160	0.27		
SB206-18	1-1/8		62	30	16	8	22	6	5/16-24UNF	19510	11160	0.26		
SB206-19	1-3/16		62	30	16	8	22	6	5/16-24UNF	19510	11160	0.25		
SB206-20	1-1/4		62	30	16	8	22	6	5/16-24UNF	19510	11160	0.24		
SB207		35	72	32	17	8.5	23.5	6	M8x1.0	25640	15330	0.38		
SB207-20	1-1/4		72	32	17	8.5	23.5	6	5/16-24UNF	25640	15330	0.43		
SB207-21	1-5/16		72	32	17	8.5	23.5	6	5/16-24UNF	25640	15330	0.42		
SB207-22	1-3/8		72	32	17	8.5	23.5	6	5/16-24UNF	25640	15330	0.38		
SB207-23	1-7/16		72	32	17	8.5	23.5	6	5/16-24UNF	25640	15330	0.31		
SB208		40	80	34	18	9	25	6	M8x1.0	28890	17110	0.5		
SB208-24	1-1/2		80	34	18	9	25	6	5/16-24UNF	28890	17110	0.52		

CSB Series



Bearing Number	Shaft Dia		Boundary Dimensions(mm)									Basic Load Ratings(N)		Weight (Kg)
	in.	mm	D	Bi	Be	n	m	G	ds	Dynamic Cr	Static Cor			
CSB201		12	40	22	12	6	16	4	M6x1.0	2160	990	0.1		
CSB201-8	1/2		40	22	12	6	16	4	1/4-28UNF	2160	990	0.1		
CSB202		15	40	22	12	6	16	4	M6x1.0	2160	990	0.09		
CSB202-10	5/8		40	22	12	6	16	4	1/4-28UNF	2160	990	0.09		
CSB203		17	40	22	12	6	16	4	M6x1.0	2160	990	0.08		
CSB204		20	47	25	14	7	18	5	M6x1.0	12890	6490	0.13		
CSB204-12	3/4		47	25	14	7	18	5	1/4-28UNF	12890	6490	0.13		
CSB205		25	52	27	15	7.5	19.5	5.5	M6x1.0	14000	7560	0.16		
CSB205-14	7/8		52	27	15	7.5	19.5	5.5	1/4-28UNF	14000	7560	0.18		
CSB205-15	15/16		52	27	15	7.5	19.5	5.5	1/4-28UNF	14000	7560	0.18		
CSB205-16	1		52	27	15	7.5	19.5	5.5	1/4-28UNF	14000	7560	0.16		
CSB206		30	62	30	16	8	22	6	M8x1.0	19510	11160	0.25		
CSB206-17	1-1/16		62	30	16	8	22	6	5/16-24UNF	19510	11160	0.27		
CSB206-18	1-1/8		62	30	16	8	22	6	5/16-24UNF	19510	11160	0.26		
CSB206-19	1-3/16		62	30	16	8	22	6	5/16-24UNF	19510	11160	0.25		
CSB206-20	1-1/4		62	30	16	8	22	6	5/16-24UNF	19510	11160	0.24		
CSB207		35	72	32	17	8.5	23.5	6	M8x1.0	25650	15340	0.38		

Bearing Number	Shaft Dia		Boundary Dimensions(mm)							Basic Load Ratings(N)		Weight (kg)
	in.	mm	D	Bi	Be	n	m	G	ds	Dynamic Cr	Static Cor	
CSB207-20	1-1/4		72	32	17	8.5	23.5	6	5/16-24UNF	25650	15340	0.43
CSB207-21	1-5/16		72	32	17	8.5	23.5	6	5/16-24UNF	25650	15340	0.42
CSB207-22	1-3/8		72	32	17	8.5	23.5	6	5/16-24UNF	25650	15340	0.38
CSB207-23	1-7/16		72	32	17	8.5	23.5	6	5/16-24UNF	25650	15340	0.31
CSB208		40	80	34	18	9	25	8	M8x1.0	28890	17110	0.5
CSB208-24	1-1/2		80	34	18	9	25	8	5/16-24UNF	28890	17110	0.52

HC Series



Bearing Number	Shaft Dia		Boundary Dimensions(mm)									Basic Load Ratings(N)		Weight (Kg)
	in.	mm	D	L	Bi	Be	n	Di	K	G	ds	Dynamic Cr	Static Cor	
HC201-8	1/2		47	43.5	34	17	17	33.3	13.5	5	1/4-28UNF	12890	6490	0.23
HC202-10	5/8		47	43.5	34	17	17	33.3	13.5	5	1/4-28UNF	12890	6490	0.28
HC204		20	47	43.5	34	17	17	33.3	13.5	5	M6x1.0	12890	6490	0.24
HC204-12	3/4		47	43.5	34	17	17	33.3	13.5	5	1/4-28UNF	12890	6490	0.21
HC205		25	52	44.3	34.8	17	17.4	38.1	13.5	5	M6x1.0	14000	7560	0.27
HC205-14	7/8		52	44.3	34.8	17	17.4	38.1	13.5	5	1/4-28UNF	14000	7560	0.26
HC205-15	15/16		52	44.3	34.8	17	17.4	38.1	13.5	5	1/4-28UNF	14000	7560	0.25
HC205-16	1		52	44.3	34.8	17	17.4	38.1	13.5	5	1/4-28UNF	14000	7560	0.23
HC206		30	62	48.3	36.4	19	18.2	44.5	15.9	6	M8x1.0	19510	11160	0.45
HC206-17	1-1/16		62	48.3	36.4	19	18.2	44.5	15.9	6	5/16-24UNF	19510	11160	0.43
HC206-18	1-1/8		62	48.3	36.4	19	18.2	44.5	15.9	6	5/16-24UNF	19510	11160	0.38
HC206-19	1-3/16		62	48.3	36.4	19	18.2	44.5	15.9	6	5/16-24UNF	19510	11160	0.36
HC206-20	1-1/4		62	48.3	36.4	19	18.2	44.5	15.9	6	5/16-24UNF	19510	11160	0.4
HC207		35	72	51.1	37.6	20	18.8	55.6	17.5	6.5	M8x1.0	25648	15340	0.6
HC207-20	1-1/4		72	51.1	37.6	20	18.8	55.6	17.5	6.5	5/16-24UNF	25648	15340	0.66
HC207-21	1-5/16		72	51.1	37.6	20	18.8	55.6	17.5	6.5	5/16-24UNF	25648	15340	0.64
HC207-22	1-3/8		72	51.1	37.6	20	18.8	55.6	17.5	6.5	5/16-24UNF	25648	15340	0.61
HC207-23	1-7/16		72	51.1	37.6	20	18.8	55.6	17.5	6.5	5/16-24UNF	25648	15340	0.58
HC208		40	80	56.3	42.8	21	21.4	60.3	18.3	6.5	M8x1.0	28890	17110	0.79
HC208-24	1-1/2		80	56.3	42.8	21	21.4	60.3	18.3	6.5	5/16-24UNF	28890	17110	0.86
HC208-25	1-9/16		80	56.3	42.8	21	21.4	60.3	18.3	6.5	5/16-24UNF	28890	17110	0.82
HC209		45	85	56.3	42.8	22	21.4	63.5	18.3	6.5	M8x1.0	32670	18225	0.85
HC209-26	1-5/8		85	56.3	42.8	22	21.4	63.5	18.3	6.5	5/16-24UNF	32670	18225	0.93
HC209-27	1-11/16		85	56.3	42.8	22	21.4	63.5	18.3	6.5	5/16-24UNF	32670	18225	0.9
HC209-28	1-3/4		85	56.3	42.8	22	21.4	63.5	18.3	6.5	5/16-24UNF	32670	18225	0.85
HC210		50	90	62.7	49.2	24	24.6	69.9	18.3	6.5	M8x1.0	35120	20850	0.98
HC210-30	1-7/8		90	62.7	49.2	24	24.6	69.9	18.3	6.5	5/16-24UNF	35120	20850	1.07
HC210-31	1-15/16		90</											

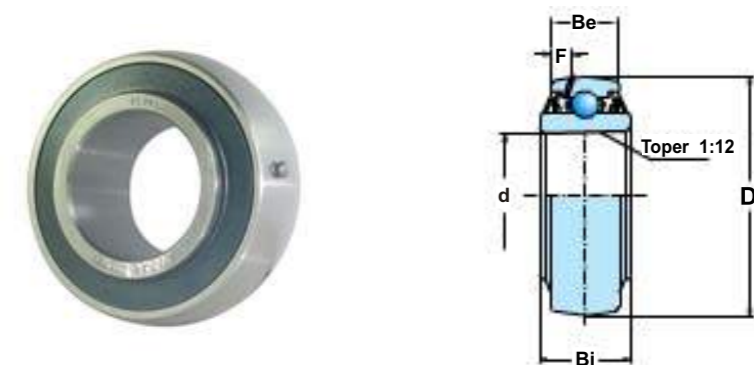
Bearing Number	Shaft Dia		Boundary Dimensions(mm)										Basic Load Ratings(N)		Weight (Kg)
	in.	mm	D	L	Bi	Be	n	m	Di	K	G	ds	Dynamic Cr	Static Cor	
SA204-12	3/4		47	31	21.5	14	7	24	33	13.5	4.8	1/4-28UNF	12890	6490	0.16
SA205		25	52	31	21.5	15	7.5	23.5	38	13.5	4.8	M6x1.0	14000	7560	0.2
SA205-14	7/8		52	31	21.5	15	7.5	23.5	38	13.5	4.8	1/4-28UNF	14000	7560	0.22
SA205-15	15/16		52	31	21.5	15	7.5	23.5	38	13.5	4.8	1/4-28UNF	14000	7560	0.21
SA205-16	1		52	31	21.5	15	7.5	23.5	38	13.5	4.8	1/4-28UNF	14000	7560	0.19
SA206		30	62	35.7	23.8	16	8	27.7	44.5	15.9	6	M6x1.0	19510	11160	0.31
SA206-17	1-1/16		62	35.7	23.8	16	8	27.7	44.5	15.9	6	1/4-28UNF	19510	11160	0.33
SA206-18	1-1/8		62	35.7	23.8	16	8	27.7	44.5	15.9	6	1/4-28UNF	19510	11160	0.33
SA206-19	1-3/16		62	35.7	23.8	16	8	27.7	44.5	15.9	6	1/4-28UNF	19510	11160	0.3
SA206-20	1-1/4		62	35.7	23.8	16	8	27.7	44.5	15.9	6	1/4-28UNF	19510	11160	0.28
SA207		35	72	38.9	25.4	17	8.5	30.4	55.5	17.5	6.8	M8x1.0	25650	15340	0.49
SA207-20	1-1/4		72	38.9	25.4	17	8.5	30.4	55.5	17.5	6.8	5/16-24UNF	25650	15340	0.52
SA207-21	1-5/16		72	38.9	25.4	17	8.5	30.4	55.5	17.5	6.8	5/16-24UNF	25650	15340	0.5
SA207-22	1-3/8		72	38.9	25.4	17	8.5	30.4	55.5	17.5	6.8	5/16-24UNF	25650	15340	0.47
SA207-23	1-7/16		72	38.9	25.4	17	8.5	30.4	55.5	17.5	6.8	5/16-24UNF	25650	15340	0.45
SA208		40	80	43.7	30.2	18	9	34.7	60	18.3	6.8	M8x1.0	28890	17110	0.66
SA208-24	1-1/2		80	43.7	30.2	18	9	34.7	60	18.3	6.8	5/16-24UNF	28890	17110	0.64
SA208-25	1-9/16		80	43.7	30.2	18	9	34.7	60	18.3	6.8	5/16-24UNF	28890	17110	0.61
SA209		45	85	43.7	30.2	19	9.5	34.2	63.5	18.3	6.8	M8x1.0	32670	18220	0.65
SA209-26	1-5/8		85	43.7	30.2	19	9.5	34.2	63.5	18.3	6.8	5/16-24UNF	32670	18220	0.76
SA209-27	1-11/16		85	43.7	30.2	19	9.5	34.2	63.5	18.3	6.8	5/16-24UNF	32670	18220	0.73
SA209-28	1-3/4		85	43.7	30.2	19	9.5	34.2	63.5	18.3	6.8	5/16-24UNF	32670	18220	0.7
SA210		50	90	43.7	30.2	20	10	33.7	69.8	18.3	6.8	M10x1.25	35120	20850	0.7
SA210-30	1-7/8		90	43.7	30.2	20	10	33.7	69.8	18.3	6.8	3/8-24UNF	35120	20850	0.83
SA210-31	1-15/16		90	43.7	30.2	20	10	33.7	69.8	18.3	6.8	3/8-24UNF	35120	20850	0.79
SA210-32	2		90	43.7	30.2	20	10	33.7	69.8	18.3	6.8	3/8-24UNF	35120	20850	0.74
SA211		55	100	48.4	32.5	24	12	36.4	76.2	20.6	8	M10x1.25	43340	26000	0.77
SA211-32	2		100	48.4	32.5	24	12	36.4	76.2	20.6	8	3/8-24UNF	43340	26000	0.96
SA211-34	2-1/8		100	48.4	32.5	24	12	36.4	76.2	20.6	8	3/8-24UNF	43340	26000	0.87
SA211-35	2-3/16		100	48.4	32.5	24	12	36.4	76.2	20.6	8	3/8-24UNF	43340	26000	0.81

CSA Series



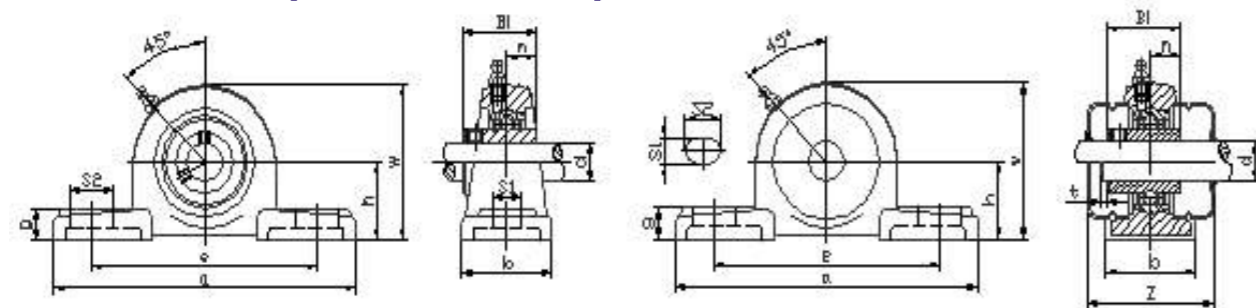
Bearing Number	Shaft Dia		Boundary Dimensions(mm)										Basic Load Ratings(N)		Weight (Kg)
	in.	mm	D	L	Bi	Be	n	m	Di	K	G	ds	Dynamic Cr	Static Cor	
CSA201		12	40	28.6	19	12	6	22.6	29	13.5	4.8	M6x1.0	2160	990	0.12
CSA201-8	1/2		40	28.6	19	12	6	22.6	29	13.5	4.8	1/4-28UNF	2160	990	0.12
CSA202		15	40	28.6	19	12	6	22.6	29	13.5	4.8	M6x1.0	2160	990	0.11
CSA202-10	5/8		40	28.6	19	12	6	22.6	29	13.5	4.8	1/4-28UNF	2160	990	0.11
CSA203		17	40	28.6	19	12	6	22.6	29	13.5	4.8	M6x1.0	2160	990	0.1
CSA204		20	47	31	21.5	14	7	24	33	13.5	4.8	M6x1.0	12890	6490	0.17
CSA204-12	3/4		47	31	21.5	14	7	24	33	13.5	4.8	1/4-28UNF	12890	6490	0.16
CSA205		25	52	31	21.5	15	7.5	23.5	38	13.5	4.8	M6x1.0	14000	7560	0.2
CSA205-14	7/8		52	31	21.5	15	7.5	23.5	38	13.5	4.8	1/4-28UNF	14000	7560	0.22
CSA205-15	15/16		52	31	21.5	15	7.5	23.5	38	13.5	4.8	1/4-28UNF	14000	7560	0.21
CSA205-16	1		52	31	21.5	15	7.5	23.5	38	13.5	4.8	1/4-28UNF	14000	7560	0.19
CSA206		30	62	35.7	23.8	16	8	27.7	44.5	15.9	6	M6x1.0	19510	11160	0.31
CSA206-17	1-1/16		62	35.7	23.8	16	8	27.7	44.5	15.9	6	1/4-28UNF	19510	11160	0.33
CSA206-18	1-1/8		62	35.7	23.8	16	8	27.7	44.5	15.9	6	1/4-28UNF	19510	11160	0.33
CSA206-19	1-3/16		62	35.7	23.8	16	8	27.7	44.5	15.9	6	1/4-28UNF	19510	11160	0.3
CSA206-20	1-1/4		62	35.7	23.8	16	8	27.7	44.5	15.9	6	1/4-28UNF	19510	11160	0.28
CSA207		35	72	38.9	25.4	17	8.5	30.4	55.5	17.5	6.8	M8x1.0	25650	15340	0.49
CSA207-20	1-1/4		72	38.9	25.4	17	8.5	30.4	55.5	17.5	6.8	5/16-24UNF	25650	15340	0.52
CSA207-21	1-5/16		72	38.9	25.4	17	8.5	30.4	55.5	17.5	6.8	5/16-24UNF	25650	15340	0.5
CSA207-22	1-3/8		72	38.9	25.4	17	8.5	30.4	55.5	17.5	6.8	5/16-24UNF	25650	15340	0.47
CSA207-23	1-7/16		72	38.9	25.4	17	8.5	30.4	55.5	17.5	6.8	5/16-24UNF	25650	15340	0.45
CSA208		40	80	43.7	30.2	18	9	34.7	60	18.3	6.8	M8x1.0	28890	17110	0.66
CSA208-24	1-1/2		80	43.7	30.2	18	9	34.7	60	18.3	6.8	5/16-24UNF	28890	17110	0.64
CSA208-25	1-9/16		80	43.7	30.2	18	9	34.7	60	18.3	6.8	5/16-24UNF	28890	17110	0.61
CSA209		45	85	43.7	30.2	19	9.5	34.2	63.5	18.3	6.8	M8x1.0	32670	18220	0.65
CSA209-26	1-5/8		85	43.7	30.2	19	9.5	34.2	63.5	18.3	6.8	5/16-24UNF	32670	18220	0.76
CSA209-27	1-11/16		85	43.7	30.2	19	9.5	34.2	63.5	18.3	6.8	5/16-24UNF	32670	18220	0.73
CSA209-28	1-3/4		85	43.7	30.2	19	9.5	34.2	63.5	18.3	6.8	5/16-24UNF	32670	18220	0.7
CSA210		50	90	43.7	30.2	20	10	33.7	69.8	18.3	6.8	M10x1.25	35120	20850	0.7
CSA210-30	1-7/8		90	43.7	30.2	20	10	33.7	69.8	18.3	6.8	3/8-24UNF	35120	20850	0.83
CSA210-31	1-15/16		90	43.7	30.2	20	10	33.7	69.8	18.3	6.8	3/8-24UNF	35120	20850	0.79
CSA210-32	2		90	43.7	30.2	20	10	33.7	69.8	18.3	6.8	3/8-24UNF	35120	20850	0.74
CSA211		55	100	48.4	32.5	24	12	36.4	76.2	20.6	8	M10x1.25	43340	26000	0.77
CSA211-32	2		100	48.4	32.5	24	12	36.4	76.2	20.6	8	3/8-24UNF	43340	26000	0.96
CSA211-34	2-1/8		100	48.4	32.5	24	12	36.4	76.2	20.6	8	3/8-24UNF	43340	26000	0.87
CSA211-35	2-3/16		100	48.4	32.5	24	12	36.4	76.2	20.6	8	3/8-24UNF	43340	26000	0.81

UK Series



Bearing Number	Shaft Dia		Boundary Dimensions(mm)					Basic Load Ratings(N)		Weight (Kg)	Bearing Number	Shaft Dia		Boundary Dimensions(mm)					Basic Load Ratings(N)		Weight (Kg)
	in.	mm	D	d	Bi	Be	F	Dynamic Cr	Static Cor			in.	mm	D	d	Bi	Be	F	Dynamic Cr	Static Cor	
UK205		20	52	25	23	18	5	12000	7060	0.25	UK211-31	1-15/16	100	55	35	27	7	36200	25100	1.26	
UK205-12	3/4		52	25	23	18	5	12000	7060	0.25	UK211-32	2	100	55	35	27	7	36200	25100	1.26	
UK206		25	62	30	26	20	5.1	16400	10100	0.36	UK212		55	110	60	38	30	7.7	43800	30900	1.59
UK206-14	7/8		62	30	26	20	5.1	16400	10100	0.36	UK212-34	2-1/8	110	60	38	30	7.7	43800	30900	1.59	
UK206-16	1		62	30	26	20	5.1	16400	10100	0.36	UK213		60	120	65	40	32	8.7	46300	34000	2
UK207		30	72	35	29	22	5.6	21600	13700	0.57	UK213-35	2-3/16	120	65	40	32	8.7	46300	34000	2	
UK207-18	1-1/8		72	35	29	22	5.6	21600	13700	0.57	UK213-36	2-1/4	120	65	40	32	8.7	46300	34000	2	
UK208		35	80	40	31	24	6	34800	16000	0.74	UK213-38	2-3/8	120	65	40	32	8.7	46300	34000	2	
UK208-20	1-1/4		80	40	31	24	6	34800	16000	0.74	UK215		65	130	75	44	34	9	55000	41200	2.56
UK208-22	1-3/8		80	40	31	24	6	34800	16000	0.74	UK215-39	2-7/16	130	75	44	34	9	55000	41200	2.56	

Mounted Bearing Untis & Inserts-Mounted Units-Pillow Block (UCP Series)

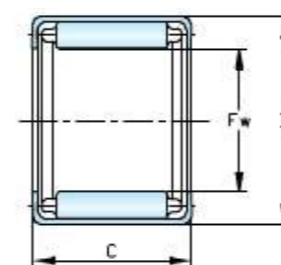


Bearing Unit Number	Bearing Number	Shaft Dia d		Boundary Dimensions(mm)											Bolt Used		Housing Number	Housing Wt (kg)	
		(in)	(mm)	h	a	e	b	S2	S1	g	w	t	Z	Bi	n	(mm)			(in)
UCP201-8	UC201-8	1/2																	
UCP202-9	UC202-9	9/16																	
UCP202-10	UC202-10	5/8																	
UCP203-11	UC203-11	11/16		33.3	127	95	38	19	13	14	62	2	51	31	12.7	M10	3/8	P203	0.33
UCP201	UC201		12																
UCP202	UC202		15																
UCP203	UC203		17																
UCP204-12	UC204-12	3/4		33.3	127	95	38	19	13	14	65	2	51	31	12.7	M10	3/8	P204	0.46
UCP204	UC204		20																
UCP205-13	UC205-13	13/16																	
UCP205-14	UC205-14	7/8																	
UCP205-15	UC205-15	15/16		36.5	140	105	38	19	13	15	71	2	57	34.1	14.3	M10	3/8	P205	0.6
UCP205-16	UC205-16	1																	
UCP205	UC205		25																
UCP206-17	UC206-17	1-1/16																	
UCP206-18	UC206-18	1-1/8																	
UCP206-19	UC206-19	1-3/16		42.9	165	121	48	21	17	17	83	2	62	38.1	15.9	M14	1/2	P206	0.97
UCP206-20	UC206-20	1-1/4																	
UCP206	UC206		30																
UCP207-20	UC207-20	1-1/4																	
UCP207-21	UC207-21	1-5/16																	
UCP207-22	UC207-22	1-3/8		47.6	167	127	48	21	17	18	93	3	72	42.9	17.5	M14	1/2	P207	1
UCP207-23	UC207-23	1-7/16																	
UCP207	UC207		35																
UCP208-24	UC208-24	1-1/2																	
UCP208-25	UC208-25	1-9/16		49.2	184	137	54	21	17	18	98	3	82	49.2	19	M14	1/2	P208	1.3
UCP208	UC208		40																
UCP209-26	UC209-26	1-5/8																	
UCP209-27	UC209-27	1-11/16																	
UCP209-28	UC209-28	1-3/4		54	190	146	54	21	17	20	106	3	82	49.2	19	M14	1/2	P209	1.4
UCP209	UC209		45																
UCP210-29	UC210-29	1-13/16																	
UCP210-30	UC210-30	1-7/8																	
UCP210-31	UC210-31	1-15/16		57.2	206	159	60	25	20	21	114	3	87	51.6	19	M16	5/8	P210	1.83
UCP210-32	UC210-32	2																	
UCP210	UC210		50																
UCP211-32	UC211-32	2																	
UCP211-33	UC211-33	2-1/16																	
UCP211-34	UC211-34	2-1/8		63.5	219	171	60	25	20	23	126	4	92	55.6	22.2	M16	5/8	P211	2.4
UCP211-35	UC211-35	2-3/16																	
UCP211	UC211		55																
UCP212-36	UC212-36	2-1/4																	
UCP212-37	UC212-37	2-5/16																	
UCP212-38	UC212-38	2-3/8		69.8	241	184	70	25	20	25	138	4	102	65.1	25.4	M16	5/8	P212	2.8
UCP212-39	UC212-39	2-7/16																	
UCP212	UC212		60																
UCP213-40	UC213-40	2-1/2																	
UCP213-41	UC213-41	2-9/16		76.2	265	203	70	29	25	27	151	4	107	65.1	25.4	M20	3/4	P213	3.5
UCP213	UC213		65																
UCP214-42	UC214-42	2-5/8																	
UCP214-43	UC214-43	2-11/16		79.4	266	210	72	31	25	27	157			74.6	30.2	M20	3/4	P214	4.45
UCP214-44	UC214-44	2-3/4																	
UCP214	UC214		70																
UCP215-45	UC215-45	2-13/16																	
UCP215-46	UC215-46	2-7/8																	
UCP215-47	UC215-47	2-15/16		82.6	275	217	74	31	25	28	163			77.8	33.3	M20	3/4	P215	4.9
UCP215-48	UC215-48	3																	
UCP215	UC215		75																
UCP216-50	UC216-50	3-1/8		88.9	292	232	78	31	25	30	175			82.6	33.3	M20	3/4	P216	5.8
UCP216	UC216		80																
UCP217-52	UC217-52	3-1/4		95.2	310	247	83	31	25	32	187			85.7	34.1	M20	3/4	P217	6.9
UCP217	UC217		85																
UCP218-56	UC218-56	3-1/2		101.6	327	262	88	33	27	33	200			96	39.7	M22	7/8	P218	8.1
UCP218	UC218		90																

Needle Roller Bearings

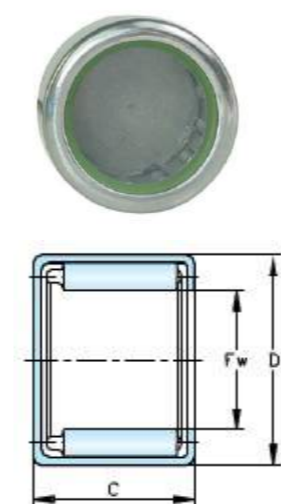
Drawn Cup Needle Roller Bearings

HK Series



Bearing Number	Boundary Dimensions(mm)			Basic Load Ratings (N)		Limiting Speeds(rpm)	Weight (g)
	Fw	D	C	Dynamic Cr	Static Cor	Oil	(Approx.)
HK0408TN	4	8	8	1540	1070	4000	1.6
HK0509	5	9	9	2200	1790	36000	2
HK16X21X06	16	21	6	4200	5300	12000	5.5
HK1614	16	22	14	8800	9900	12000	14.4
HK1622	16	22	22	11100	17400	14000	21.7
HK17X21.5X15	17	21.5	15	6300	8600	11000	10
HK1712	17	23	12	6900	9300	13000	12.2
HK1714	17	23	14	6800	10200	10000	14
HK1718	17	23	18	9500	10600	10000	19
HK17X24X15	17	24	15	11200	12800	10000	17
HK17X25X15.5	17	25	15.5	9320	10400	10000	20
HK17X25X18-RS	17	25	18	10500	12600	13000	23.5
HK1812	18	24	12	7100	9900	12000	13.1
HK1816	18	24	16	106500	15300	12000	17.5

BK Series



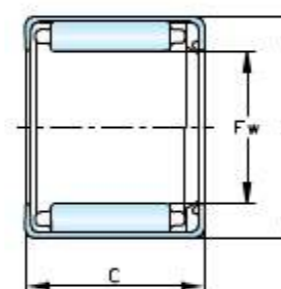
Bearing Number	Boundary Dimensions(mm)			Basic Load Ratings (N)		Limiting Speeds(rpm)	Weight (g)
	Fw	D	C	Dynamic Cr	Static Cor	Oil	(Approx.)
BK0408TN	4	8	8	1540	1070	40000	1.8
BK0509	5	9	9	2200	1790	36000	2.1
BK0608	6	10	8	1830	1550	32000	2.2
BK0709	7	11	9	2800	2150	27000	2.9
BK0810	8	12	10	3700	3450	21000	3.4
BK08X14X10	8	14	10	3800	3950	25000	5.8
BK0908	9	13	8	3650	4050	25000	3.4
BK0912	9	13	12	5000	6000	25000	4.9
BK4516	45	52	16	19300	38000	5800	56
BK5025	50	58	25	34500	80000	5300	109
BK5520	55	63	20	29500	59900	4600	93.8
BK6012	60	68	12	12400	29000	4100	77
BK6032	60	68	32	50000	131000	4100	164

Inch Series

Bearing Number	Boundary Dimensions (mm)			Basic Load Ratings(N)		Limiting Speeds (rpm)	Weight (g)	Bearing Number	Boundary Dimensions (mm)			Basic Load Ratings(N)		Limiting Speeds (rpm)	Weight (g)
	Fw	D	C	Dynamic Cr	Static Cor	Oil	(Approx.)		Fw	D	C	Dynamic Cr	Static Cor	Oil	(Approx.)
BA55	7.94	12.7	7.92	1917	1703	38400	3.4	SCE1212	19.05	25.4	19.05	14144	21706	16000	21
M-681	9.52	14.29	12.7	4581	5515	29900	4.3	SCE1214PP	19.05	25.4	22.22	16140	23800	16000	23
BHA68	9.52	15.88	12.77	6004	6093	30000	5	BA1210	19.05	25.4	15.88	11386	16413	16000	16
BA87	12.7	17.46	11.13	1976	2500	18000	6.6	BA1212	19.05	25.4	19.05	14144	21706	16000	21
SCH1012	15.88	22.22	19.05	10800	13440	18000	20	55000X22	19.05	30.17	47.6	18000	25000	16000	36
SCE108	15.88	22.22	12.7	8559	12060	18000	12	BA1816	22.22	34.92	25.4	20700	34500	13000	29
SCE1012	15.88	22.22	19.05	10800	13440	18000	20	SCE1616PP	25.4	31.75	25.4	22729	43505	11000	44

Sealed Drawn Cup Needle Roller Bearing

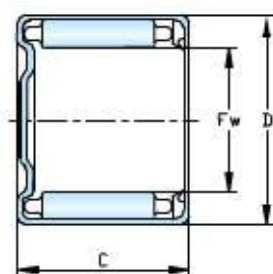
HK...RS Series



HK...2RS Series

Bearing Number	Boundary Dimensions(mm)			Basic Load Ratings (N)		Limiting Speeds (rpm)	Weight (g)
	Fw	D	C	Dynamic Cr	Static Cor	Oil	(Approx.)
HK0812-2RS	8	12	12	2250	2100	19000	3.5
HK1014-2RS	10	14	14	4100	5000	15000	5.2
HK1216-2RS	12	18	16	6100	7000	12000	11.5
HK1416-2RS	14	20	16	6100	7500	11000	14
HK1516-2RS	15	21	16	6800	8800	10000	14.3
HK1520-2RS	15	21	20	9500	11400	10000	18
HK1616-2RS	16	22	16	7200	9200	10000	15.1
HK1816-2RS	18	24	16	7800	9900	9200	17
HK2016-2RS	20	26	16	8000	10100	9000	18.8
HK2216-2RS	22	28	16	9000	12400	7800	20.3

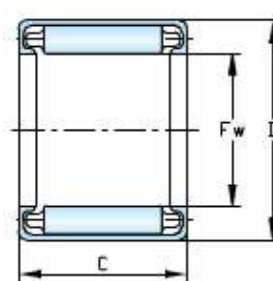
BK...RS Series



Bearing Number	Boundary Dimensions(mm)			Basic Load Ratings (N)		Limiting Speeds(rpm)	Weight (g)
	Fw	D	C	Dynamic Cr	Static Cor	Oil	(Approx.)
BK1414-RS	14	20	14	6100	7500	11000	14.1
BK1514-RS	15	21	14	6800	8800	10000	14.4
BK1614-RS	16	22	14	7200	9200	10000	15.3
BK2018-RS	20	26	18	12700	20100	7800	24.4
BK2518-RS	25	32	18	13600	20000	6900	35.3

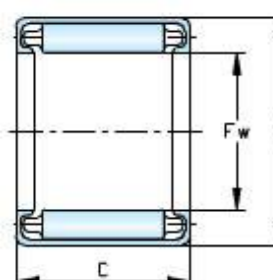
Drawn Cup Full Component Needle Roller Bearings

F Series



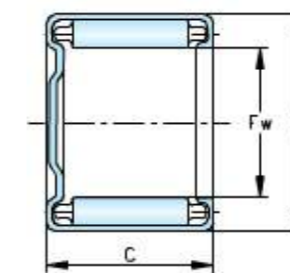
Bearing Number	Boundary Dimensions(mm)			Basic Load Ratings (N)		Limiting Speeds(rpm)	Weight (g)
	Fw	D	C	Dynamic Cr	Static Cor	Oil	(Approx.)
F0608	6	10	8	3080	5800	12000	2.5
F0810	8	12	10	4050	7150	13000	3.7
F0910	9	13	10	4900	8050	12000	4
F1010	10	14	10	5700	9350	11000	4.2
F10X16X15	10	16	15	6890	11500	7100	12
F1212	12	16	12	6380	10900	7100	6
F12X17X12	12	17	12	8400	11900	7100	8
F15X20X12	15	20	12	8400	11900	7100	10
F1512	15	21	12	9700	15900	8100	12
F1616	16	22	16	14100	25900	7700	17
F1712	17	23	12	10600	21600	7300	13
F1816	18	24	16	15000	29100	6900	18
F2014	20	26	14	15800	40500	6900	17
F20X26X25	20	26	25	20500	35500	6300	33
F2522	25	32	22	11000	16500	5100	40
F25X32X25	25	32	25	11500	18500	5100	43
F2820	28	35	20	25700	58300	4600	118
F3020	30	37	20	26800	62500	4300	42
F30X38X16	30	38	16	25500	57500	4600	37.5
F3216	32	39	16	25800	61500	4300	35
F3520	35	42	20	24000	69100	3700	49
F35X43X16	35	43	16	23500	68000	3700	41
F4020	40	47	20	30300	82600	3300	56
F4520	45	52	20	30400	90100	2900	62
F5020	50	58	20	35800	98000	2600	78

FH Series

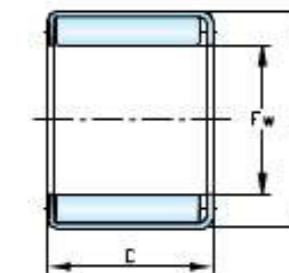


Bearing Number	Boundary Dimensions(mm)			Basic Load Ratings (N)		Limiting Speeds(rpm)	Weight (g)
	Fw	D	C	Dynamic Cr	Static Cor	Oil	(Approx.)
FH0810	8	14	10	5200	7150	7400	7
FH0910	9	15	10	8000	11500	7100	6
FH9X15X13	9	15	13	8560	12800	7100	8
FH1010	10	16	10	6350	10800	11000	6.5
FH4032	40	50	32	42500	108000	2600	88
FH40X50X38	40	50	38	44800	118500	2600	105
FH45X55X38	45	55	38	45800	12800	2900	140
FH50X60X38	50	60	38	50500	145800	2600	78

MF, MFH Series



FY Series



Bearing Number	Boundary Dimensions(mm)			Basic Load Ratings(N)		Limiting Speeds(rpm)	Weight(g)
	Fw	D	C	Dynamic Cr	Static Cor	Oil	(Approx.)
MF6.35X11.1 1X11.13	6.35	11.11	11.13	3500	6050	12000	4.1
MF3020	30	37	20	26800	62500	4300	48
MFH4032	40	50	32	42500	108000	2600	95
FY15X20X20	15	20	20	10500	16000	7100	20

Drawn Cup Roller Clutches/Clutch And Bearing Assemblies

HF Series

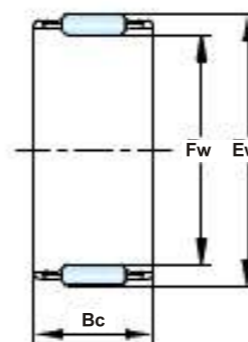
HFL Series

Bearing Number	Boundary Dimensions(mm)			Basic Load Ratings(N)		Limiting Speeds (rpm)	Weight (g)
	Fw	D	C	Dynamic Cr	Static Cor	Oil	(Approx.)
HF0812	8	12	12	3.15	17000	11000	3.5
HF1012	10	14	12	5.3	14000	11000	4
HF1216	12	18	16	12.2	10000	7000	10.5
HF1416	14	20	16	17.3	9500	8000	13
HF1616	16	22	16	20.5	8500	7500	14
HF1816	18	24	16	24.1	7500	7500	15.5
HF2016	20	26	16	28.5	7000	6500	17
HF2520	25	32	20	66	5500	5500	30.9
HF3020	30	37	20	90	4500	4500	36
HF3530	35	42	30	121	3900	3900	58

Bearing Number	Boundary Dimensions(mm)			Basic Load Ratings(N)		Limiting Speeds (rpm)	Weight (g)
	Fw	D	C	Dynamic Cr	Static Cor	Oil	(Approx.)
HFL0822	8	12	22	3.15	17000	12000	6.3
HFL1226	12	18	26	12.2	10000	7000	18
HFL1426	14	20	26	17.3	9500	8000	20.3
HFL1624	16	22	24	20.5	8500	7500	19
HFL1826	18	24	26	24.1	7500	7500	24.4
HFL2016	20	26	26	28.5	7000	6500	27
HFL2530	25	32	30	66	5500	5500	44
HFL3030	30	37	30	90	4500	4500	51

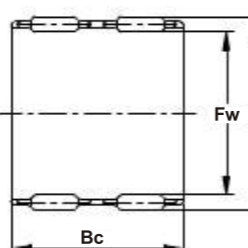
Radial Needle Roller And Cage Assemblies

K Series



Bearing Number	Boundary Dimensions(mm)			Basic Load Ratings (N)		Limiting Speeds(rpm)	Weight (g)
	Fw	Ew	Bc	Dynamic Cr	Static Cor	Oil	(Approx.)
K18X24X13	18	24	13	12900	14900	20000	12.6
K18X25X14	18	25	14	16500	18800	20000	14.9
K18X26X14	18	26	14	18000	20000	18000	19
K18X28X16	18	28	16	19000	18400	19000	24
K19X23X13	19	23	13	9300	13000	20000	8.2
K19X23X17	19	23	17	12000	18600	20000	11.1
K20X24X10	20	24	10	8700	12100	19000	6.5
K20X26X12	20	26	12	13100	15700	19000	13.2
K20X28X20	20	28	20	23400	28000	18000	26.8
K100X107X21	100	107	21	47500	126500	2700	120
K100X108X27	100	108	27	56500	142500	2700	176

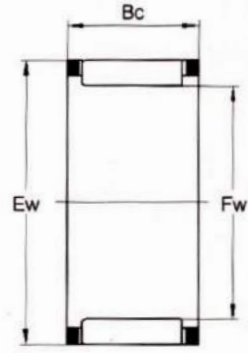
K...ZW Series



Bearing Number	Boundary Dimensions(mm)			Basic Load Ratings (N)		Limiting Speeds(rpm)	Weight (g)
	Fw	Ew	Bc	Dynamic Cr	Static Cor	Oil	(Approx.)
K15X19X24ZW	15	19	24	12800	20100	22000	10.5
K25X30X26ZW	25	30	26	21000	35000	14000	27
K35X40X30ZW	35	40	30	31500	65500	11000	48
K39X44X26ZW	39	44	26	27000	55500	10000	29.5
K40X45X30ZW	40	45	30	26000	53500	9000	48
K42X47X30ZW	42	47	30	31000	75500	9000	54
K45X51X36ZW	45	51	36	44500	98500	7000	85
K55X60X40ZW	55	60	40	48000	132000	6500	96.5
K58X65X38ZW	58	65	38	48500	106500	6000	106
K60X66X33ZW	60	66	33	45500	111500	6000	104
K62X70X40ZW	62	70	40	65500	145500	5500	147.5
K68X74X35ZW	68	74	35	48000	124500	5000	116
K70X78X46ZW	70	78	46	77500	18800	4500	230

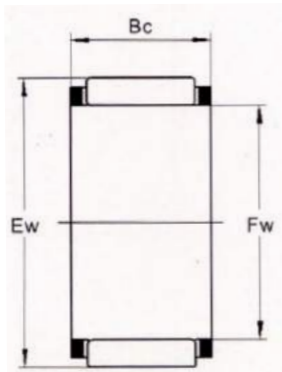
Radial Needle And Cage Assemblies For Pin Connecting Rod

KZK Series



Bearing Number	Boundary Dimensions(mm)			Basic Load Ratings(N)		Weight(g) (Approx.)
	Fw	Ew	Bc	Dynamic Cr	Static Cor	
KZK8X12X8	8	12	8	4700	4580	1.9
KZK10X14X10	10	14	10	5000	5160	3.3
KZK12X15X13	12	15	13	5300	7400	3.6
KZK14X18X10	14	18	10	7100	8500	4
KZK14.4X20.4X10	14.4	20.4	10	8100	7800	6.5
KZK15X19X10	15	19	10	7200	8400	6
KZK15X21X11	15	21	11	8500	10700	9.5
KZK15.2X22.2X12	15.2	22.2	12	8600	11100	11.5
KZK16X10X24	16	20	24	8700	9400	6.3
KZK16X22X12	16	22	12	11000	11900	9.5

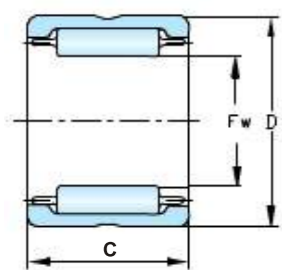
KBK Series



Bearing Number	Boundary Dimensions(mm)			Basic Load Ratings(N)		Weight(g) (Approx.)
	Fw	Ew	Bc	Dynamic Cr	Static Cor	
KBK8X11X10	8	11	10	3500	4000	1.85
KBK9X12X11.5	9	12	11.5	4200	4800	2.4
KBK9X12X13	9	12	13	4600	5800	2.75
KBK9X13X12	9	13	12	5300	5700	4.1
KBK9X13X12.5	9	13	12.5	5300	5700	4.9
KBK10X13X10	10	13	10	4200	5200	2.4
KBK10X13X14.5	10	13	14.5	5400	6600	5.1
KBK10X13X16	10	13	16	6800	7700	5.7
KBK10X14X10	10	14	10	4400	4600	3.4
KBK10X14X12.5	10	14	12.5	5600	6200	4.85
KBK10X14X13	10	14	13	5600	6200	5.4
KBK11X15X17	11	15	17	5200	7000	5
KBK12X15X13	12	15	13	5500	7300	4.6
KBK12X15X14.3	12	15	14.3	5800	7700	5.4

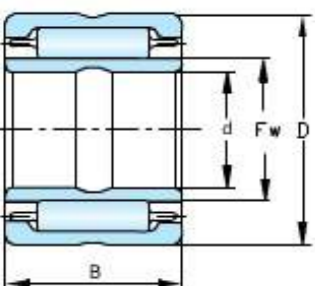
Heavy Duty Needle Roller Bearings

NK Series



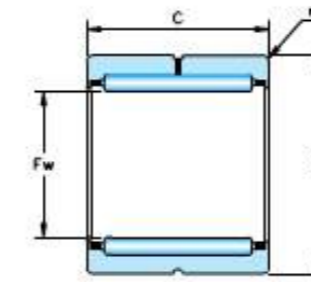
Bearing Number	Boundary Dimensions(mm)			Basic Load Ratings (N)		Limiting Speeds(rpm)	Weight (g) (Approx.)
	Fw	D	C	Dynamic Cr	Static Cor		
NK15/12	15	23	12	8600	10070	21004	18.5
NK16/20	16	24	20	10400	16800	15522	23.9
NK17/16	17	25	16	9000	13500	14163	21.5
NK18/20	18	26	20	10500	13800	13628	30.5
NK20/26/20	20	26	20	10500	11900	9125	17.2
NK20/16	20	28	16	11500	13400	12716	25.7
NK20/33/12SX	20	33	12	13000	17500	11124	29.1
NK22/16	22	30	16	13500	18000	11527	29.2
NK25/16	25	33	16	12900	20400	15000	30
NK25/20	26	34	20	17000	30000	16300	40
NK30/20	30	40	20	20600	32000	12066	57.9
NK32/20	32	42	20	17500	33500	12066	75.4
NK35/20	35	45	20	13851	26900	12000	70
NK40/20	40	50	20	19600	43000	8881	78.9
NK42/30	42	52	30	27000	49000	10000	125
NK43/20	43	63	20	25700	75000	10000	84
NK45/20	45	55	20	19800	46500	7650	81.5
NK50/25	50	62	25	28000	67000	8140	167
NK55/25	55	68	25	30600	60800	7625	167
NK60/25	60	72	25	39000	86000	7000	154

NKS Series



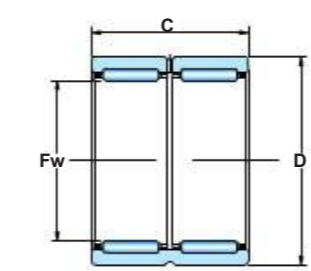
Bearing Number	Boundary Dimensions(mm)			Basic Load Ratings (N)		Limiting Speeds(rpm)	Weight (g) (Approx.)
	Fw	D	B	Dynamic Cr	Static Cor		
NKS14	14	25	16	10400	10800	17652	27
NKS16	16	28	16	14900	15000	20000	30
NKS20	20	32	20	20000	22000	18000	46.8
NKS22	22	35	20	21500	25000	17000	60.2
NKS25	25	38	20	25800	31000	16300	65
NKS28	28	42	20	25900	33500	14600	80
NKS32	32	47	22	31000	40000	12100	100

RNA49 Series



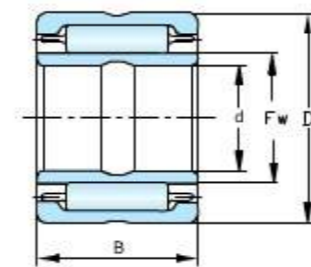
Bearing Number	Boundary Dimensions(mm)			Basic Load Ratings (N)		Limiting Speeds(rpm)	Weight (g) (Approx.)
	Fw	D	C	Dynamic Cr	Static Cor		
RNA4900	14	22	13	8060	9000	18322	24.4
RNA4901	16	24	13	6400	8900	15522	16.6
RNA4902	20	28	13	10800	12800	12716	20.5
RNA4903	22	30	13	12000	16800	16300	20.7
RNA4904	25	37	17	11912	16594	14060	50.8
RNA4905	30	42	17	13452	20475	12066	57
RNA49/28	32	45	17	17400	30050	12000	80
RNA4906	35	47	17	17000	30500	12000	62.8
RNA4907	42	55	20	19800	41500	8710	99.3
RNA4908	48	62	22	31036	63873	8120	132
RNA4909	52	68	22	37000	69500	7625	163
RNA4910	58	72	40	68000	135000	7500	296
RNA4911	63	80	25	50600	96580	6340	241
RNA4912	68	85	25	52800	91050	6100	257
RNA4913	72	90	25	57500	110500	6100	300
RNA4914	80	100	30	79000	154000	5130	400

RNA69 Series



Bearing Number	Boundary Dimensions(mm)			Basic Load Ratings (N)		Limiting Speeds(rpm)	Weight (g) (Approx.)
	Fw	D	C	Dynamic Cr	Static Cor		
RNA6900	14	22	22	8281	11612	18322	29.1
RNA6901	16	24	22	14000	18600	15522	28.7
RNA6902	20	28	23	13000	25000	12716	35.4
RNA6903	22	30	23	14000	19900	16300	39.8
RNA6904	25	37	30	26000	43000	14060	97.7
RNA6905	30	42	30	26300	31750	12066	106.5
RNA69/28	32	45	30	39500	61300	13100	125
RNA6906	35	47	30	35000	67000	12000	116
RNA69/32	40	52	36	25500	68500	881	147
RNA6907	42	55	36	26000	60500	8710	160
RNA6908	48	62	40	64000	112000	8120	238
RNA6909	52	68	40	61500	123500	7625	308
RNA6911	63	80	45	82560	172000	6340	430
RNA6912	68	85	45	88500	186000	6100	436
RNA6913	72	90	45	87600	194500	6100	571
RNA6914	80	100	54	121000	263000	5130	815

NKI Series

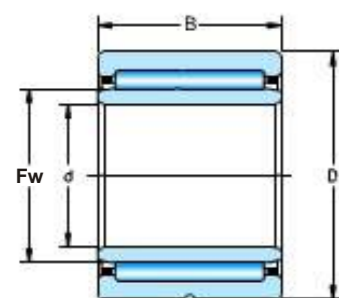


Bearing Number	Boundary Dimensions(mm)				Basic Load Ratings (N)		Limiting Speeds(rpm)	Weight (g) (Approx.)
	d	Fw	D	B	Dynamic Cr	Static Cor		
NKI8	8	14	25	16	12400	11300	21500	46
NKI9/12	9	12	19	12	6200	7002	21700	14.6
NKI10/16	10	14	22	16	9808	10500	19650	27.3
NKI12/20	12	16	24	20	14000	18400	21000	39
NKI15/20	15	19	27	20	12347	19053	19100	45.7
NKI15/16	15	19	27	16	8847	12853	19100	38
NKI17/16	17	21	29	16	13000	18200	20000	41.4
NKI20/16	20	24	32	16	10800	17000	16700	48.5
NKI22/16	22	25	34	16	8721	15340	16200	50
NKI25/30	25	29	38	30	31500	56000	14000	115
NKI35/30	35	40	50	30	22200	51350	11134	165
NKI40/20	40	45	55	20	22000	48000	10127	124
NKI40/30	40	45	55	30	35000	86000	10127	184
NKI42/20	42	47	57	20	26000	52500	9500	138
NKI45/25	45	50	62	25	36000	70000	8567	218
NKI45/35	45	50	62	35	41500	102000	8567	289
NKI50/25	50	55	68	25	32000	78000	7890	262
NKI55/35	55	60	72	35	48000	126800	7256	357
NKI60/25	60	68	82	25	35500	85000	7156	388

NKIS Series

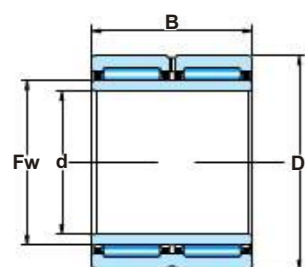
Bearing Number	Boundary Dimensions(mm)				Basic Load Ratings (N)		Limiting Speeds(rpm)	Weight (g) (Approx.)
	d	Fw	D	B	Dynamic Cr	Static Cor		
NKIS12	12	18	30	16	16000	17000	20000	58
NKIS15	15	22	35	20	23500	24000	17000	90
NKIS20	20	28	42	20	16500	35500	14000	119
NKIS25	25	32	47	22	32000	55000	12500	160
NKIS35	35	43	58	22	33000	56000	9500	210
NKIS45	45	55	72	22	43000	71000	7500	306
NKIS50	50	60	80	28	60000	95000	7200	510
NKIS60	60	70	90	28	65000	110000	6300	550

NA49 Series



Bearing Number	Boundary Dimensions(mm)				Basic Load Ratings (N)		Limiting Speeds(rpm)	Weight (g)
	d	Fw	D	B	Dynamic Cr	Static Cor	Oil	(Approx.)
NA4900	10	14	22	13	8006	9000	23700	21
NA4901	12	16	24	13	5047	6352	20000	25.1
NA4902	15	20	28	13	6447	9053	18800	32
NA4903	17	22	30	13	7010	10010	17000	32.8
NA4904	20	25	37	17	11912	16594	16200	70.2
NA49/22	22	28	39	17	12996	19175	14360	76
NA4905	25	30	42	17	13452	20475	13832	76
NA49/28	28	32	45	17	13900	20100	13832	90.7
NA49/32	32	40	52	20	19000	32600	11134	150
NA4907	35	42	55	20	19800	41500	11134	151
NA4908	40	48	62	22	31036	63873	8567	123
NA4909	45	50	68	22	37000	96500	8052	260
NA4910	50	58	72	22	41000	72000	7526	264
NA4911	55	63	80	25	50600	96580	7156	386
NA4912	60	68	85	25	52800	110500	6022	412

NA69 Series

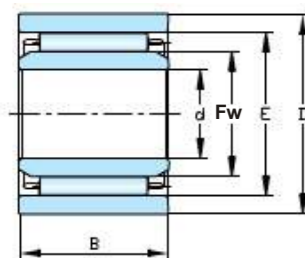


Bearing Number	Boundary Dimensions(mm)				Basic Load Ratings (N)		Limiting Speeds(rpm)	Weight (g)
	d	Fw	D	B	Dynamic Cr	Static Cor	Oil	(Approx.)
NA6900	10	14	22	22	8281	11612	23700	38.4
NA6901	12	16	24	22	11647	17052	20000	44.5
NA6902	15	20	28	23	13100	20900	18800	61.6
NA6903	17	22	30	23	14400	24900	17000	68.2
NA69/22	22	28	39	30	21375	35750	14360	130
NA6905	25	30	42	30	19300	31750	13832	138
NA69/28	28	32	45	30	22400	36850	13832	170
NA69/32	32	40	52	36	25500	68500	11134	272
NA6907	35	42	55	36	26000	60500	11134	301
NA6908	40	48	62	40	64000	112000	8567	401
NA6909	45	50	68	40	61500	123500	8052	479
NA6910	50	58	72	40	68000	135000	7526	457
NA6911	55	63	80	45	82560	172000	7156	760
NA6912	60	68	85	45	88500	186000	6022	798

NA48 Series

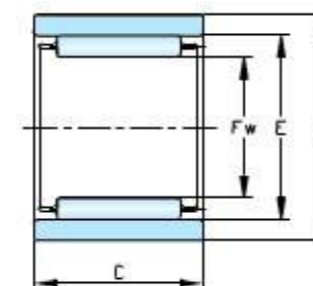
Bearing Number	Boundary Dimensions(mm)				Basic Load Ratings (N)		Limiting Speeds(rpm)	Weight (g)
	d	Fw	D	B	Dynamic Cr	Static Cor	Oil	(Approx.)
NA4822	110	120	140	30	94000	216000	3900	1080
NA4824	120	130	150	30	99000	239000	3600	1170
NA4826	130	145	165	35	118000	310000	3200	1810
NA4828	140	155	175	35	120000	325000	3000	1920

NAO Series



Bearing Number	Boundary Dimensions(mm)					Basic Load Ratings (N)		Limiting Speeds(rpm)	Weight (g)
	d	D	B	Fw	E	Dynamic Cr	Static Cor	Oil	(Approx.)
NAO6X17X10TN	6	17	10	10	13	3950	5000	17080	13
NAO9X22X12TN	9	22	12	12	18	8800	7900	12090	22
NAO12X24X13	12	24	13	16	20	8000	16000	15020	29
NAO12X24X20	12	24	20	16	20	10300	16800	20000	43
NAO12X28X12	12	28	12	16	22	9850	10500	19000	43
NAO15X28X13	15	28	13	20	24	7800	10300	20600	27.8
NAO15X32X12	15	32	12	20	26	10400	14020	20000	48.1
NAO17X30X13	17	30	13	22	26	9860	15000	20000	39
NAO17X35X16	17	35	16	22	29	16800	20050	10090	70
NAO20X35X17	20	35	17	25	29	12600	20200	16000	72
NAO20X37X16	20	37	16	25	32	10000	18000	12700	81
NAO25X40X17	25	40	17	30	35	10600	24000	10500	78.9
NAO25X42X16	25	42	16	30	37	13100	23500	10500	83
NAO25X42X32	25	42	32	30	37	26500	47000	10500	189
NAO30X45X13	30	45	13	35	40	11200	25000	11207	73
NAO30X45X17	30	45	17	35	40	12800	28500	11207	100
NAO30X45X26	30	45	26	35	40	17500	32900	11207	150
NAO30X47X16	30	47	16	35	42	14400	17500	11207	99.8
NAO30X47X18	30	47	18	35	42	20000	33000	11207	109
NAO30X52X18	30	52	18	37	44	18000	25500	10900	172
NAO35X50X17	35	50	17	40	45	20800	40506	10900	103
NAO35X55X20	35	55	20	40	47	28500	41000	10000	175
NAO35X57X20.5	35	57	20.5	42	50	26000	49000	10000	206
NAO40X55X17	40	55	17	45	50	12500	36000	9000	118
NAO40X65X20	40	65	20	50	58	35000	61200	8000	269
NAO50X68X20	50	68	20	55	60	24500	62000	7500	219
NAO50X78X20	50	78	20	60	68	33500	65000	6500	400

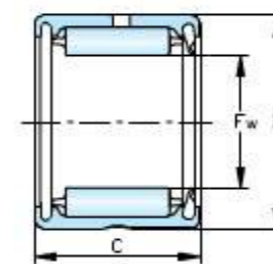
RNAO Series



Bearing Number	Boundary Dimensions(mm)				Basic Load Ratings (N)		Limiting Speeds(rpm)	Weight (g)
	Fw	D	C	E	Dynamic Cr	Static Cor	Oil	(Approx.)
RNAO15X23X13	15	23	13	19	6500	8900	21100	18.5
RNAO16X24X13	16	24	13	20	6200	8400	21100	19.8
RNAO16X28X12	16	28	12	22	9500	10500	18000	29.7
RNAO17X25X13	17	25	13	21	9400	11600	18000	21
RNAO18X30X24	18	30	24	24	12100	16500	17600	65
RNAO20X28X13	20	28	13	24	7800	9600	16000	24.5
RNAO20X32X12	20	32	13	26	10100	14100	16000	36.6
RNAO22X35X13	22	30	13	26	9200	12000	14000	25.2
RNAO22X35X16	22	35	16	29	10000	15500	16000	58
RNAO25X35X17	25	35	17	29	10900	22000	15020	49
RNAO25X37X32	25	37	32	32	25000	38900	12000	108
RNAO26X39X13	26	39	13	30	87600	10200	15020	59
RNAO30X40X17	30	40	17	35	12600	24000	10050	59
RNAO30X42X32	30	42	32	37	29500	47000	10050	126
RNAO35X45X13	35	45	13	40	10200	22000	10000	50
RNAO35X47X32	35	47	32	42	32000	55000	10000	149
RNAO37X52X18	37	52	18	44	118900	35500	8800	115
RNAO40X50X17	40	50	17	45	15400	29880	8800	72
RNAO40X55X40	40	55	40	48	54700	87000	10000	268
RNAO42X57X20	42	57	20	50	26720	43700	10000	132
RNAO45X55X17	45	55	17	50	18000	36000	9000	82.5
RNAO45X62X40	45	62	40	53	42200	85050	9000	368
RNAO50X62X20	50	62	20	55	20690	46860	7500	140
RNAO50X65X20	50	65	20	58	23200	40540	7000	162
RNAO55X68X20	55	68	20	60	22480	52074	6500	157
RNAO60X78X20	60	78	20	68	28500	65300	5550	253
RNAO60X78X40	60	78	40	68	45000	99000	5550	368

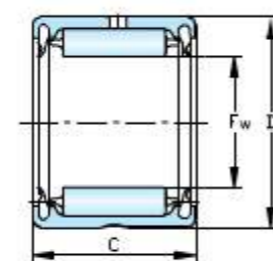
Sealed Heavy Duty Needle Roller Bearings

RNA49...RS Series

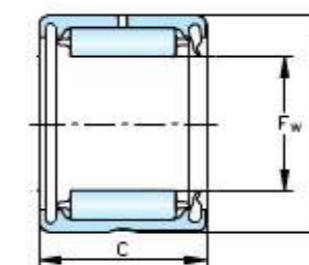


Bearing Number	Boundary Dimensions(mm)			Basic Load Ratings (N)		Limiting Speeds(rpm)	Weight (g)	
	Fw(F)	D	C	Dynamic Cr	Static Cor	Oil	(Approx.)	
RNA4900-RS	RNA4900-2RS	14	22	13	4560	4660	13000	16
RNA4901-RS	RNA4901-2RS	16	24	13	4950	5800	12000	18
RNA4902-RS	RNA4902-2RS	20	28	13	5980	9500	10000	21.5
RNA4903-RS	RNA4903-2RS	22	30	13	6050	10100	9000	23
RNA4904-RS	RNA4904-2RS	25	37	17	14900	17500	7500	56
RNA4905-RS	RNA4905-2RS	30	42	17	16300	21500	6500	60
RNA4906-RS	RNA4906-2RS	35	47	17	20020	24900	5500	69
RNA4907-RS	RNA4907-2RS	42	55	20	22500	37000	4800	107
RNA4908-RS	RNA4908-2RS	48	62	22	33050	50900	4200	154
RNA4909-RS	RNA4909-2RS	52	68	22	34800	56800	3900	157
RNA4910-RS	RNA4910-2RS	58	72	22	37800	61500	3500	160

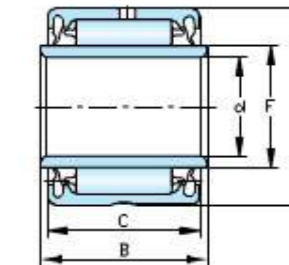
RNA49...2RS Series



NA49...RS Series



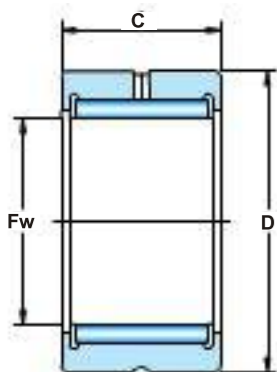
NA49...2RS Series



Bearing Number	Boundary Dimensions(mm)					Basic Load Ratings (N)		Limiting Speeds(rpm)	Weight (g)
	d	Fw(F)	D	C	B	Dynamic Cr	Static Cor	Oil	(Approx.)
NA4900-RS	NA4900-2RS	10	14	22	13	4560	4660	13000	24.5
NA4901-RS	NA4901-2RS	12	16	24	13	5980	9500	12000	27.5
NA4902-RS	NA4902-2RS	15	20	28	13	5980	9500	10000	37
NA4903-RS	NA4903-2RS	17	22	30	13	6050	10100	9000	40
NA4904-RS	NA4904-2RS	20	25	37	17	14900	17500	7500	80
NA4905-RS	NA4905-2RS	25	30	42	17	16300	21500	6500	89.5
NA4906-RS	NA4906-2RS	30	35	47	17	20050	24900	5500	104
NA4907-RS	NA4907-2RS	35	42	55	20	22500	37000	4800	175
NA4908-RS	NA4908-2RS	40	48	62	22	33050	50900	4200	252
NA4909-RS	NA4909-2RS	45	52	68	22	34800	56800	3900	290
NA4910-RS	NA4910-2RS	50	58	72	22	37800	61500	3500	295

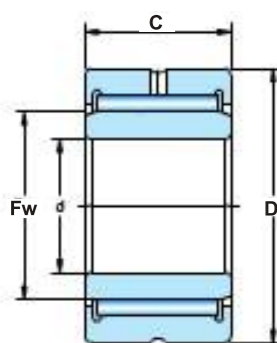
Full Components Needle Roller Bearings

RNAV Series



Bearing Number	Boundary Dimensions(mm)			Basic Load Ratings (N)		Limiting Speeds(rpm)	Weight (g)
	Fw	D	C	Dynamic Cr	Static Cor		
RNAV4002	21.87	32	17	10800	29800	4500	45
RNAV4003	24.3	35	18	17900	37900	4300	62
RNAV4004	28.7	42	22	28150	60900	3900	114
RNAV4005	33.5	47	22	33800	70800	3700	129
RNAV4006	40.1	55	25	49900	96500	3500	193
RNAV4007	45.9	62	27	47600	122800	3100	259
RNAV4008	51.6	68	28	49900	137900	2700	304
RNAV4009	57.4	75	30	52500	153500	2600	390
RNAV4010	62.1	80	30	55700	166000	2500	426
RNAV4011	69.8	90	35	68500	225800	2300	645
RNAV4012	74.6	95	35	75400	239000	2100	677
RNAV4013	80.3	100	35	79500	256900	1900	692
RNAV4014	88	110	40	98800	354900	1700	950

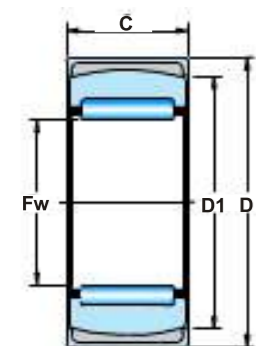
NAV Series



Bearing Number	Boundary Dimensions(mm)			Basic Load Ratings (N)		Limiting Speeds(rpm)	Weight (g)
	Fw	D	C	Dynamic Cr	Static Cor		
NAV4002	15	32	17	10800	29800	4500	76
NAV4003	17	35	18	1700	37900	4300	94
NAV4004	20	42	22	28150	60900	3900	170
NAV4005	25	47	22	33800	70800	3700	195
NAV4006	30	55	25	49900	96500	3500	299
NAV4007	35	62	27	47600	122800	3100	402
NAV4008	40	68	28	49900	137900	2700	482
NAV4009	45	75	30	52500	153500	2600	617
NAV4010	50	80	30	55700	166000	2500	669
NAV4011	55	90	35	68500	225800	2300	55
NAV4012	60	95	35	75400	239000	2100	1087
NAV4013	65	100	35	79500	256900	1900	1156
NAV4014	70	110	40	98800	354900	1700	1666

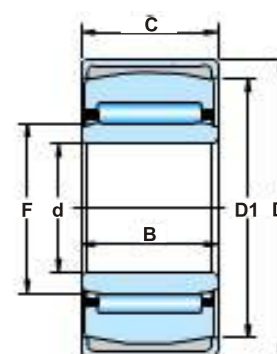
Self-Aligning Needle Roller Bearings

RPNA Series



Bearing Number	Boundary Dimensions(mm)				Basic Load Ratings (N)		Limiting Speeds(rpm)	Weight (g)
	Fw(F)	D	B(C)	D1	Dynamic Cr	Static Cor		
RPNA15/28	15	28	12	24.5	4660	5700	24000	32
RPNA18/32	18	32	16	27	9800	14000	22000	52
RPNA20/35	20	35	16	30.5	10500	15500	21000	62
RPNA25/42	25	42	20	36.5	14900	27800	18000	109
RPNA28/32	28	44	20	38.5	20500	31900	16000	112
RPNA30/47	30	47	20	42	20980	33500	15000	125
RPNA35/52	35	52	20	47.5	21500	39600	13000	131
RPNA40/55	40	55	20	50.5	24000	44700	11000	141
RPNA45/62	45	62	20	58	24800	50900	10000	176

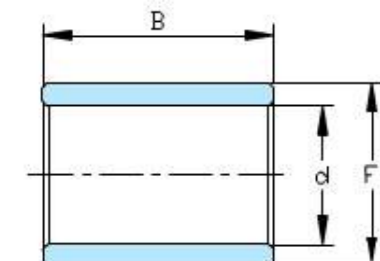
PNA Series



Bearing Number	Boundary Dimensions(mm)						Basic Load Ratings (N)		Limiting Speeds(rpm)	Weight (g)
	d	Fw(F)	D	B(C)	D1	S1	Dynamic Cr	Static Cor		
PNA12/28	12	15	28	12	24.5	0.5	4660	5700	24000	37
PNA15/32	15	18	32	16	27	0.5	9800	14000	22000	62
PNA17/35	17	20	35	16	30.5	0.5	10500	15500	21000	73
PNA20/42	20	25	42	20	36.5	0.5	14900	27800	18000	136
PNA22/44	22	28	44	20	38.5	0.5	20500	31900	16000	145
PNA25/47	25	30	47	20	42	0.5	20980	33500	15000	157
PNA30/52	30	35	52	20	47.5	0.5	21500	39600	13000	181
PNA35/55	35	40	55	20	50.5	0.5	24000	44700	11000	177
PNA40/62	40	45	62	20	58	0.5	24800	50900	10000	227

Inner Rings

IR Series



Bearing Number	Boundary Dimensions(mm)			Weight (g)
	d	F	B	
IR8X12X10	8	12	10	4.8
IR9X12X12	9	12	12	4.5
IR10X13X12.5	10	13	12.5	5.2
IR10X14X12	10	14	12	7.3
IR12X14X15.5	12	17	15.5	8.4
IR12X15X12	12	15	12	5.8
IR12X16X12	12	16	12	7.9
IR12X17X22.5	12	17	22.5	10.2
IR15X18X16	15	18	16	9.6

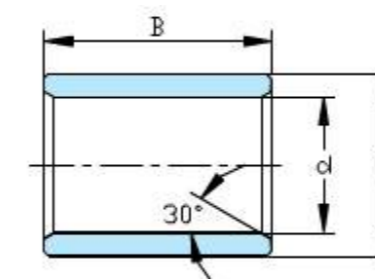
Bearing Number	Boundary Dimensions(mm)			Weight (g)
	d	F	B	
IR15X19X20	15	19	20	16.4
IR15X20X12	15	20	12	12.1
IR17X20X16	17	20	16	10.7
IR17X21X16	17	21	16	14.3
IR17X22X13	17	22	13	14.9
IR17X24X20	17	24	20	33.6
IR20X24X16	20	24	16	16.5
IR20X25X30	20	25	30	40.9
IR20X28X20	20	28	20	45.2

Bearing Number	Boundary Dimensions(mm)			Weight (g)
	d	F	B	
IR22X26X16	22	26	16	17.5
IR22X28X30	22	28	30	26.7
IR25X29X20	25	29	20	25.5
IR25X30X38.5	25	30	38.5	63.8
IR25X32X22	25	32	22	51.7
IR28X32X17	28	32	17	24.5
IR29X32X13	29	32	13	14.8
IR30X35X13	30	35	13	25
IR30X37X22	30	37	22	60.8
IR30X38X20	30	38	20	64.8
IR32X37X20	32	37	20	42
IR32X40X20	32	40	20	68

Bearing Number	Boundary Dimensions(mm)			Weight (g)
	d	F	B	
IR33X37X13	33	37	13	21.9
IR34X42X20	34	42	20	29
IR35X40X17	35	40	17	38.3
IR35X42X36	35	42	36	117
IR35X43X22	35	43	22	82
IR38X43X30	38	43	30	73.6
IR40X45X17	40	45	17	42.5
IR40X48X23	40	48	23	97.3
IR40X50X22	40	50	22	118
IR42X47X20	42	47	20	53.5
IR45X50X25	45	50	25	71.1
IR45X52X22	45	52	22	89

Bearing Number	Boundary Dimensions(mm)			Weight (g)
	d	F	B	
IR45X55X22	45	55	22	130
IR45.2X58X36	45.2	58	36	126
IR47X60X35	47	60	35	130
IR50X55X20	50	55	20	62.6
IR50X58X40	50	58	40	209
IR50X60X20	50	60	20	129
IR55X60X35	55	60	35	121
IR55X63X25	55	63	25	141
IR55X65X28	55	65	28	198
IR60X65X41	60	65	41	214
IR60X68X25	60	68	25	152

LR Series

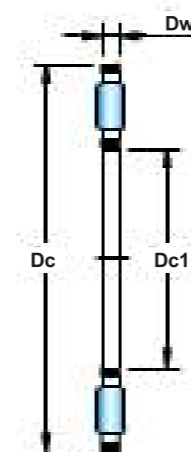


Bearing Number	Boundary Dimensions(mm)			Weight (g)
	d	F	B	
LR7X10X10.5	7	10	10.5	3.09
LR8X12X10.5	8	12	10.5	5
LR10X13X12.5	10	13	12.5	5.2
LR12X15X12.5	12	15	12.5	6.1
LR15X18X12.5	15	18	12.5	7.2
LR17X21X20	17	21	20	18
LR17X20X16.5	17	20	16.5	11.1
LR20X25X16	20	25	16	21.1

Bearing Number	Boundary Dimensions(mm)			Weight (g)
	d	F	B	
LR22X28X20.5	22	28	20.5	36
LR25X30X12.5	25	30	12.5	20
LR30X35X12.5	30	35	12.5	23.3
LR35X40X12.5	35	40	12.5	27.2
LR40X45X20.5	40	45	20.5	52.5
LR45X50X20.5	45	50	20.5	58.8
LR50X55X25	50	55	25	77.8

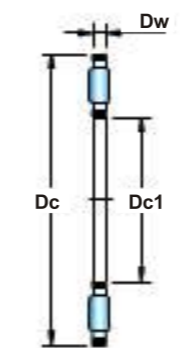
Thrust Needle Roller And Cage Assemblies

AXK Series



Bearing Number	Boundary Dimensions(mm)			Basic Load Ratings (N)		Limiting Speeds(rpm)	Weight (g)
	Dc1	Dc	Dw	Dynamic Cr	Static Cor		
AXK0821TN	8	21	2	7750	19000	15000	2
AXK1024	10	24	2	9150	24500	14000	3
AXK1226	12	26	2	9860	28600	13000	3
AXK1528	15	28	2	11200	35500	11000	4
AXK1730	17	30	2	11800	38600	10000	4
AXK2035	20	35	2	12900	45600	8500	5
AXK2542	25	42	2	13800	57800	7000	7
AXK3047	30	47	2	15600	69500	6000	8
AXK3552	35	52	2	16900	80100	5500	10
AXK4060	40	60	3	27500	113500	4700	16
AXK4565	45	65	3	29050	127600	4200	18
AXK5070	50	70	3	31500	13800	3900	20
AXK5578	55	78	3	37400	185000	3500	28
AXK6085	60	85	3	43900	232500	3200	33
AXK6590	65	90	3	45800	254600	3000	35
AXK7095	70	95	4	53600	254400	2900	60
AXK75100	75	100	4	54500	264600	2700	61
AXK80105	80	105	4	55600	278500	2600	63

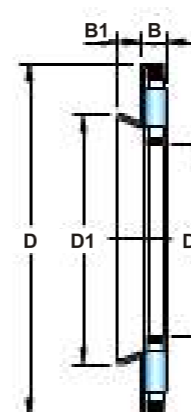
Inch Series



Bearing Number	Boundary Dimensions(mm)			Basic Load Ratings (N)		Limiting Speeds(rpm)	Weight (g)
	Dc1	Dc	Dw	Dynamic Cr	Static Cor		
NTA-512	7.92	19.5	1.984	4600	4100	7000	2
NTA-1423	22.22	36.5	1.984	10400	40800	50000	5
NTA-3244	50.8	69.85	1.984	19500	115130	5600	18

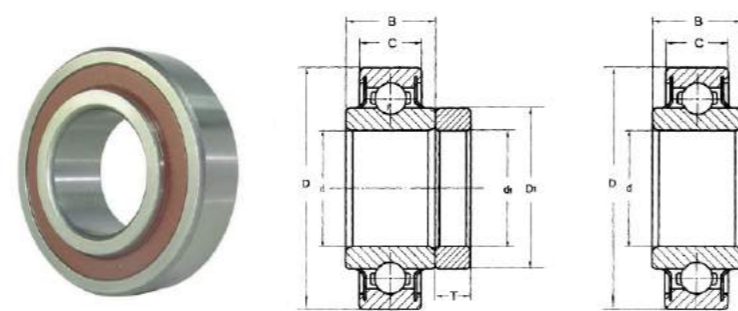
Axial Needle Roller

AXW Series



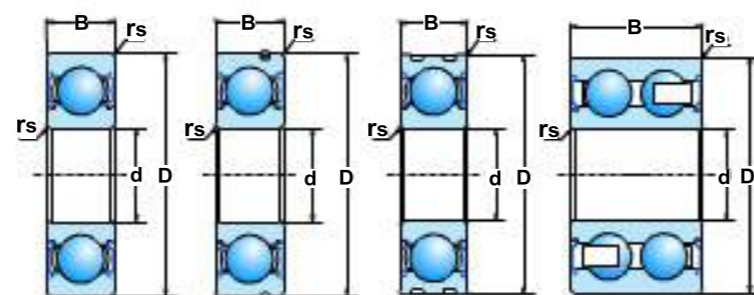
Bearing Number	Boundary Dimensions(mm)					Basic Load Ratings (N)		Limiting Speeds(rpm)	Weight (g)
	Dc1	D1	D	B	B1	Dynamic Cr	Static Cor		
AXW10	10	14	27	3.2	3	9100	24000	14000	8.3
AXW12	12	16	29	3.2	3	8900	27800	13000	9.1
AXW15	15	21	31	3.2	3.5	10500	35000	11000	10.1
AXW17	17	23	33	3.2	3.5	10900	38800	10000	11
AXW20	20	26	38	3.2	3.5	12700	45600	8500	14
AXW25	25	32	45	3.2	4	13900	57500	7000	19.5
AXW30	30	37	50						

Truck, Trailer Bearings -Deep Groove Ball Bearings



Bearing Number	Boundary Dimensions(mm)				Locking Ring Dimensions(mm)			Weight(Kg)	
	d	D	B	C	d1	D1	T	Bearing	Ring
88502	15	35	14.4	11				0.12	
88503	17	40	16.6	12				0.16	
88505	25	52	16.8	15				0.2	
88506	30	62	24	16				0.26	
RWF34R	34	68	24	21	33.92	47.7	8.6	0.26	0.065
RW507CR	35	69.789	17.78	16.7	34.93	50	15.4	0.3	0.1
RW207CCR	35	72	21.46	-	34.93	50	10	0.35	0.08
88507	35	72	25	17				0.35	
88107R	35	72	25	17	34.92	41.45	7.8	0.35	0.05
88107	35	72	25	17				0.35	
RWC35YYR	36.373	73.05	23.62	17.7	36.29	50.5	9.65	0.36	0.07
88128RA	38.894	80	27.5	21	38.77	58	16.45	0.48	0.16
88128RB	38.894	80	27.5	21	38.77	62	10.3	0.48	0.14
88128	38.894	80	27.5	21				0.48	
88128R	38.894	80	27.5	21	38.77	54	9.86	0.48	0.09
88508A	40	72	22	17				0.32	
88508	40	80	27	21				0.45	
208KRR	40	80	27	18				0.44	
88509	45	85	27	21				0.55	
209KRR	45	85	27	19				0.53	
88510	50	90	30	22				0.6	
210KRR	50	90	30	20				0.58	
88511	55	100	31	23				0.88	
211KRR	55	100	31	21				0.85	
88512	60	110	36	22				1.02	
212KRR	60	110	36	22				1.1	

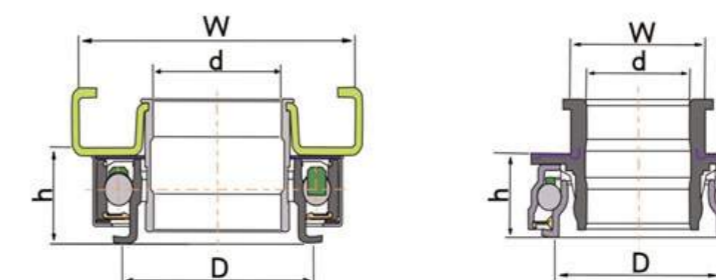
Alternator & Starter Bearings -Deep Groove Ball Bearing



Bearing Number	Boundary Dimensions(mm)				Basic Load Ratings(N)		Limiting Speeds (rpm)	Weight (Kg)	Remarks
	d	D	B	rsmin	Dynamic Cr	Static Cor			
608-2RDA	8	22	7	0.3	3350	1400	32000	0.015	
B874-2RDA	8	22	11	0.3	3350	1400	32000	0.03	with retaining ring
B800-2RDA	8	23	14	0.3	3350	1400	32000	0.04	with 2 nylon tolerance rings
B879-2RDA	8	23	11	0.3	3350	1400	32000	0.03	with retaining ring
B885-2RDA	8	23	14	0.3	3350	1400	32000	0.04	with retaining ring
629-2RDA	9	26	8	0.3	4550	1960	30000	0.023	
B1046-2RDA	10	23	11	0.3	2700	1270	30000	0.023	with retaining ring
62000-2RDA	10	25	10	0.3	4550	1960	26000	0.024	
6000-2RDA	10	26	8	0.3	4550	1960	29000	0.019	
6-100-2RDA	10	26	8	0.3	4550	1960	29000	0.019	with 2 nylon tolerance rings
B1050-2RDA	10	27	11	0.3	4550	1960	29000	0.03	with retaining ring
B900-2RDA	10	27	14	0.3	4550	1960	29000	0.04	with 2 nylon tolerance rings
6200-2RDA	10	30	9	0.6	5100	2390	25000	0.035	
6001-2RDA	12	28	8	0.3	5100	2390	26000	0.024	
6201-2RDA	12	32	10	0.6	6100	2750	22000	0.04	
62201-2RDA	12	32	14	0.6	6100	2750	22000	0.049	
B2012-2RDA	12	32	10	0.6	6100	2750	22000	0.04	with retaining ring
B2011-2RDA	12	35	18	0.6	6100	2750	22000	0.07	
6301-2RDA	12	37	12	1	9700	4200	20000	0.064	
R8-2RDA	12.7	28.58	7.938	0.4	4040	1750	19000	0.018	Inch size: 1/2"x1-1/8"x5/16"
6202-2RDA	15	35	11	0.6	7750	3600	19000	0.048	
B2021-2RDA	15	35	13	0.6	7750	3600	19000	0.052	
B2022-2RDA	15	38	19	0.6	7750	3600	19000	0.12	
6302-2RDA	15	42	13	1	11400	5450	17000	0.085	

Bearing Number	Boundary Dimensions(mm)				Basic Load Ratings(N)		Limiting Speeds (rpm)	Weight (Kg)	Remarks
	d	D	B	rsmin	Dynamic Cr	Static Cor			
B3021-2RDA	15	43	13	1	11400	5450	17000	0.086	
B3022-2RDA	15	46	14	1	13500	6550	16000	0.058	
B1583-2RDA	15	47	18	0.3	6800	3350	20000	0.068	
B3031-2RDA	15	47	14	1	13500	6550	16000	0.06	
B3041-2RDA	15	52	16	1.1	15900	7900	14000	0.07	
6903-2RDA	17	30	7	0.3	4650	2580	22000	0.021	
6003-2RDA	17	35	10	0.3	6800	3350	20000	0.042	
6203-2RDA	17	40	12	0.6	9600	4600	18000	0.072	
6303-2RDA	17	47	14	1	13500	6550	16000	0.12	
B1594-2RDA	17	47	18	0.3	6800	3350	20000	0.128	
B3032-2RDA	17	47	24	1	13500	6550	16000	0.136	Double row ball
B3042-2RDA	17	52	16	1.1	15900	7900	14000	0.068	
B3043-2RDA	17	52	17	1.1	15900	7900	14000	0.07	
B3044-2RDA	17	52	18	1.1	15900	7900	14000	0.072	
6904-2RDA	20	37	9	0.3	6400	3700	19000	0.041	
6004-2RDA	20	42	12	0.6	9400	5050	18000	0.072	
6204-2RDA	20	47	14	1	12800	6650	16000	0.11	
6304-2RDA	20	52	15	1.1	15900	7900	14000	0.15	
6905-2RDA	25	42	9	0.3	7050	4550	16000	0.046	
6005-2RDA	25	47	12	0.6	10400	5850	15000	0.085	
6205-2RDA	25	52	15	1	14000	7850	13000	0.132	
6305-2RDA	25	62	17	1.1	21200	10900	12000	0.24	
63305-2RDA	25	62	25.4	1.1	21200	10900	8100	0.384	
6906-2RDA	30	47	9	0.3	7250	5000	14000	0.05	
6006-2RDA	30	55	13	1	13200	8300	13000	0.12	
6206-2RDA	30	62	16	1	19500	11300	11000	0.208	
6306-2RDA	30	72	19	1.1	26700	15000	10000	0.39	
63306-2RDA	30	72	30.2	1.1	26700	15000	6600	0.553	
6209-2RDA	45	85	19	1.1	32500	20400	7800	0.44	

Clutch Release Bearing

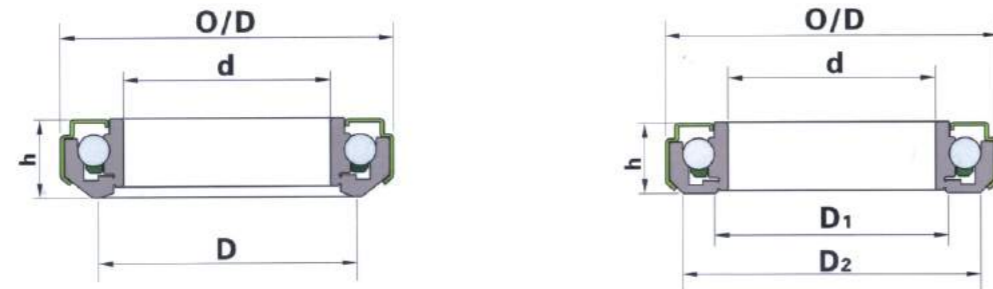


VKC2080				VKC2193				VKC2523				VKC2516J			
d	D	h	W	d	D	h	W	d	D	h	W	d	D	h	W
23.5	34	24	50	24	34	20	68	24	34	18.5	29	24.4	34	18.5	61.5
VKC2216				VKC2516				VKC2535				VKC2536			
d	D	h	W	d	D	h	W	d	D	h	W	d	D	h	W
24.5	34	20.5	61.5	24.5	34	20.5	62	25.5	34	13	78	25.5	34	21.5	78
VKC2191				VKC2248				VKC2239				VKC3674			
d	D	h	W	d	D	h	W	d	D	h	W	d	D	h	W
26.5	34	19.5	29.8	26.5	39.5	37	37	26.7	39.5	34	71	27.1	—	13.5	83.8
VKC3578				48RCT3303(KOYO)				VKC3668				VKC3567			
d	D	h	W	d	D	h	W	d	D	h	W	d	D	h	W
28	44	22.5	45	33.1	48	23.5	42.5	28	44	22	35	28	44	22	56

VKC3588 				VKC3551 				VKC3562 				VKC2168 			
d	D	h	W	d	D	h	W	d	D	h	W	d	D	h	W
28	44	22.5	44.5	28	38	10	62	28	44	20.5	40	28	39.5	26.5	90
VKC3623 				VKC3579 				VKC3602 				VKC3609 			
d	D	h	W	d	D	h	W	d	D	h	W	d	D	h	W
28	50	22	56	32	55	27	46	29	47	21	38	29.2	47	21	38
VKC2189 				VKC3508 				VKC2520 				VKC3617 			
d	D	h	W	d	D	h	W	d	D	h	W	d	D	h	W
30	40	23.5	79	31	55	23	53	31	39.5	24	69	31	47	23	53
VKC3552 				VKC3515 				VKC3592 				VKC3666 			
d	D	h	W	d	D	h	W	d	D	h	W	d	D	h	W
31.1	48	35.5	46	32	48	21	60	32	55	32	46	32	48	23	46
VKC3564 				VKC3622 				VKC3560 				VKC3568 			
d	D	h	W	d	D	h	W	d	D	h	W	d	D	h	W
33	50	22	70.5	33	50	22	79	33	62	13	68	33	50	25	77
VKC3610 				VKC3581 				VKC3555 				VKC3556 			
d	D	h	W	d	D	h	W	d	D	h	W	d	D	h	W
33	62	23	69	33	62	20.5	69	33	48	13	68	33	50	22	70
VKC2169 				VKC3607 				VKC3611 				VKC2051 			
d	D	h	W	d	D	h	W	d	D	h	W	d	D	h	W
33	39.5	24	101	33	50	25	70	33	48	22.5	69	33	40	24	66
VKC3619 				VKC3598 				VKC3613 				VKC3620 			
d	D	h	W	d	D	h	W	d	D	h	W	d	D	h	W
33	44	25	70	33	62	18	68	33	62	25	68	33.1	—	25.5	68.7
VKC3605 				VKC2091 				VKC2548 				VKC3616 			
d	D	h	W	d	D	h	W	d	D	h	W	d	D	h	W
35	55	24	58	34	44/62	16	77	34	42/56	22	90.5	35	50	34	44

VKC3615 				VKC3650 				VKC3577 				VKC3516 			
d	D	h	W	d	D	h	W	d	D	h	W	d	D	h	W
35	50	30	44	35	68	33	44	35	55	24	72	35	60	25	76
VKC3626 				VKC3628 				VKC3625 				VKC3524 			
d	D	h	W	d	D	h	W	d	D	h	W	d	D	h	W
35	50	27	44	35	50	24	44	35	60	25	79	35	54	34	57
VKC3643 				VKC2240 				VKC2215 				VKC3584 			
d	D	h	W	d	D	h	W	d	D	h	W	d	D	h	W
35	68	30	44	35	42/56	29.6	78.8	35	44/58	18	41.5	35.5	60	25	79
VKC3507 				VKC3600 				VKC5052H 				VKC5006 			
d	D	h	W	d	D	h	W	d	D	h	W	d	D	h	W
36	54	27	77	36	54	24.5	78	36.5	45/68	17.3	42	36.5	41/63	25	42.6
VKC3559 				VKC3554 				VKC3695 				VKC3627 			
d	D	h	W	d	D	h	W	d	D	h	W	d	D	h	W
37	58	31	56	37	48	20.5	—	38	42/56	17	46	38	68	47.5	48
VKC3644 				VKC3649 				VKC3645 				VKC2238 			
d	D	h	W	d	D	h	W	d	D	h	W	d	D	h	W
38	68	34	48	38	68	37	48	38	68	53.5	48	38.2	41/60	17	46
VKC3558 				VKC3565 				VKC3606 				VKC2205 			
d	D	h	W	d	D	h	W	d	D	h	W	d	D	h	W
40	54	23	—	40	62	23	—	42	60	19	—	42	56/85	32	56
VKC3574 				VKC3621 				VKC3587 				VKC3631 			
d	D	h	W	d	D	h	W	d	D	h	W	d	D	h	W
43	62	24	—	47	62	24	—	47	68	49	68	54	60/78	23	—
VKC2195 				CB1706C(ETC) 				CB2140SC(ETC) 				CB2117C/AMB(ETC) 			
d	D	h	W	d	D	h	W	d	D	h	W	d	D	h	W
—	33	19	—	36.5	44/67	17.2	42.2	35.1	44/67	17.5	40.3	33.8	48	25.5	76.4

CB1684C(ETC)				CR1223(ETC)				CR1172(ETC)				CB4121C(ETC)			
d	D	h	W	d	D	h	W	d	D	h	W	d	D	h	W
37.15	52.5	37	49	24.1	34	24	50	25.7	34	21.5	79.2	30.5	44	20.5	45



VKC3504				VKC3509				VKC3505				VKC3543			
d	D	h	OD	d	D	h	OD	d	D	h	OD	d	D	h	OD
33	47	17	60.2	35	44	14	57	38.1	48	16.4	67	38.1	44/62	15.875	67
VKC3502				VKC3500				VKC3506				VKC3520			
d	D	h	OD	d	D	h	OD	d	D	h	OD	d	D	h	OD
40	50	20	67	40	62	19	75	40	49	16	64	40	45/58	14	64
VKC3519				VKC3612				VKC3523				VKC3548			
d	D	h	OD	d	D	h	OD	d	D	h	OD	d	D	h	OD
40	41/62	18	70	40	62	19	68	45	58	23	77	45	66	23	77
VKC3511				VKC3537				VKC3545				VKC3513			
d	D	h	OD	d	D	h	OD	d	D	h	OD	d	D	h	OD
45	55	18	74	45	62	18	74	45	46/69	19	77	45	46/68	16	73
VKC3575				VKC3538				VKC3540				VKC3514			
d	D	h	OD	d	D	h	OD	d	D	h	OD	d	D	h	OD
52.4	68	26	93.6	52.4	61/87	20	93.6	55	68	22	88	55	60/81	20	88
VKC3566				VKC3525				VKC3546				VKC3661			
d	D	h	OD	d	D	h	OD	d	D	h	OD	d	D	h	OD
55	61/84	19	86	55	56/74	16	82	60	69/89	22	96.6	62	63/89	22	97
VKC3527				VKC3541				VKC3512				CT1310ARSE(KOYO)			
d	D	h	OD	d	D	h	OD	d	D	h	OD	d	D	h	OD
65	66/94	22	102	70	71/107	27	117	80	81/109	27	127	63.5	70/98	22	100

Reference Table

SKF	KOYO	NACHI	NSK	NTN	VALEO	ETC
VKC3578	CBU442822		44TKB2805R	FCR44-25-4/2E	PRB-59	
VKC3564	RCTS338SA1 RCTS338SA2		50TKB3304 50TKE3301	FCR50-30-2 FCR50-20/2E	PRB-07	
VKC3559	RCT371SA		58TKA3702U3 58TKA3703 58TKA3703B		PRB-50	
VKC3515	RCT322SA	48SCRN32K	48TKA3201U3 48TKB3202		PRB-01	
VKC3623	RCTS28SA					
VKC3616	RCT356SA9 RCT356SA9-1 RCTS356SA9	50SCRN44S-2	50TKB3504BR 50TKB3504BRA		PRB-42	
VKC3622		50SCRN31P-1 50SCRN31P-4				
VKC3695			50TKA3805		PRB-08	CR1193
VKC3558	RCT401SA		54TKA3501			
VKC3554	BCT37SA1		48TKA3214			
VKC3609		47SCRN34K-6 54SCRN042P 54SCRN042S	54TKE3602A	FCR54/10/2E FCR54-2/2E FCR54-33-1/2E FCR54-46-2/2E FCR54-58/2E	PRB-10	F-218286.2
VKC3507	RCT363SA RCT363SA-1					
VKC3606	RCT422SA1				PRB-46	
VKC3560	RCTS33SA-1		62TKA3309U3 62TKA3310 62TKB3301 62TKB3304A 62TKB3304B	FCR62-26/2E FCR62-26-5/2E FCR62-5/2E FCR62-9/2E		
VKC3668		44SCRN28P-8				
VKC3600				FCR54-13/2E FCR54-19/2E FCR54-47-2/2E FCR54-48/2E FCR54-48-3/2E	PRB-09	F-224042.1
VKC3615	RCT356SA6	50SCRN40P-4	50TKB3505BR			
VKC3579	RCTS325SA			FCR55-17-11/2E FCR55-10/2E FCR55-17/2E	PRB-02	
VKC3568	RCT331SA RCT336SA	50SCRN40K	54TKE3601	FCR50-10/2E FCR50-10-1/2E FCR50-1/2E		
VKC3610				FCR62-11/2E FCR62-29/2E FCR62-29-5/2E FCR62-29-7/2E		
VKC3581				FCR62-13/2E FCR62-32-10/2E FCR62-32-11/2E FCR62-32-12/2E FCR62-32-1/2E FCR62-32-2E FCR62-32/2E		
VKC3602	CBU472921	47SCRN35-P2 47SCRN35-P6		FCR47--8-3/2E FCR47-8-4/2E		
VKC3592			55TKA3201	FCR55-1/2E		
VKC3650		68SCRN43A 68SCRN58P-2 68SCRN58P-5				
VKC3627		68SCRN46P 68SCRN53P-4				
VKC3644						
VKC3508	RCTS31SA		55TKA3102 55TKA3102A 55TKA3102U3	X10-FCR55-5/2E	PRB-31	
VKC3574	RCT432SA					
VKC3565	RCT40SA RCT40SA2 RCT40SA3		62TKA3303U3 62TKC4001			
VKC2091					355538 358273	CR1245
VKC3577	CBU553524 RCTS354SA	55SCRN41P				
VKC3567	RCT283SA			FCR44-9/2E	PRB-06	
VKC3516	RCTS351SA4	60SCRN03303 60SCRN033-3	60TKA3502U3		PRB-62	
VKC3621	RCT473SA					
VKC3626	RCT356SA8	50SCRN37P-4 50SCRN34P-4 50TKB3501	50TKB3501BR			
VKC3628		60SCRN	60TKB3500R 60TKB3506R			
VKC3625			48TKA3301 48TKB3301 48TKB3302A	FCR48-12/2E FCR48-23/2E FCR48-23-4/2E		
VKC3555	RCTS33A3		50TKA3305R 50TKA3305RU3 50TKB3301BR 55TKA3305R		PRB-44	
VKC3556	RCT337SA3 RCTS335SA4	50SCRN028-1 50SCRN28P-5 50SCRN31P				
VKC2193					265172	CR1225
VKC2535					804010	Cr1171
VKC3524	RCTS355SA			FCR54-15/2E	PRB-64	

SKF	KOYO	NACHI	NSK	NTN	VALEO	ETC
VKC3649		68SCRN48P 68SCRN53P-4A				
VKC2169					094230	CR1206 21690
VKC2192					266121	CR1215
VKC3587	RCT47SA1 RCT4700SA					
VKC3631			78TKC5401			
VKC3643			68TKB3506AR 68TKB3802AP			
VKC3645	48RCT3301 48RCT3303					
	RCTS338SA4		61TKB3001/00			CB2130SC
				FCR50-17-8/2B FCR50-1		
						F45458.1 CT24HS CB1706C CB1705C CR1144 CR1205 EM3151069131 614018SC M-614018 CR1172 445231 CR1207 CR1238 20800 CR1223 CR1244 F-201769
VKC2216						
VKC2240	RCT40 RCTS4067A2RS	40TRBC07-27BS 40TRBC07-7BS 40TRK30W1SB 40TRK30W2SB	40TKD03U3 40TKD05U3 40TKD07U3 TK40-16AU3	SF0845/2E SF0859/2E		
VKC3502						
VKC3505	RCT38SL1	BC12S4SB 38TRBC-10CB	24TK308B2U3	SF0816/2E	359217	
VKC3541	CT70B CT70BL1 CT1310ARSE CT1310	70TNK-1	TK70-1A1U3	SF1412/2E	PRB-57	
						P9091 3W21/2
VKC3500	RCT4075-1S	40TRK-1	TK40-4AU3	SF0820/2E SF0820/4E	PRB-33	
VKC3506	RCT4064S RCT4064SL1	40TRK39-1SB 40TRK39-4SB	40TKD01U3 TK40-14AU3	SF0815/2E SF0815/4E	PRB-49	
VKC3504	RCT3360A2RS RCT3360A2RRS	33TRBC-4SB 33TRBC-10SB BC7S1W2SB	33TKD03U3			
VKC3509	RCT35-1 RCT3558ARUS RCT3558ARUSL1 RCTS45S	35TRK-1 35TRK39	35TMK29B2U3 35TMK29B2U5 35TMK29C1U3	SF0721/2E SF0725/2E	PRB-43	
VKC3523			45TKD07U3 TK45-15U3	SF0940/2E	PRB-41	
VKC3575	RCT52S	52TRBC09-7SB	TK52Z-1C	50TMK804/2E	PRB-56	
VKC3548	RCTS45A	45TRBC07-13SB	45TKD10U3	45TRBC07-13SB		
VKC3540	RCT55B	55TRK30W1	TK55-1BU3 TK45-4BU3	55TRK30A/2E SF0914		
VKC3537			TK45-4EU3	SF0914/2E	PRB-55	
VKC3511	RCT45-1S CT52A-1	45TMK-1 BC11S3	TK52Z-1B TK52Z-1B(U3)	52TMK804		
VKC3514	CT55BL1	55TMK804	TK55-1A1U3	55TMK804X/2E		
VKC3543	CT38-1L1	BC12S4SB	24TK308E1U3	24TK308Y		
VKC3520	40TMK29	40TMK29-1	40TMK291BU3	40TMK29		
VKC3661	62TMK20-1					
VKC3519	40TMK20-1S 40TNK20	40TNK-1 40TNK20	40TMK20B 40TMK20B1U3 40TNK20AK2	40TMK20 40TNK20		
VKC3545	45TNK20	45TNK20	45TNK20AAK2	45TNK20/4E 45TNK20/XC		
VKC3566	CT5586ARSE					
VKC3525	CT5582RU	55TNK-1	55TNK29	55TNK29		
VKC3612	RCT4068A2RSE					
VKC3527	65TNK20	65TNK20	65TNK20	65TNK20/2E		
VKC3513	CT45-1S T45E	45TNK804	TK45-2 TK45-4U3	45TMK804X		
						MA1181 CT5286 CR1435 CR1410 DGB1189.13 FR107 601913 360708K3 B76-360710AYC9
VKC3546	60TMK20U3			60TMK20		600213 CR1322 601713
	RCT5188					

Hydraulic Clutch Bearings

<p>9046584</p>  <p>Za31825 06311 FTE Za31825 07115 FAC809288 OPEL</p>	<p>Mn168395</p>  <p>Mitsubishi Lancer</p>	<p>510 0004 10</p>  <p>CS20004 LL80109 ZA3101D1 90523765 Opel Astrah Gto 1.6</p>	<p>510 0038 10</p>  <p>CS20005 ZA340581 5679320 Chery A5</p>
<p>519MHA-1602501</p>  <p>8K18B</p>	<p>96286828</p>  <p>3182 600 123 ZA34036A1 DAEWOO EVANDA</p>	<p>F-22800481.5</p>  <p>FIAT</p>	<p>510 0023 01</p>  <p>1075778 3182998301 XS41 7A564 AB FORD FOCUS(DAW,DBW)1.8 16V 10.98-11.04</p>
<p>510 0090 10</p>  <p>73503563 8200046102 RENAU CLIO II(BBO/1/2 CBO) 01.04-05.05 RENAU GRAND SCENIC 1.5d 04.04-</p>	<p>8200 224 021</p>  <p>7700 110 348 8200 124 021 RENAU AVANTIME(DEO) 2.0 1 16V TURBO VAUXH MOVANO CHASSIS/CAD</p>	<p>F5RZ7A508B</p>  <p>94ZT7A564AA 94ZT7A564AB 006141165C FORD COUGAR(EC_)2.0 16v FORD GALAXY(WGR)1.9TDL</p>	<p>510 0035 10</p>  <p>000 254 16 08 804528 CHRYSLER CROSSFIRE 32 MERCE C-CLASS(W203)C 180 KOMPRES</p>
<p>F9SZ-7A564-A</p>  <p>FORD BRONCO/F350/ EXPLORER</p>	<p>F-134322</p>  <p>15742944 GM Chevroleti Cheyenne 3500/ Gran Blazer</p>	<p>619003/619004</p>  <p>1987 Jeep Cherokee 4.0</p>	<p>619006</p>  <p>CHEVROLET</p>
<p>619005</p>  <p>CHEVROLET</p>	<p>510 0046 10</p>  <p>F37A-7A543-CB F-126893 FORD,RANGER</p>	<p>510 0011 10</p>  <p>1021237 Fiesta 11 1.3 1.4Lt.Zetec. (Dooho)01-02/Focus 14 2.0lt 2000/Lkon L4 Lt.Zetec.8Val. 01-03/KA L4 1.6 Lt.Zetec 8Val. 01-03/Ford fiesta 95-</p>	<p>510 0059 10</p>  <p>YL5Z-7A548-AA Ranger Explorer</p>
<p>15061576</p>  <p>CHEVROLET 455 Heavy Duty 2001</p>	<p>619001/619002</p>  <p>JEEP Cherokee</p>	<p>510 0050 10</p>  <p>12574147 630302933 Silverdao.pick-up full size</p>	<p>804513</p>  <p>DAEWOO EVANDA,LACETTI</p>

Wheel Hub Units



P/N: B512029
REPLACE: 512029



P/N: B512154
REPLACE: 512154

	P/N: B512078 REPLACE: 512078
	P/N: B512106 REPLACE: 512106
	P/N: B512107 REPLACE: 512107
	P/N: B512133 REPLACE: 512133
	P/N: B512136 REPLACE: 512136
	P/N: B512149 REPLACE: 512149
	P/N: B512150 REPLACE: 512150
	P/N: B512151 REPLACE: 512151
	P/N: B512152 REPLACE: 512152
	P/N: B513030 REPLACE: 513030
	P/N: B513035 REPLACE: 513035

	P/N: B512155 REPLACE: 512155
	P/N: B512156 REPLACE: 512156
	P/N: B512167 REPLACE: 512167
	P/N: B513011k REPLACE: 513011k
	P/N: B513012 REPLACE: 513012
	P/N: B513013 REPLACE: 513013
	P/N: B513016 REPLACE: 513016
	P/N: B513017K REPLACE: 513017K
	P/N: B513018 REPLACE: 513018
	P/N: B513092 REPLACE: 513092
	P/N: B513100 REPLACE: 513100

	P/N: B513044 REPLACE: 513044
	P/N: B513061 REPLACE: 513061
	P/N: B513062 REPLACE: 513062
	P/N: B513074 REPLACE: 513074
	P/N: B513075 REPLACE: 513075
	P/N: B513084 REPLACE: 513084
	P/N: B513087 REPLACE: 513087
	P/N: B513089 REPLACE: 513089
	P/N: B513138 REPLACE: 513138
	P/N: B513156 REPLACE: 513156
	P/N: B513202 REPLACE: 513202

	P/N: B513104 REPLACE: 513104
	P/N: B513107 REPLACE: 513107
	P/N: B513115 REPLACE: 513115
	P/N: B513117 REPLACE: 513117
	P/N: B513121 REPLACE: 513121
	P/N: B513123 REPLACE: 513123
	P/N: B513124 REPLACE: 513124
	P/N: B513137 REPLACE: 513137
	P/N: B515002 REPLACE: 515002
	P/N: B515003 REPLACE: 515003
	P/N: B515004 REPLACE: 515004



P/N: B515000
REPLACE: 515000



P/N: B515006
REPLACE: 515006

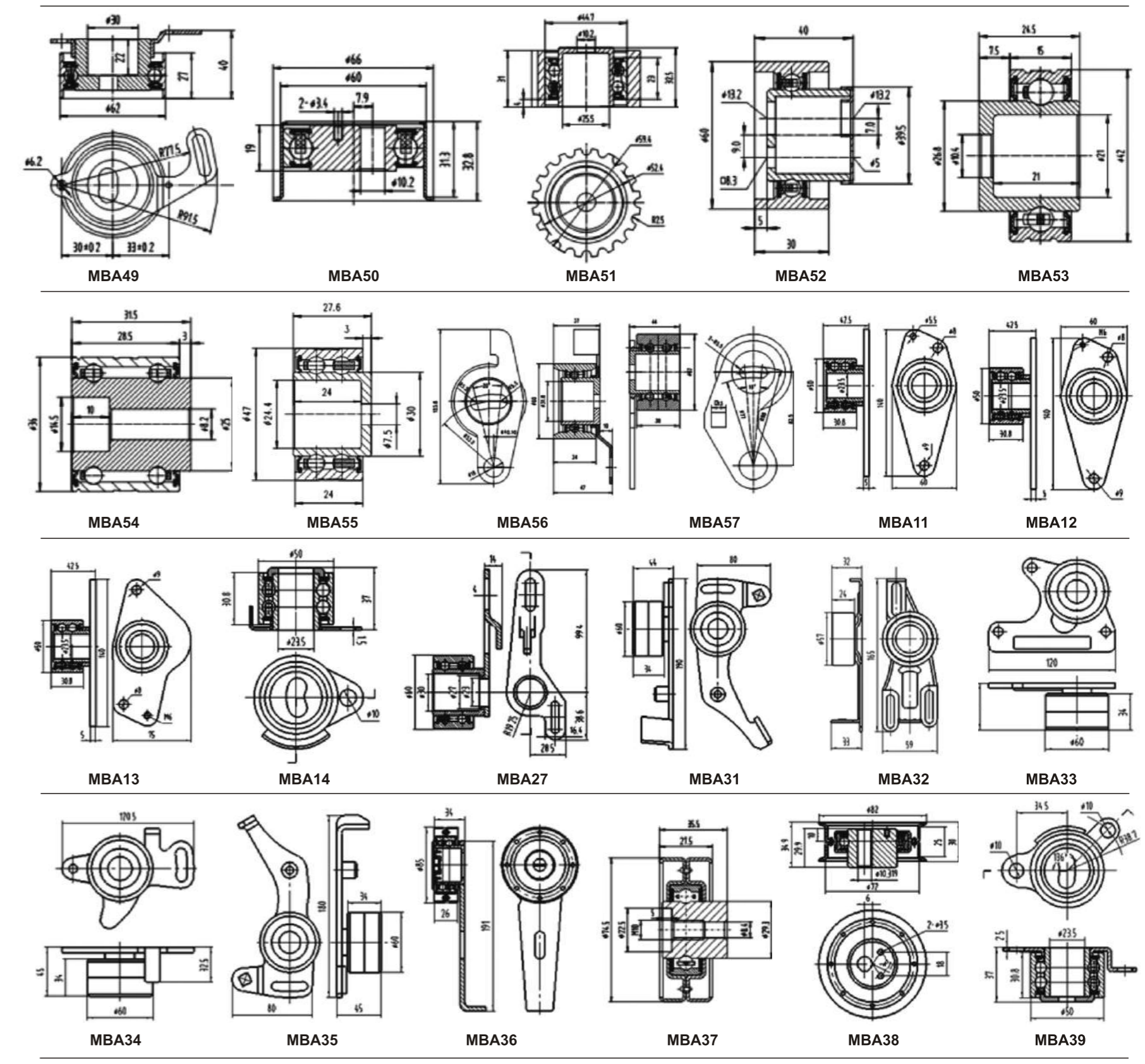
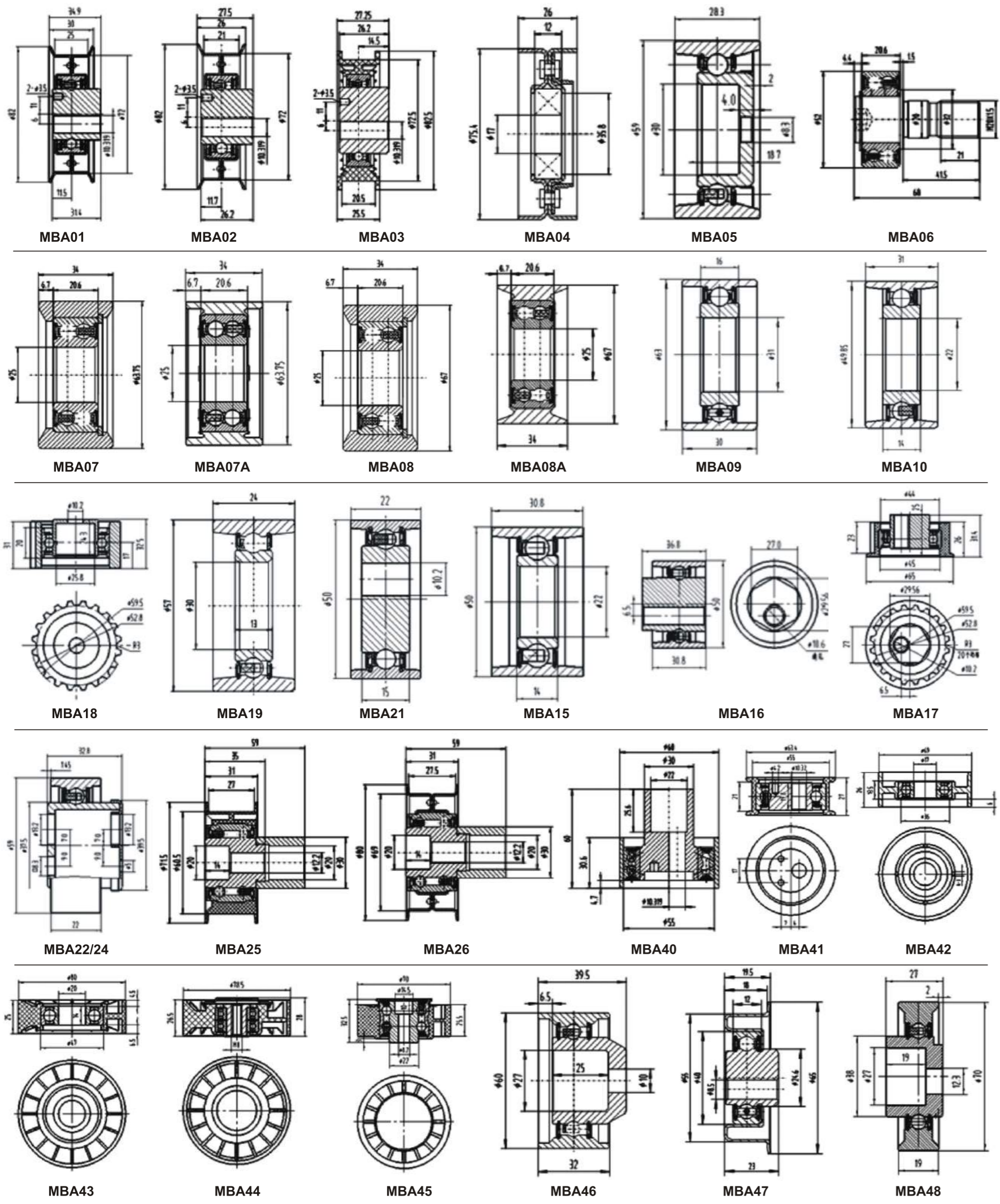


P/N: B515001
REPLACE: 515001



P/N: B515009
REPLACE: 515009

Belt Tensioner Berings



MBA	INA	SKF	BREDA	IRB	OTHER BRAND	Application	
MBA01	F220095	307839BA	CR1682		PU108226RR1HW	SEAT	
		307839EB				AUDI	
		393614				VOLKSWAGEN	
		VKM11010					
MBA02	F220093	307838B	CR1680			SEAT	
		F81749.1				AUDI	
		F81749.5				VOLKSWAGEN	
MBA03					6006DU		
MBA05		575477AC					
MBA07	F220324	633340B	CR1666			FIAT	
		BA2B633340				RENAULT	
		VKM22380				CITROEN	
MBA08	F220323	633332	CR1665			FIAT	
		BA2B633332A				DENAU	
		VKM12380					
MBA11	F120182	VKM26101	CR1839			RENAULT	
MBA12	F120182	VKM26101	CR1839			VOLVO	
MBA14	F39508.5	VKM16101	CR1838			RENAULT	
							VOLVO
							RENAULT
MBA15	F38153	445545B	CR1844			VOLVO	
		BB1B445545B				RENAULT	
		BB1B445545C				VOLVO	
		VKM26100					
MBA16	F38149	BB1B445547D	CR1841			RENAULT	
		VKM16110				VOLVO	
MBA17	F-202858	376028BB	CR1847				
		VKM12700				SEAT	

MBA	INA	SKF	BREDA	IRB	OTHER BRAND	Application
MBA19	F36261	441754D	CR1654			FIAT
		BB1B630632B				LANCIA
		VKM12200				PEUGEOT
MBA21	F39924.10	VKM16000	CR1846			CITROEN
MBA22	F121287	309725	CR1692	IR-9811		RENAULT
		445508A				CITROEN
		BVND307877B				PEUGEOT
MBA23	F120447.2	VKM13120	CR1826			CITROEN
						PEUGEOT
MBA24	F120959.1	VKM13201	CR1848	IR-9890		CITROEN
						FIAT
						LANCIA
						PEUGEOT
MBA25	F207699				636422	
MBA26	F220135				636421	
MBA27	F140056	VKM14301	CR1830	IR-9842		FORD
	F48559.7					
MBA31	F120475.12	445787BA	CR1686	IR-9813		CITROEN
		BVND445787AB				PEUGEOT
		VKM13240				
MBA32	BSR38317C	VKM13200	CR1685	IR-9812		CITROEN
	F38317C					PEUGEOT
MBA33	F38073.12	395940AE	CR1687	IR-9814		CITROEN
		445788BA				PEUGEOT
		BVND445788AB				
		VKM23240				
MBA34	F37630.1	VKM16210	CR1842	IR-9858		RENAULT
MBA35	F122216.3	VKM13241	CR1886	IR-9901		CITROEN
						FIAT
						PEUGEOT
MBA36	F123000	VKM33002	CR1473			CITROEN
						FIAT
						LANCIA
						PEUGEOT
MBA37	F109243					
MBA40				IR-9024		
MBA45	F220122					
MBA46					PU276033/KOYO	
MBA48					PU277027H/KOYO	
MBA56					BS0480	
MBA57					BS0680	
MBA58					BS0510	
MBA59					BS0658	
MBA60					BS0600	

Agricultural Bearings

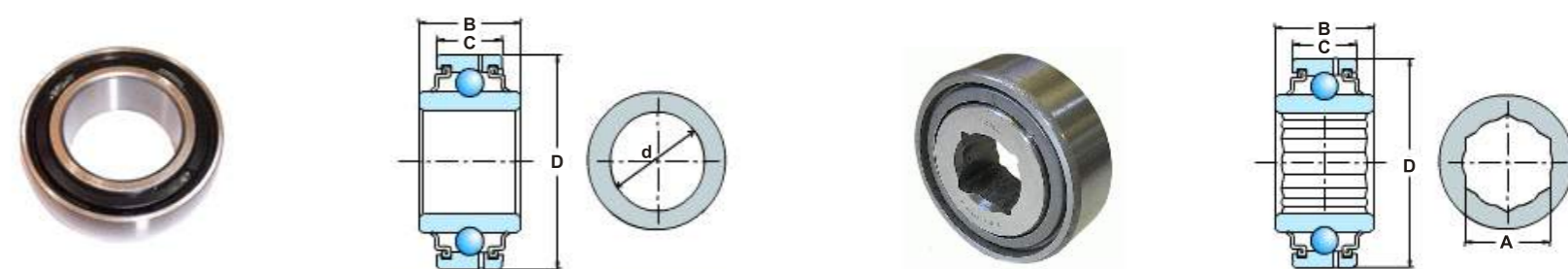
Round Bore And Spherical O.D. Type Square Bore And Spherical O.D



Bearing Number	Boundary Dimensions(in)				Basic Load Ratings(N) Dynamic Cr	Weight (Kg) (Aproximadamente)
	d	D	B	C		
W210PPB5	1.785	3.5433	1.189	1.189	31500	0.79
W211PPB2	2.188	3.937	1.311	1.311	39100	0.97
W209PPB2	1.7717	3.3464	1.189	1.189	29200	0.65
W209PPB4	1.535	3.3464	1.189	1.189	29200	0.75
W210PPB2	1.938	3.5433	1.189	1.189	31500	0.71
W208PPB6	1.188	3.1496	1.437	0.708	26200	0.72
W208PPB7	1	3.1496	1.189	0.708	26200	0.64
W209PPB11	1.7811	3.3464	1.437	0.866	29200	0.64
W208PPB2	1.5005	3.1496	1.689	0.708	26200	0.72
W208PPB23	1.5005	3.1496	1.689	1.189	26200	0.68
W208PPB4	1.188	3.1496	1.189	1.189	26200	0.72
GW211PPB10	1.938	3.937	1.311	1.311	39100	1.02
GW211PPB2	2.188	3.937	1.311	1.311	39100	0.97
GW211PPB9	2.194	3.937	1.311	0.984	39100	0.92
GW209PPB4	1.535	3.3464	1.189	1.189	29200	0.75
GW210PPB2	1.938	3.5433	1.189	1.189	31500	0.71
GW210PPB5	1.785	3.5433	1.189	1.189	31500	0.79
GW208PPB6	1.188	3.1496	1.437	0.708	26200	0.72
GW209PPB11	1.7811	3.3464	1.437	0.866	29200	0.64
GW209PPB2	1.7717	3.3464	1.189	1.189	29200	0.65

Bearing Number	Boundary Dimensions(in)				Basic Load Ratings(N) Dynamic Cr	Weight (Kg) (Aproximadamente)
	A	D	B	C		
W211PPB3	1-1/2	3.937	1.311	1.311	39100	1.21
W211PPB6	1-1/2	4.125	1.75	1.437	39100	1.86
W209PPB8	1-1/4	3.3464	1.437	0.748	29200	0.75
W210PPB4	1-1/8	3.5433	1.189	1.189	31500	0.96
W210PPB6	1-1/8	3.5433	1.437	1.189	31500	1.02
W208PPB9	1	3.1496	1.437	1.189	26200	0.79
W209PPB5	1-1/4	3.3464	1.437	1.189	29200	0.79
W209PPB7	1-1/4	3.4380	1.437	1.189	29200	0.84
W208PPB19	1-1/8	3.4385	1.437	1.189	26200	0.85
W208PPB5	1-1/8	3.1496	1.437	0.708	26200	0.67
W208PPB8	1-1/8	3.1496	1.437	1.189	26200	0.75
W208PPB12	1-1/8	3.428	1.437	1.189	26200	0.85
W208PPB13	7/8	3.1496	1.437	0.708	26200	0.73
W208PPB18	7/8	3.4385	1.437	1.189	26200	0.93
GW211PPB3	1-1/2	3.937	1.311	1.311	39100	1.21
GW211PPB6	1-1/2	4.125	1.75	1.437	39100	1.86
W208PPB11	7/8	3.428	1.437	1.189	26200	0.93
GW209PPB8	1-1/4	3.3464	1.437	0.748	29200	0.75
GW210PPB4	1-1/8	3.5433	1.189	1.189	31500	0.96
GW211PPB11	1-1/2	3.937	1.75	0.984	39100	1.02
GW208PPB5	1-1/8	3.1496	1.437	0.708	26200	0.67
GW208PPB8	1-1/8	3.1496	1.437	1.189	26200	0.75
GW209PPB5	1-1/4	3.3464	1.437	1.189	29200	0.79

Round Bore And Cylindrical O.D. Square Bore And Cylindrical O.D

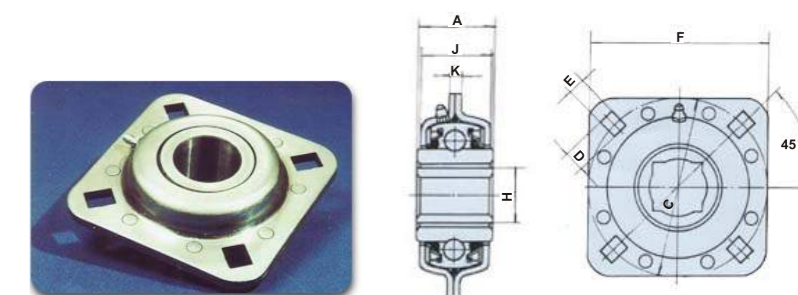
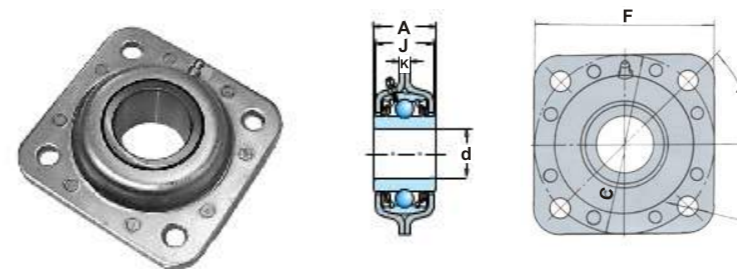


Bearing Number	Boundary Dimensions(in)				Basic Load Ratings(N) Dynamic Cr	Weight (Kg) (Aproximadamente)
	d	D(mm)	B	C		
W208PP7	1.118	80	1.189	0.709	26200	0.65
W210PP2	1.938	90	1.189	1.189	31500	0.77
W211PP2	2.188	100	1.311	1.311	39100	1.06
GW211PP2	2.188	100	1.311	1.311	39100	1.06
W208PP10	1.5005	80	1.689	0.827	26200	0.68
W208PP4	1.118	80	1.189	1.189	26200	0.76

Bearing Number	Boundary Dimensions(in)				Basic Load Ratings(N) Dynamic Cr	Weight (Kg) (Aproximadamente)
	A	D(mm)	B	C		
W211PP5	1-1/2	101.6	1.75	1.437	39100	1.8
W208PP8	1-1/8	80	1.437	1.189	26200	0.75
W210PP4	1-1/8	90	1.189	1.189	31500	0.87
W211PP3	1-1/2	100	1.311	1.311	39100	1.27
GW211PP3	1-1/2	100	1.311	1.311	39100	1.27
W208PP5	1-1/8	80	1.437	0.709	26200	0.68
W208PP6	1-1/8	80	1.437	0.709	26200	0.73

Flanged Disc Units-Round Bore

Flanged Disc Units-Square Bore

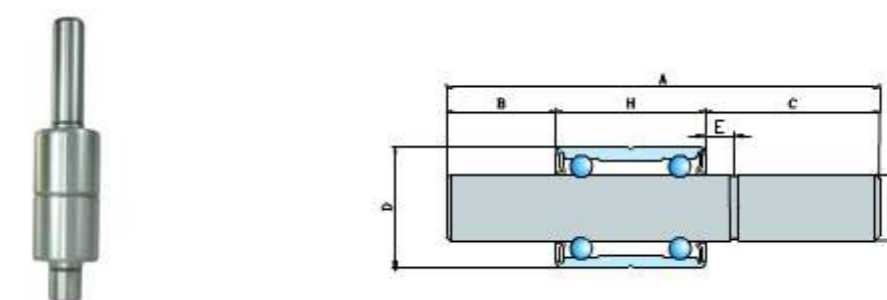


Bearing Number	Boundary Dimensions(mm)						
	d(in)	Φ	A	C	F	J	K
DHU1-3/4F-211	1-3/4	13.5	54	139.7	139.7	46	8
DHU2-3/16R-211	2-3/16	13.5	55.6	139.7	139.7	46	8
FDZ11RJA	1-15/16	13.5	54	139.7	139.7	46	8
ST491A	1-3/4	13.5	42.88	127	127	41.7	6.75

Bearing Number	Boundary Dimensions(mm)							
	H(in)	F	C	A	J	K	D	E
DHU1-1/8S-209	1-1/8	127	127	42.86	41.7	6.75	16.7	13.5

Water Pump Bearings

WB Series

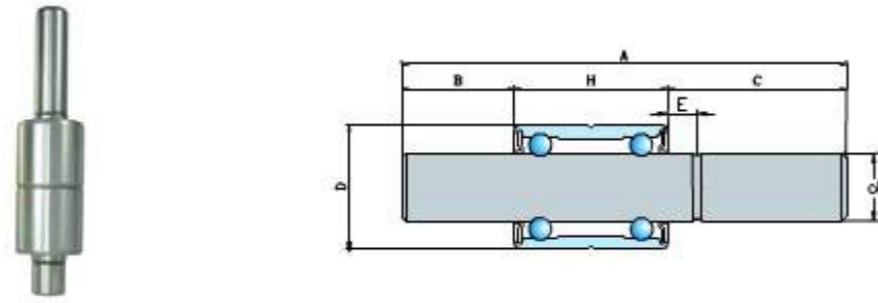


Bearing Number	Boundary Dimensions(mm)										
	d	D	H	A	B	C	d1	d2	S1	S2	E
WB1224085-1	12	24	33.4	84.5	16.1	35					
WB1224082	12	24	27	81.5	16.5	38					
WB1226106	12	26	39	105.5	16.5	50					
WB1226098	12	26	39	98	21	38					
WB1226102	12	26	40	102	27	35					
WB1226103	12	26	39	102.5	21.5	42					
WB1226089	12	26	30	89	18	41					
WB1226090	12	26	39	89.5	16.5	34					
WB1226080	12	26	27	80	16.5	36.5					
WB1226086	12	26	39	86	12	35					
WB1230105	12	30	39	105	16	50					
WB1226092	12.006	26	40	92	17	35					
WB1224085	12.037	24	27	85	21	37					
WB1224084	12.037	24	33.38	83.9	28.32	22.2					
WB1224106	12.038	24	27	106	25.2	53.8					
WB1224083	12.038	24	33.4	82.8	16	33.4					
WB1324107	12.738	24	33.4	107.19	31.4	42.39					
WB1324080	12.738	24	33.4	80	14.2	32.4					
WB1530098-1	15	30	38.9	98	20	39.1					
WB1530100	15	30	38.9	100	19.8	41.3					
WB1530088-3	15	30	36.5	87.5	16.6	34.4					
WB1530092DD	15	30	38.9	92	17	36.1	12.003	12.003	16	35	
WB1530067D	15	30	24	66.5	10	32.5		12		30	
WB1530088	15	30	36	87.5	37.9	13.6					
WB1530124	15.008	30	52	124	16.5	55.5					

Bearing Number	Boundary Dimensions(mm)										
	d	D	H	A	B	C	d1	d2	S1	S2	E
WB1530116-1	15.008	30	38.9	116	27.1	50					
WB1530119	15.008	30	38.9	118.5	15.5	64.1					
WB1530121	15.008	30	52	120.5	16.2	52					
WB1530107D	15.008	30	38.9	106.5	39.9	27.7	12.052		38		
WB1530097D	15.008	30	38.9	97	20	38.1		12.738		37.1	
WB1530091	15.008	30	39	91	17	35					
WB1530088-2	15.008	30	36	88	17	35					
WB1630076D	15.918	30	27	75.5	18.5	30		12		28	
WB1630078D	15.918	30	22	77.8	15.5	40.3		12		37.3	
WB1630071D	15.918	30	24	71	12.5	34.5		12.006		33.5	
WB1630073D	15.918	30	23	72.5	13.5	36		12		33	
WB1630065D	15.918	30	22	65	14.2	28.8		10		27.4	
WB1630162	15.918	30	38.9	161.92	58.34	64.68					59.13
WB1630132-1	15.918	30	38.9	132.16	50.41	42.85					36.5
WB1630128	15.918	30	38.91	127.78	25.8	63.1					56.75
WB1630129	15.918	30	38.9	128.98	31.74	58.34					53.57
WB1630126DD	15.918	30	57.15	125.5	17.75	50.6	15	15	15.25	48.1	
WB1630127	15.918	30	38.9	127	25.4	62.7					
WB1630124	15.918	30	38.9	123.67	31.73	53.04					44.45
WB1630120D	15.918	30	39.9	120.12	27.82	53.4		12		48	
WB1630119	15.918	30	38.9	119.08	37.3	42.88					36.53
WB1630119D	15.918	30	41	119	30.5	47.5		12		45.5	
WB1630118D	15.918	30	38.9	118	30	49.1		12		44.5	
WB1630116-1	15.918	30	38.9	115.75	28.85	50					
WB1630114D	15.918	30	38.9	114	19.1	56		12		46	
WB1630114-1	15.918	30	38.9	114.3	31.99	43.41					34.26
WB1630110-5	15.918	30	45	109.5	20.5	44					
WB1630110D	15.918	30	38.9	109.5	25.12	45.48		12.038		42.22	
WB1630110-2	15.918	30	38.9	110.4	21.36	50.14					41
WB1630109D	15.918	30	38.9	108.74	42.86	26.98	12.789		33.32		
WB1630110	15.918	30	52	109.5	18	39.5					36
WB1630110-1	15.918	30	38.9	110	28.94	42.16					37.3
WB1630108	15.918	30	27	107.8	25.25	55.55					48.29
WB1630108-1	15.918	30	27.94	107.8	24.31	55.55					48.29
WB1630107D	15.918	30	38.9	106.5	22	45.6		12		43.5	
WB1630107D-1	15.918	30	38.9	107	29	39.1		12		36.5	
WB1630105	15.918	30	38.9	105.41	20.31	46.2					41.4
WB1630100DD	15.918	30	38.9	99.5	16.5	44.1	12	12	14	41.5	
WB1630096D	15.918	30	27	96	15	54		12		40	
WB1630095DD	15.918	30	38.9	94.49	21.49	34.1	12.738	12.738	19.81	32.13	
WB1630094D-2	15.918	30	27	94	16	51		12.038		49	
WB1630094D-3	15.918	30	30	94.18	16.38	47.8		12		45.01	
WB1630094-1	15.918	30	38.9	94.35	17.5	37.95					
WB1630094D	15.918	30	38.9	93.9	16	39		12.038		37.5	
WB1630094D-1	15.918	30	27	94	16	51		12.038		45	
WB1630093DD-1	15.918	30	38.9	92.5	16.49	37.11	12	12	14.5	34.5	
WB1630092D	15.918	30	38.9	91.8	36.9	16	12.675		34.5		
WB1630091-1	15.918	30	27	91	41	43					
WB1630091D-1	15.918	30	33	91	19.8	38.2		12		34.5	
WB1630090D-3	15.918	30	38.9	90.17	15.46	35.81		12.037		33.78	
WB1630090D-4	15.918	30	28.45	89.81	45.87	15.49	12.042		38.1		
WB1630091	15.918	30	27.94	90.88	15.67	47.27					40
WB1630090D	15.918	30	38.9	90.35	34.3	17.15		12		15.1	
WB1630090D-1	15.918	30	27	90	15.5	47.5		12		42.5	
WB1630089D-2	15.918	30	30	88.8	14.3	44.5		12.052		42.7	
WB1630090	15.918	30	38.9	90.12	14.86	36.36					31.14
WB1630089D	15.918	30	30	88.6	14.2	44.4		12.038		39	
WB1630088D	15.918	30	27	88	18	43	12		7.5		
WB1630088D-1	15.918	30	36.5	88	14	37.5		12		36	
WB1630088D-2	15.918	30	36	87.5	13.5	38		12		34.25	
WB1630088-1	15.918	30	38.9	87.5	15	33.6					
WB1630088-2	15.918	30	27	88	18	43					
WB1630087D	15.918	30	30	86.5	12.3	44.2				41.2	
WB1630088	15.918	30	38.9	87.6	13.7	35		12		39.5	
WB1630086	15.918	30	30	86.2	16.3	39.9					
WB1630086D	15.918	30	27	86.2	19.3	39.9		12		36.9	
WB1630086D-1	15.918	30	30	86	16.5	39.5		12		37	
WB1630085D-5	15.918	30	27.9	85	17	40.1		12		36	
WB1630085D-6	15.918	30	38.9	85.2	31.1	15.2	12.042		29.2		
WB1630085D-2	15.918	30	27	85	21	37		12.038		35.3	
WB1630085-2	15.918	30	27.94	84.51	17.37	39.2					33.32
WB1630085D	15.918	30	27	84.63	17.27	40.36		12.038		38.36	
WB1630084D-2	15.918	30	32.7	83.6	17.15	33.75		12		31.75	
WB1630085	15.918	30	27	85	15	43					
WB1630084-3	15.918	30	38.9	84.33	14.34	31.09				23.83	
WB1630084D	15.918	30	27	84.3	20.8	36.5		12.008		34.5	
WB1630084D-1	15.918	30	27	84.38	20.57	36.81		12.088		35	
WB1630084	15.918	30	27	84	16	41					
WB1630084-2	15.918	30	27.5	84.3	15.3	41.5					
WB1630083D-1	15.918	30	32.72	83.44	16.79	33.93		12.738		32.13	
WB1630083D-2	15.918	30	33.4	82.5	15.1	34		12		33	
WB1630083D-3	15.918	30	33.45	83.4	16.15	33.8		12.738		30.5	
WB1630083	15.918	30	25	83.15	16.05	42.1					
WB1630082D-2	15.918	30	27	81.84	17.35	37.49		12.037		35.33	
WB1630082	15.918	30	38.9	82.61	4.06	39.65					
WB1630079D-1	15.918	30	27	78.9	15.5	36.4		12		33.4	
WB1630080	15.918	30	27	80.04	15.75	37.29					
WB1630080D	15.918	30	33.4	79.6	16.1	30.1		12.038		39.1	
WB1630078D-2	15.918	30	27	78.4	16.2	35.2		12		34	
WB1630079	15.918	30	27	79.1	13.6	38.5					34.7
WB1630079D	15.918	30	27	78.5	15	36.5		12		34	
WB1630078D-1	15.918	30	27	77.75	18.75	32		12		30	
WB1635114D	15.918	35	38.9	113.97	25.07	50		12.007		47.7	

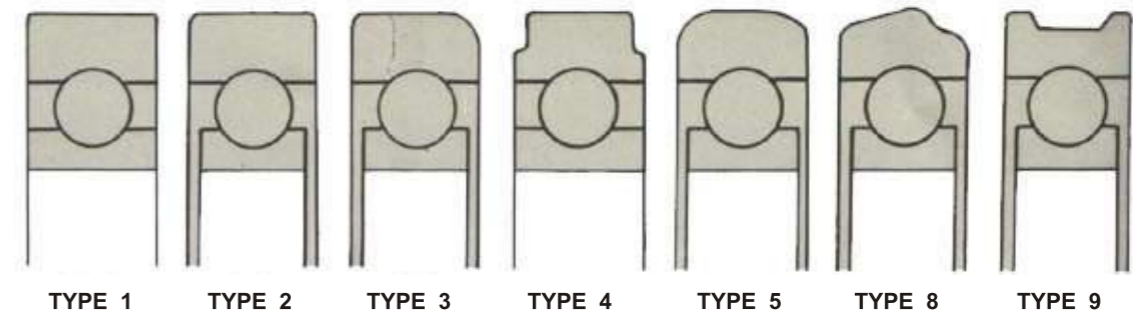
Bearing Number	Boundary Dimensions(mm)										
	d	D	H	A	B	C	d1	d2	S1	S2	E
WB1635096D	15.918	35	38.9	95.86	15.76	41.2					
WB1635101D	15.918	35	38.9	100.97	25.07	37					
WB1635092D	15.918	35	30	91.95	15.39	46.56					
WB1636135	15.918	36	38.9	135	24.94	71.16					
WB1638161DD	15.918	38.1	54.1	161.04	46.61	60.33	15.918	15.918	33.15	55.88	
WB1638135	15.918	38.1	38.9	135	24.94	71.16					
WB1630080D-1	15.923	30	33.45	79.6	16.05	30.1					12.038
WB1635101D-1	15.923	35	38.9	101	25.1	37					12.022
WB1630154	15.938	30	38.9	154.2	29.77	85.53					79.2
WB1630132	15.938	30	38.9	132.13	40.17	53.06					48.29
WB1630122-2	15.939	30	38.9	122.25	40.17	43.18					38.28
WB1630102	15.939	30	38.9	101.5	17.49	45.11					
WB1630112	15.951	30	36.52	112	28.48	47					40
WB1630108-2	15.951	30	36.52	108	23.48	48					45.8
WB1630104D-1	15.963	30	38.9	103.5	17.1	47.5					12.037
WB1635093D	15.976	35	38.9	92.5	16.6	37					12.052
WB1630154-1	15.989	30	38.9	154.2	85.5	29.8					79.2
WB1630106-1	15.994	30	38.9	106.25	26.22	41.13					
WB1630075	16	30	22	75	18	35					
WB1630067	16	30	39	67	26	2					
WB1630137D	16	30	38.9	136.66	39.17	58.59					12.1
WB1630115-1	16	30	39	115	26	50					43
WB1630112D	16	30	38.9	112	30	43.1					12
WB1630108-3	16	30	39	108	26	43					39.5
WB1630108D	16	30	38.9	108	26	43.1					12
WB1630107H	16	30	38.9	106.5	20.1	47.5					39.5
WB1630106H	16	30	38.9	106	26.1	41					38
WB1630106-2	16	30	39	106	26						

WR Series



Bearing Number	Boundary Dimensions(mm)										
	d	D	H	A	B	C	d1	d2	S1	S2	E
WR1530103	15	30	38.9	103.2	23.4	40.9					
WR1530109D	15	30	52	109.1	19	38.1		12		35.2	
WR1530116	15	30	52	115.75	17.75	46					
WR1530122D	15	30	52	121.5	32	37.5		12.038		36	
WR1530098	15.006	30	38.9	97.5	23.5	35.1					33
WR1530088	15.008	30	36	87.5	16.5	35					
WR1530106	15.008	30	52	105.75	14.25	39.5					36
WR1530125D-1	15.008	30	52	125.25	24.75	48.5		12.055		47.5	42
WR1630090D-3	15.918	30	38.9	90.2	15.49	35.81		12		33.86	
WR1630091D	15.918	30	34	91	20	37		12.38		34.5	
WR1630094D	15.918	30	27	94	16	51		12.038		49	
WR1630094D-1	15.918	30	30	94.3	16.3	48		12		45	
WR1630095D-3	15.918	30	44	95	20	31		11		21	
WR1630100D	15.918	30	38.9	99.85	10.5	50.45		12.038		43.3	
WR1630100D-2	15.918	30	46	99.54	16.89	36.65		12		33.55	
WR1630100DD	15.918	30	38.9	99.49	16.47	44.12	12	12	14.61	41.28	
WR1630101D	15.918	30	27	101	31.8	42.2		12		40.7	
WR1630104	15.918	30	34.5	104.2	19	50.7					57.5
WR1630124	15.918	30	38.9	123.5	20.5	64.1					42
WR1630125	15.918	30	52	125	17.5	55.5					
WR1630128D	15.918	30	38.9	127.8	23.3	65.6		12.04		48.6	
WR1630139	15.918	30	38.9	138.99	23.1	76.99					72.16
WR1630146D	15.918	30	56	146.05	27	63.05		12.037		53.85	
WR1630151D	15.918	30	60	151	25.13	65.87		12.038		63	
WR1630074	15.918	30	34.5	74	5	34.5					
WR1630074D	15.918	30	27	73.75	14.65	32.1		12.038		28.1	
WR1630079D	15.918	30	30	79.26	13.5	35.76		12.038		33.76	
WR1630083D-2	15.918	30	33.4	82.5	15.1	34		12		33	
WR1630084D	15.918	30	30	83.82	15.77	38.05		12		35.46	
WR1630086D	15.918	30	27	85.85	17.45	41.4		12.037		39.37	
WR1630087-1	15.918	30	30	87.3	14.53	42.77					37.57
WR1630088	15.918	30	36.5	87.5	16.5	34.5					
WR1630088D	15.918	30	36	87.5	13.5	38		12		34.25	
WR1630089D-1	15.918	30	27	88.47	19.43	42.04		12.037		39.75	
WR1630090D	15.918	30	31.48	89.66	16.45	41.73		12.037		39.75	
WR1630090D-2	15.918	30	38.9	89.5	12.1	38.5		12		34.5	
WR1630102-2	15.918	30.003	36.5	101.5	26	39					
WR1635112D	15.918	35	38.9	112.18	29.98	43.3		12		40.6	
WR1630109D	15.92	30	38.9	108.6	18.5	51.2		12.04		48.2	
WR1630114	15.92	30	38	113.5	28.5	47					
WR1630083D	15.92	30	33.4	83.4	16.2	33.8		12.74		32	
WR1630089D	15.92	30	27	88.8	19.1	42.7	12.03		40		
WR1630154	15.939	30	38.9	154.23	29.76	85.57					79.22
WR1630122-1	15.94	30	38.9	122.25	28.64	54.71					49.2
WR1630102	15.951	30	36.5	101.5	20	45					
WR1630095	16	30	38.9	94.8	12.9	43					
WR1630111DD	16	30	52	110.6	18.8	39.8	15.009	12.052	17.9	35.5	
WR1630112	16	30	38.9	112	32.1	41					38
WR1630131DD	16	30	52	130.5	33	45.5	15.002	12.055	31.5	41	
WR1630080	16	30	27	80	15.5	37.5					
WR1630084D-1	16	30	30	84	15.5	38.5		12		36.5	
WR1630089	16	30	36.5	88.75	19.25	33					31
WR1728075D	17.2	28	27	74.6	13.1	41.5		12		39.5	
WR1730078D	17.2	30	30	77.7	12.1	35.6		12		33.6	
WR1835112D	17.5	35	38.9	112	27	46.1		12.038		43.5	
WR1835101DD	18	35	39	101	25	37	15.92	12	23.5	34.7	
WR1835114D	18	35	46	114	26.3	41.7		12		37	
WR1938112DD	18.9	38	41.1	112.2	32.4	38.7	16	16	29.3	35.5	
WR1938125D-2	18.95	38.1	54.1	125	28.4	42		15.875		39.3	
WR1938108	18.96	38.1	54	108.2	3.53	50.67					
WR1930115D	18.961	30	54.1	115.3	21.65	39.55		15.918		38.5	
WR1935126DD	18.961	35	56	126	28.5	41.5	15.918	12	26.49	38.96	
WR1936100DD	18.961	36	46	100	18	36	15.918	12	16	34	
WR1936109DD	18.961	36	40	109.4	13.5	55.9	15.918	12.008	12.5	54.5	
WR1936126DD-1	18.961	36	56	126	28.5	41.5	15.918	12	26.5	37	
WR1938075D	18.961	38.1	47	75	25.7	2.3	15.918		24		
WR1938091	18.961	38.1	54.1	90.9	33.2	3.6					
WR1938116D	18.961	38.1	50	116	19	47		15.918		46	
WR1938121D	18.961	38.1	41.28	120.65	33.4	45.97		15.918		43.69	
WR1938132D	18.961	38.1	54.1	131.8	24	53.7		15.918		49.4	
WR1938175D	18.961	38.1	52.6	174.8	52.91	69.29		12.037		42.88	
WR1940117D	18.961	40	46	117	29.3	41.7		15.918		39.1	
WR1938176DD	19	38.1	54	175.7	53	68.7	16	16	14	64	
WR1940112D	19	40	50	112	29	33		12		32	
WR1935100DD	19.012	35	38.9	100.41	16.59	44.92	15.918	12	14	42.04	
WR1936088D	19.012	36	40	88	13.5	34.5		12		33.5	
WR1936122DD	19.012	36	52	122	29	41	15.918	12	28	40	
WR1938115D-1	19.012	38.1	54.1	115.44	23.47	37.87		12.088		35.15	
WR2040143	20	40	50	143	31.5	61.5			16	55	
WR2042131DD	20.004	42	45.9	130.5	23.6	61	19	12	22.6	59	
WR2241088DD	22	41	38.9	88.2	13.6	35.7	20	12	12.6	34.31	
WR2242098D	22	42	32	97.64	15.7	49.94		12		46.94	
WR2242115DD	22	42	41.5	115	29.8	43.7	15.918	15.918	8.5	41.7	
WR2242116DD	22	42	46	115.5	26.5	43	18	13	24	38.5	

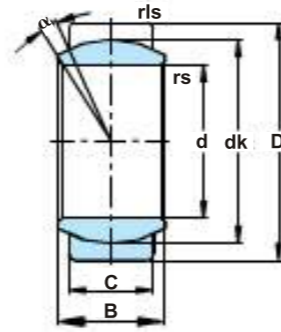
Mast Guide Bearings



Bearing Number		Moder Number	Boundary Dimensions(mm)					Bearing Number		
I	II		Inner Diameter d	Outer Diameter D	Outer Width c	Inner Width B	Radius R	Inner-dimension deviation E	III	IV
203SZZ-10		1	17	50.8	12	12				
204SZZ-20		2	20	57.15	18.115	14			4.11	
250SZZ-29		1	25.4	57.15	22.225	25.4			1.02	
206SZZ-16		2	30	76.2	28.575	16			6.3	MG206-2RS-1
206MZZ-1	MG206FFA	2	30	81.28	25.4	19.586	3		2.9	
206MZZ-1	MG206FFH	3	30	79.375	28.575	16.586	6.35		6.02	
206MZZ		3	30	86.36	28.575	16.586	6.35		6.02	
207SZZ-20		4	35	70.358	17	17				
207MZZ-1	MG207FFA	2	35	81.864	27.1	17	3		4.98	X485
	MG207FFR	1	35	88.392	31.75	17	1.52		7.37	
208SZZ-15	MG207FFH	8	35	91.237	31.877	21	1.02		5.16	MG208-2RS-1
208SZZ-9		3	35	101.752	30.163	21	9.53			
208SZZ-16	MG207FFK	8	35	110.287	30.277	21			4.67	
	MG208FFA	2	40	100.838	25.4	19.588	3		2.54	
209MZZ-1	MG209DD	2	45	100.965	28.473	19	3		4.75	
210MZZ-1		1	50.8	103.276	32.542	32.542				
210SZZ-2		1		101.092	27	27				
305SZZ-3	MG305DD	3	25	76.2	25.4	17	8.382		4.191	MG305-2RS-1
305SZZ-7		3	25	76.352	24.765	26	9.042		1.524	MG305-2RS-3
305SZZ-6	MG305DDA	3	25.4	74.6	25.4	17	8.382		4.191	MG305-2RS-2
	MG306DDB	3	30	82.55	26.975	19	1.016		4.775	
306SZZ-5	MG306DD	3	30	88.9	25.4	19	9.525		3.302	MG306-2RS-1
307SZZ-9	MG307FFK		35	94.615	25.4	21	9.625		0.762	MG307-2RS-2
307SZZ-14		3	35	101.346	28.575	21	9.525		4.547	MG307-2RS-5
307MZZ-2	MG307FFE	8	35	101.346	28.575	21			4.547	
308SZZ-8		2	35	100.762	36.513	21	4.76		6.35	
	MG307FFB	1	35	101.092	31.75	21	1.524		6.02	
307SZZ-10	MG307FF	3	35	101.346	28.575	21	1.524		4.9	MG307-2RS-1
	MG307FFH	3	35	101.346	28.575	21	9.525		4.547	X376RS
	MG307FFE	3	35	101.346	28.575	21			4.547	
307SZZ-16		3	35	101.346	28.575	21	9.525		4.547	
307SZZ-18		3	35	101.346	28.575	21	6.985		4.547	MG307-2RS-4
307MZZ-4	MG307FFA	3	35	101.6	28.575	21	9.525		4.547	MG307-2RS-3
307SZZ-4	MG307FFA	3	35	101.6	30.163	21	9.525		4.547	
308SZZ-4		9	40							

Spherical Plain Bearing

Radial Spherical Plain Bearing - Maintenance Type



Bearing Number	Boundary Dimensions(mm)								Basic Load Ratings(kN)		Weight (Kg)
	d	D	B	C	dk	rs min	rls min	α	Dynamic Cr	Static Cor	
GEGZ31ES	31.75	61.913	35.306	28.575	54.7	0.6	1	15	125	375	0.454
GEGZ38ES	38.1	71.438	40.132	33.325	63.9	0.6	1	14	170	510	0.726
GEGZ44ES	44.45	80.963	46.228	38.1	73	0.6	1	14	224	670	1.14
GEGZ150ES	50.8	90.488	52.578	42.85	82	0.6	1	14	280	850	1.68
GEGZ57ES	57.15	100.013	58.877	47.625	92	0.6	1	14	355	1060	2.01
GEGZ63ES	63.5	111.125	64.643	52.375	100	1	1	14	415	1250	2.95
GEGZ69ES	69.85	120.65	70.866	57.15	109.5	1	1	14	500	1500	3.63
GEGZ76ES	76.2	130.175	76.759	61.9	119	1	1	14	585	1760	4.36
GEGZ82ES	82.55	139.7	82.931	66.675	128	1	1	14	680	2040	5.31
GEGZ88ES	88.9	149.225	90.424	71.425	137	1	1	14	780	2360	6.81
GEGZ95ES	95.25	158.75	94.945	76.2	146	1	1	14	900	2650	8.85
GEGZ101ES	101.6	177.8	107.315	85.725	164.5	1	1	10	1120	3400	10.2
GEGZ114ES	114.3	196.85	119.126	95.25	183	1	1	10	1400	4150	13.6
GEGZ139ES	139.7	222.25	125.73	104.775	207	1	1	9	1730	5200	20.4
GEWZ12ES	12.7	22.225	19.05	9.525	18	0.15	0.6	5	13	41	0.024
GEWZ15ES	15.875	26.988	23.8	11.913	23	0.15	0.6	5	22	65	0.038
GEWZ19ES	19.05	31.75	28.575	14.275	27.5	0.3	0.6	5	31	95	0.064
GEWZ22ES	22.225	36.513	33.325	16.662	32	0.3	0.6	5	42	127	0.098
GEWZ25ES	25.4	41.275	38.1	19.05	36.5	0.3	0.6	5	56	166	0.142
GEWZ31ES	31.75	50.8	47.625	23.8	45.5	0.6	0.6	5	86	260	0.271
GEWZ34ES	34.925	55.563	52.375	26.187	49	0.6	1	5	102	310	0.373
GEWZ38ES	38.1	61.913	57.15	28.575	54.7	0.6	1	5	125	375	0.494
GEWZ44ES	44.45	71.438	66.675	33.325	63.9	0.6	1	5	170	510	0.762
GEWZ50ES	50.8	80.963	76.2	38.1	73	0.6	1	5	224	670	1.11
GEWZ57ES	57.15	90.488	85.725	42.85	82	0.6	1	5	280	850	1.57
GEWZ63ES	63.5	100.013	95.25	47.625	92	1	1	5	355	1060	2.15
GEWZ69ES	69.85	111.125	104.775	52.375	100	1	1	5	415	1250	2.9
GEWZ76ES	76.2	120.65	114.3	57.15	109.5	1	1	5	500	1500	3.59
GEWZ82ES	82.55	130.175	123.825	61.9	119	1	1	5	585	1760	4.69
GEWZ88ES	88.9	139.7	133.35	66.675	128	1	1	5	680	2040	5.86
GEWZ95ES	95.25	149.225	142.875	71.425	137	1	1	5	780	2360	7.11
GEWZ101ES	101.6	158.75	152.4	76.2	146	1	1	5	900	2650	8.56
GEWZ114ES	114.3	177.8	171.45	85.725	164.5	1	1	5	1120	3400	12.24
GEWZ127ES	127	196.85	190.5	95.25	183	1	1	5	1400	4150	16.63
GEWZ152ES	152.4	222.25	209.55	104.775	207	1	1	5	1730	5200	20.7
GEZ12ES	12.7	22.225	11.1	9.525	18	0.15	0.6	6	13	41	0.022
GEZ15ES	15.875	26.988	13.894	11.913	23	0.15	0.6	6	22	65	0.036
GEZ19ES	19.05	31.75	16.662	14.275	27.5	0.3	0.6	6	31	95	0.053
GEZ22ES	22.225	36.513	19.431	16.662	32	0.3	0.6	6	42	127	0.085
GEZ25ES	25.4	41.275	22.225	19.05	36.5	0.3	0.6	6	56	166	0.121
GEZ31ES	31.75	50.8	27.762	23.8	45.5	0.6	0.6	6	86	260	0.23
GEZ34ES	34.925	55.563	30.15	26.187	49	0.6	1	6	102	310	0.35
GEZ38ES	38.1	61.913	33.325	28.575	54.7	0.6	1	6	125	375	0.42
GEZ44ES	44.45	71.438	38.887	33.325	63.9	0.6	1	6	170	510	0.64
GEZ50ES	50.8	80.963	44.45	38.1	73	0.6	1	6	224	670	0.93
GEZ57ES	57.15	90.488	50.013	42.85	82	0.6	1	6	280	850	1.3
GEZ63ES	63.5	100.013	55.55	47.625	92	1	1	6	355	1060	1.85
GEZ69ES	69.85	111.125	61.112	52.375	100	1	1	6	415	1250	2.4
GEZ76ES	76.2	120.65	66.675	57.15	109.5	1	1	6	500	1500	3.1
GEZ82ES	82.55	130.175	72.238	61.9	119	1	1	6	585	1760	3.8
GEZ88ES	88.9	139.7	77.775	66.675	128	1	1	6	680	2040	4.8
GEZ95ES	95.25	149.225	83.337	71.425	137	1	1	6	780	2360	5.8
GEZ101ES	101.6	158.75	88.9	76.2	146	1	1	6	900	2650	7
GEZ107ES	107.95	168.275	94.463	80.95	155	1	1	6	1000	3000	8.41
GEZ114ES	114.3	177.8	100.013	85.725	164.5	1	1	6	1120	3400	9.8
GEZ120ES	120.65	187.325	105.562	90.475	173.5	1	1	6	1250	3750	11.5
GEZ127ES	127	196.85	111.125	95.25	183	1	1	6	1400	4150	13.5
GEZ152ES	152.4	222.25	120.65	104.775	207	1	1	5	1730	5200	17.5
GE20XS/K	20	32	16	14	28	0.5	0.5	4	33	166	0.053
GE22XS/K	22	37	19	16	32	0.5	0.5	6	43	217	0.085
GE25XS/K	25	42	21	18	36	0.5	0.5	5	55	275	0.116
GE30XS/K	30	50	27	23	45	1	1	6	87	439	0.225

Bearing Number	Boundary Dimensions(mm)								Basic Load Ratings(kN)		Weight (Kg)
	d	D	B	C	dk	rs min	rls min	α	Dynamic Cr	Static Cor	
GE35XS/K	35	55	30	26	50	1	1	5	110	552	0.302
GE40XS/K	40	62	33	28	55	1	1	6	130	654	0.375
GE45XS/K	45	72	36	31	62	1	1	5	163	816	0.598
GE50XS/K	50	80	42	36	72	1	1	5	220	1100	0.869
GE55XS/K	55	90	47	40	80	1	1	6	272	1360	1.26
GE60XS/K	60	100	53	45	90	1	1	6	344	1720	1.72
GE65XS/K	65	105	55	47	94	1	1	5	375	1870	2.05
GE70XS/K	70	110	58	50	100	1	1	5	425	2125	2.23
GE75XS/K	75	120	64	55	110	1	1	5	510	2570	3.01
GE80XS/K	80	130	70	60	120	1	1	5	610	3060	3.98
GE85XS/K	85	135	74	63	125	1	1	6	669	3340	4.31
GE90XS/K	90	140	76	65	130	1	1	5	718	3590	4.72
GE95XS/K	95	150	82	70	140	1	1	5	833	4165	6.05
GE100XS/K	100	160	88	75	150	1.5	1.5	5	956	4780	7.43
GE110XS/K	110	170	93	80	160	1.5	1.5	5	1080	5440	8.54
GEF110ES	110	170	93	80	160	1.5	1.5	5	1080	5440	8.54
GEF20ES	20	32	16	14	28	0.5	0.5	4	33	166	0.053
GEF22ES	22	37	19	16	32	0.5	0.5	6	43	217	0.085
GEF25ES	25	42	21	18	36	0.5	0.5	5	55	275	0.116
GEF30ES	30	50	27	23	45	1	1	6	87	439	0.225
GEF35ES	35	55	30	26	50	1	1	5	110	552	0.302
GEF40ES	40	62	33	28	55	1	1	6	130	654	0.375
GEF45ES	45	72	36	31	62	1	1	5	163	816	0.598
GEF50ES	50	80	42	36	72	1	1	5	220	1100	0.869
GEF55ES	55	90	47	40	80	1	1	6	272	1360	1.26
GEF60ES	60	100	53	45	90	1	1	6	344	1720	1.72
GEF65ES	65	105	55	47	94	1	1	5	375	1870	2.05
GEF70ES	70	110	58	50	100	1	1	5	425	2125	2.23
GEF75ES	75	120	64	55	110	1	1	5	510	2570	3.01
GEF80ES	80	130	70	60	120	1	1	5	610	3060	3.98
GEF85ES	85	135	74	63	125	1	1	6	669	3340	4.31
GEF90ES	90	140	76	65	130	1	1	5	718	3590	4.72
GEF95ES	95	150	82	70	140	1	1	5	833	4165	6.05
GEEM20ES-2RS	20	35	24	12	29	0.3	0.3	6	30	146	0.073
GEEM25ES-2RS	25	42	29	16	35.5	0.3	0.6	4	48	240	0.13
GEEM30ES-2RS	30	47	30	18	40.7	0.3	0.6	4	62	310	0.17
GEEM35ES-2RS	35	55	35	20	47	0.6	1	4	79	399	0.25
GEEM40ES-2RS	40	62	38	22	53	0.6	1	4	99	495	0.35
GEEM45ES-2RS	45	68	40	25	60	0.6	1	4	127	637	0.49
GEEM50ES-2RS	50	75	43	28	66	0.6	1	4	156	780	0.6
GEEM60ES-2RS	60	90	54	36	80	0.6	1	3	245	1220	1.15
GEEM70ES-2RS	70	105	65	40	92	0.6	1	4	313	1560	1.65
GEEM80ES-2RS	80	120	74	45	105	0.6	1	4	400	2000	2.5
GEEW100ES	100	150	100	55	130	1	1	4	607	3030	4.79
GEEW110ES	110	160	110	55	140	1	1	4	654	3270	5.78
GEEW12ES	12	22	12	7	18	0.3	0.3	4	10	53	0.022
GEEW15ES	15	26	15	9	22	0.3	0.3	5	16	84	0.031
GEEW16ES	16	28	16	9	23	0.3	0.3	4	17	85	0.035
GEEW17ES	17	30	17	10	25	0.3	0.3	7	21	106	0.044
GEEW20ES	20	35	20	12	29	0.3	0				

Bearing Number	Boundary Dimensions(mm)								Basic Load Ratings(kN)		Weight (Kg)
	d	D	B	C	dk	rs min	rls min	α	Dynamic Cr	Static Cor	
	GE20ES	20	35	16	12	29	0.3	0.3	9	30	
GE25ES	25	42	20	16	35.5	0.6	0.6	7	48	240	0.119
GE30ES	30	47	22	18	40.7	0.6	0.6	6	62	310	0.153
GE35ES	35	55	25	20	47	0.6	1	6	79	399	0.233
GE40ES	40	62	28	22	53	0.6	1	7	99	495	0.306
GE45ES	45	68	32	25	60	0.6	1	7	127	637	0.427
GE50ES	50	75	35	28	66	0.6	1	6	156	780	0.546
GE55ES	55	85	40	32	74	0.6	1	7	200	1000	0.939
GE60ES	60	90	44	36	80	1	1	6	245	1220	1.04
GE70ES	70	105	49	40	92	1	1	6	313	1560	1.55
GE80ES	80	120	55	45	105	1	1	6	400	2000	2.31
GE90ES	90	130	60	50	115	1	1	5	488	2440	2.75
GE100ES	100	150	70	55	130	1	1	7	607	3030	4.45
GE110ES	110	160	70	55	140	1	1	6	654	3270	4.82

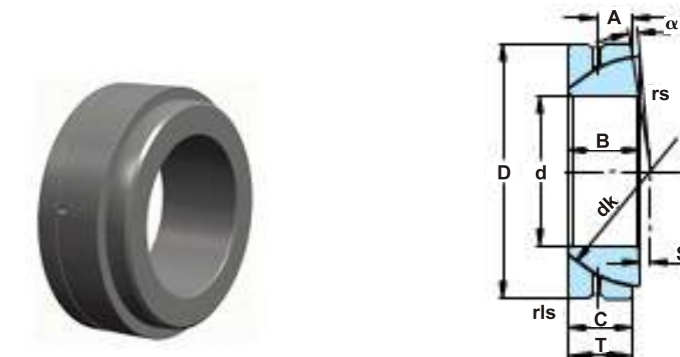
Radial Spherical Plain Bearing, Maintenance-Free Type



Bearing Number	Boundary Dimensions(mm)								Basic Load Ratings(kN)		Weight (Kg)
	d	D	B	C	dk	rs min	rls min	α	Dynamic Cr	Static Cor	
	GE15ET-2RS	15	26	12	9	22	0.3	0.3	8	23	
GEG15ET-2RS	15	30	16	10	25	0.3	0.3	16	30	60	0.049
GEG15ET-2RS	15	30	16	10	25	0.3	0.3	16	30	60	0.049
GE17ET-2RS	17	30	14	10	25	0.3	0.3	10	30	60	0.041
GEG17ET-2RS	17	35	20	12	29	0.3	0.3	19	42	83	0.083
GEG17ET-2RS	17	35	20	12	29	0.3	0.3	19	42	83	0.083
GEZ19ET-2RS	19.05	31.75	16.662	14.275	27.5	0.3	0.6	6	45	92	0.053
GE20ET-2RS	20	35	16	12	29	0.3	0.3	9	42	83	0.066
GEG20ET-2RS	20	42	25	16	35.5	0.3	0.6	17	68	137	0.153
GEG20ET-2RS	20	42	25	16	35.5	0.3	0.6	17	68	137	0.153
GEZ22ET-2RS	22.225	36.513	19.431	16.662	32	0.3	0.6	6	62	124	0.085
GE25ET-2RS	25	42	20	16	35.5	0.6	0.6	7	68	137	0.119
GEG25ET-2RS	25	47	28	18	40.7	0.6	0.6	17	88	176	0.203
GEG25ET-2RS	25	47	28	18	40.7	0.6	0.6	17	88	176	0.203
GEZ25ET-2RS	25.4	41.275	22.225	19.05	36.5	0.3	0.6	6	81	163	0.121
GE30ET-2RS	30	47	22	18	40.7	0.6	0.6	6	88	176	0.153
GEG30ET-2RS	30	55	32	20	47	0.6	1	17	112	224	0.304
GEG30ET-2RS	30	55	32	20	47	0.6	1	17	112	224	0.304
GEZ31ET-2RS	31.75	50.8	27.762	23.8	45.5	0.6	0.6	6	130	262	0.23
GEZ34ET-2RS	34.925	55.563	30.15	26.187	49	0.6	1	6	154	310	0.35
GE35ET-2RS	35	55	25	20	47	0.6	1	6	112	224	0.233
GEG35ET-2RS	35	62	35	22	53	0.6	1	16	140	280	0.408
GEG35ET-2RS	35	62	35	22	53	0.6	1	16	140	280	0.408
GEZ38ET-2RS	38.1	61.913	33.325	28.575	54.7	0.6	1	6	181	366	0.42
GE40ET-2RS	40	62	28	22	53	0.6	1	7	140	280	0.306
GEG40ET-2RS	40	68	40	25	60	0.6	1	17	180	360	0.542
GEG40ET-2RS	40	68	40	25	60	0.6	1	17	180	360	0.542
GEZ44ET-2RS	44.45	71.438	38.887	33.325	63.9	0.6	1	6	255	515	0.64
GE45ET-2RS	45	68	32	25	60	0.6	1	7	180	360	0.427
GEG45ET-2RS	45	75	43	28	66	0.6	1	15	220	440	0.713
GEG45ET-2RS	45	75	43	28	66	0.6	1	15	220	440	0.713
GE50ET-2RS	50	75	35	28	66	0.6	1	6	220	440	0.546
GEG50ET-2RS	50	90	56	36	80	0.6	1	17	345	695	1.14
GEG50ET-2RS	50	90	56	36	80	0.6	1	17	345	695	1.14
GEZ50ET-2RS	50.8	80.963	44.45	38.1	73	0.6	1	6	334	670	0.93
GE55ET-2RS	55	85	40	32	74	0.6	1	7	284	573	0.939
GEZ57ET-2RS	57.15	90.488	50.013	42.85	82	0.6	1	6	421	850	1.3
GE60ET-2RS	60	90	44	36	80	1	1	6	345	695	1.04
GEG60ET-2RS	60	105	63	40	92	1	1	17	440	880	2.05
GEG60ET-2RS	60	105	63	40	92	1	1	17	440	880	2.05
GEZ63ET-2RS	63.5	100.013	55.55	47.625	92	1	1	6	525	1060	1.85
GEZ69ET-2RS	69.85	111.125	61.112	52.375	100	1	1	6	628	1267	2.4
GE70ET-2RS	70	105	49	40	92	1	1	6	440	880	1.55
GEG70ET-2RS	70	120	70	45	105	1	1	16	567	1140	3.01
GEG70ET-2RS	70	120	70	45	105	1	1	16	567	1140	3.01

Bearing Number	Boundary Dimensions(mm)								Basic Load Ratings(kN)		Weight (Kg)
	d	D	B	C	dk	rs min	rls min	α	Dynamic Cr	Static Cor	
	GEZ76ET-2RS	76.2	120.65	66.675	57.15	109.5	1	1	6	751	
GE80ET-2RS	80	120	55	45	105	1	1	6	567	1140	2.31
GEG80ET-2RS	80	130	75	50	115	1	1	14	690	1370	3.64
GEG80ET-2RS	80	130	75	50	115	1	1	14	690	1370	3.64
GEZ82ET-2RS	82.55	130.175	72.238	61.9	119	1	1	6	884	1780	3.8
GEZ88ET-2RS	88.9	139.7	77.775	66.675	128	1	1	6	1024	2065	4.8
GE90ET-2RS	90	130	60	50	115	1	1	5	690	1370	2.75
GEG90ET-2RS	90	150	85	55	130	1	1	15	858	1730	5.22
GEG90ET-2RS	90	150	85	55	130	1	1	15	858	1730	5.22
GEZ95ET-2RS	95.25	149.225	83.337	71.425	137	1	1	6	1170	2368	5.8
GEH100XT	100	150	71	67	135	1	1	2	1080	2170	4.51
GE100ET-2RS	100	150	70	55	130	1	1	7	858	1730	4.45
GEG100ET-2RS	100	160	85	55	140	1	1	14	924	1860	6.05
GEG100ET-2RS	100	160	85	55	140	1	1	14	924	1860	6.05

Angular Contact Spherical Plain Bearing



Bearing Number	Boundary Dimensions(mm)										Basic Load Ratings(kN)		Weight (Kg)
	d	D	B	C	T	dk	S	A	rs,rls min	α	Dynamic Cr	Static Cor	
	GACZ12S	12.7	22.225	6.9	4.83	7.62	18.26	1.3	2.39	0.51	7	6	
GACZ15S	15.875	26.988	8.6	6.35	9.4	22.83	1.48	2.77	0.76	6	10	54	0.025
GACZ19S	19.05	31.75	10	7.87	11.18	27.43	1.79	3.18	1	6	16	83	0.038
GACZ22S	22.225	36.512	12	9.65	13.21	31.95	2.02	4.37	2	5.5	23	117	0.049
GACZ25S	25.4	41.275	14	11.18	15.24	36.5	2.54	5.16	2	6	30	154	0.085
GACZ31S	31.75	50.8	18	13.97	18.8	45.59	3.36	5.94	2	6	50	251	0.159
GACZ34S	34.925	55.562	20	15.24	21.34	49.2	3.69	7.14	2.54	4	56	282	0.213
GACZ38S	38.1	61.912	21	16.76	23.11	54.74	3.93	7.92	2.54	5.5	70	349	0.301
GACZ44S	44.45	71.438	25	20.07	27.18	63.88	4.72	8.33	2.54	6	99	499	0.458
GACZ50S	50.8	80.962	29	23.37	31.24	73.02	5.51	9.52	3.56	5.5	133	669	0.671
GACZ57S	57.15	90.488	32	26.67	35.31	82.17	6.18	11.5	3.56	5.5	170	854	0.948
GACZ63S	63.5	100.013	36	29.97	39.12	91.19	6.79	12.7	3.56	5	216	1080	1.13
GACZ69S	69.85	111.125	40	32.38	43.18	100.33	7.46	13.1	4.6	5	254	1270	1.75
GACZ76S	76.2	120.65	43	35.69	47.24	109.52	8.17	14.7	4.6	5	307	1536	2.28
GACZ82S	82.55	130.175	47	39.24	51.56	118.74	9.04	16.7	4.6	5	364	1820	2.89
GACZ88S	88.9	139.7	51	42.54	55.37	128.02	9.51	17.9	4.6	5	427	2130	3.57
GACZ95S	95.25	149.225	55	45.85	59.44	136.91	10.1	19.4	4.6	4.5	494	2470	4.35
GACZ101S	101.6	158.75	58	49.15	63.5	146.05	10.4	19.8	4.6	4.5	566	2830	5.26
GACZ114S	114.3	177.8	66	55.75	71.12	164.46	12.4	22.2	4.6	4.5	729	3640	7.76
GACZ127S	127	196.85	73	62.36	79.5	182.63	13.9	25.4	4.6	4.5	900	4500	11.07
GACZ152S	152.4	222.25	79	66.42	85.72	207.16	16.1	34.8	4.6	4.5	1080	5400	17.37
GAC25S	25	47	15	14	15	42	0.6	7.5	1	3.5	50	250	0.148
GAC28S	28	52	16	15	16	47	1	8	1	3	60	300	0.186
GAC30S	30	55	17	15	17	49.5	1.3	8.5	1	3	63	315	0.208
GAC32S	32	58	17	16	17	52	2	8.5	1	3	71	354	0.241
GAC35S	35	62	18	16	18	55.5	2.1	9	1	3	78	390	0.268
GAC40S	40	68	19	17	19	62	2.8	9.5	1	3	92	463	0.327
GAC45S	45	75	20	18	20	68.5	3.5	10	1	3	108	540	0.416
GAC50S	50	80	20	19	20	74	4.3	10	1	3	123	618	0.455
GAC55S	55	90	23	20	23	82	5	11.5	1.1	3	144	721	0.645
GAC60S	60	95	23	21	2								

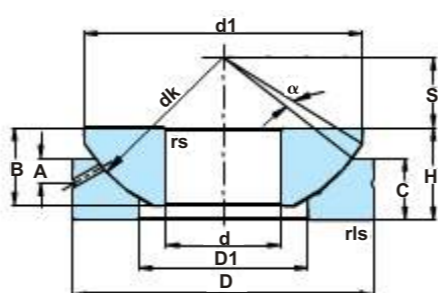
Bearing Number	Boundary Dimensions(mm)										Basic Load Ratings(kN)		Weight (Kg)
	d	D	B	C	T	dk	S	rs,rls min	α	Dynamic Cr	Static Cor		
GAC45T	45	75	20	18	20	68.5	3.5	1	3	190	380	0.416	
GAC50T	50	80	20	19	20	74	4.3	1	1.5	215	430	0.455	
GAC55T	55	90	23	20	23	82	5	1.1	4	250	500	0.645	
GAC60T	60	95	23	21	23	88.5	5.7	1.1	2.5	285	570	0.714	
GAC65T	65	100	23	22	23	93.5	6.5	1.1	1	315	630	0.759	
GAC70T	70	110	25	23	25	102	7.2	1.1	2	360	720	1.04	
GAC75T	75	115	25	24	25	107	7.9	1.1	1	395	790	1.12	
GAC80T	80	125	29	25.5	29	115	8.6	1.1	3.5	450	900	1.54	
GAC85T	85	130	29	26.5	29	122	9.4	1.1	2	495	990	1.61	
GAC90T	90	140	32	28	32	128.5	10.1	1.5	3.5	550	1100	2.09	
GAC95T	95	145	32	29.5	32	135	10.8	1.5	2	610	1220	2.22	
GAC100T	100	150	35	31	32	141	11.6	1.5	0.5	670	1340	2.34	

Thrust Spherical Plain Bearing GX...T Series (sliding contact surface: steel / PTFE fabric)



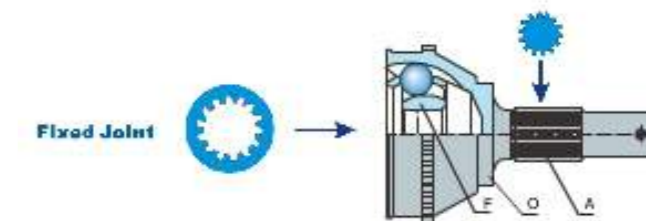
Bearing Number	Boundary Dimensions(mm)											Basic Load ratings(kN)		Weight (Kg)
	d	D	B	C	H	dk	S	d1 max	D1 min	rs rls min	α ≈	Dynamic Cr	Static Cor	
GX10T	10	30	7.5	7	9.5	32	7	27.5	15.5	0.6	5	45	90	0.036
GX12T	12	35	9.5	9.3	13	38	8	32	18	0.6	5	65	130	0.072
GX15T	15	42	11	10.8	15	46	10	39	22.5	0.6	6	95	190	0.108
GX17T	17	47	11.8	11.2	16	52	11	43.5	27	0.6	4	110	220	0.137
GX20T	20	55	14.5	13.8	20	60	12.5	50	31	1	5	150	300	0.246
GX25T	25	62	16.5	16.7	22.5	68	14	58.5	34.5	1	5	245	490	0.415
GX30T	30	75	19	19	26	82	17.5	70	42	1	5	335	670	0.614
GX35T	35	90	22	20.7	28	98	22	84	50.5	1	5	490	980	0.973
GX40T	40	105	27	21.5	32	114	24.5	97	59	1	6	675	1350	1.59
GX45T	45	120	31	25.5	36.5	128	27.5	110	67	1	6	915	1830	2.24
GX50T	50	130	33	30.5	42.5	139	30	120	70	1	6	1040	2080	3.14
GX60T	60	150	37	34	45	160	35	140	84	1	6	1400	2800	4.63
GX70T	70	160	42	36.5	50	176	35	153	94.5	1	3	1590	3180	5.37
GX80T	80	180	43.5	38	50	197	42.5	172	107.5	1	4	1960	3920	6.91
GX100T	100	210	51	46	59	222	45	198	127	1.1	4	2270	4540	10.9
GX120T	120	230	53.5	50	64	250	52.5	220	145	1.1	3	2560	5120	13.9
GX140T	140	260	61	54	72	274	52.5	243	177	1.5	3	3050	6100	18.1
GX160T	160	290	66	58	77	313	65	271	200	1.5	2	3520	7040	23.2
GX180T	180	320	74	62	86	340	67.5	299	225	1.5	4	4070	8140	30.9
GX200T	200	340	80	66	87	365	70	320	247	1.5	1	4780	9560	34.2

Thrust Spherical Plain Bearing GX...S Series (sliding contact surface: steel / steel)



Bearing Number	Boundary Dimensions(mm)											Basic Load Ratings(kN)		Weight (Kg)	
	d	D	B	C	H	dk	S	d1 max	D1 min	A	rs,rls min	α ≈	Dynamic Cr		Static Cor
GX10S	10	30	7.5	7	9.5	32	7	27.5	15.5	3	0.6	9	27	136	0.036
GX12S	12	35	9.5	9.3	13	38	8	32	18	4	0.6	8	37	188	0.072
GX15S	15	42	11	10.8	15	46	10	39	22.5	5	0.6	8	53	267	0.108
GX17S	17	47	11.8	11.2	16	52	11	43.5	27	5	0.6	10	61	311	0.137
GX20S	20	55	14.5	13.8	20	60	12.5	50	31	6	1	9	84	425	0.246
GX25S	25	62	16.5	16.7	22.5	68	14	58.5	34.5	6	1	7	134	672	0.415
GX30S	30	75	19	19	26	82	17.5	70	42	8	1	7	182	909	0.614
GX35S	35	90	22	20.7	28	98	22	84	50.5	8	1	8	266	1330	0.973
GX40S	40	105	27	21.5	32	114	24.5	97	59	9	1	9	357	1810	1.59
GX45S	45	120	31	25.5	36.5	128	27.5	110	67	11	1	9	486	2470	2.24
GX50S	50	130	33	30.5	42.5	139	30	120	70	10	1	7	554	2810	3.14
GX60S	60	150	37	34	45	160	35	140	84	12.5	1	8	748	3820	4.63
GX70S	70	160	42	36.5	50	176	35	153	94.5	13.5	1	8	902	4610	5.37
GX80S	80	180	43.5	38	50	197	42.5	172	107.5	14.5	1	8	1110	5700	6.91
GX100S	100	210	51	46	59	222	45	198	127	15	1.1	8	1300	6470	10.9
GX120S	120	230	53.5	50	64	250	52.5	220	145	16.5	1.1	6	1530	7580	13.9
GX140S	140	260	61	54	72	274	52.5	243	177	23	1.5	6	1820	9040	18.1
GX160S	160	290	66	58	77	313	65	271	200	23	1.5	7	2100	10440	23.2
GX180S	180	320	74	62	86	340	67.5	299	225	26	1.5	8	2430	12070	30.9
GX200S	200	340	80	66	87	365	70	320	247	27	1.5	8	3070	15280	34.2

Constant Velocity Joints Outer C.V.Joints



Vehicle MFR/Brand	Item No.	Item No. (Cross Ref.)	Outer Spline A	Inner Spline F	O	Vehicle Type	Year
Audi	AD-1-21-002	AD-002	26	25	56.5	4000 Quattro Rear-Axle	85-87
						100 A/T	89-91
						5000 Gas Diesel	79-88
						SAAB 9000	86-93
Audi	AD-1-21-005	AD-005	33	30	53	80 2.3L/2.6L	87-94
						V6 4Cyl/6Cyl A/T M/T	
Mitsubishi-Hyundai	MI-1-08-001	MI-001	25	22	50	C64A	87-91
						Lancer C11 C12 C14 C18 C15A	83-91
						C61A C52A C62A	
Mitsubishi-Hyundai	MI-1-08-002	MI-002	25	22	50	Colt 1500/1800	81-86
						Pony	85-88
						Tredia	83-
						Excel	86-93
						Cordia	83-
						Scoupe	90-93
						Eagle Summit 1.6L	89-92
						Mirage 1.5L All	85-92
						Colt Vista 4WD 95 AC	85-87
						Tredia 95 AC	84-88
Mitsubishi-Hyundai	MI-1-08-004	MI-004	25	25	50	Galant 3.0L V6	85-87
						Hyundai Sonata 2.0 4Cyl	85-87
						Cordia Turbo A213A 213G	88-91
						Magna 2.6L Australia Model	85-90
						Magna Elantra GL GLS	93-95
						Colt Turbo	81-82
Mitsubishi-Hyundai	MI-1-08-005	MI-005	25	23	50	Galant 4Cyl 92AC	85-88
						Sonata 2.0L LH 4Cyl	88-91
						E15 ALH	84-86
						D09W G63B	84-91
						4D65	84-86
						Colt Turbo GTS	82-90
						Mirage Turbo 87AC	85-88
Mitsubishi-Hyundai	MI-1-08-006	MI-006	25	23	50	Cordia	82-88
						Tredia	84-88
						Colt Vista 2WD 87AC	84-90
						Summit 1.6L 87AC	89-90
						Pajero 4WD	83-86
						Montego 4WD	83-86
						Pickup 4WD	83-86
						Dodge D50 4WD	79-86
						LO41 LO46 LO43 LO48	83-86
						Sigma V6 100AC	88-89
Mitsubishi-Hyundai	MI-1-08-009	MI-009	25	26	50	Galant V6 100AC	88-89
						Sonata 3.0L V6	89-91
						Colt VistaA 4WD 100AC	88-91
						E32A 4G37 1.8L	87-
						Galant V6	89-90
Mitsubishi-Hyundai	MI-1-08-010	MI-010	25	27	54	Sales	88-
						Services N2 3.0L	-
						Sigma	89-90
Mitsubishi-Hyundai	MI-1-08-012	MI-012	25	23	54	Galant SOHC	89-92
						Laser 1.8L	92-94
						Super Salon GCX2000	-
Mitsubishi-Hyundai	MI-1-08-014	MI-014	25	24	54	Galant 1.8L E33A E35A 4G63 AG6T	90-94
						Mitsubishi E55A E53A N37 4G 63 2.0L	92-
Mitsubishi-Hyundai	MI-1-08-016	MI-016F2	25	30	54	Laser	90-91
						Talon AWD M/T	90-92
Mitsubishi-Hyundai	MI-1-08-017	MI-017	25	22	54	Dodge Colt 1.5L	93-95
						Mirage 1.5L	93-95
						Eagle Summit 1.5L	93-95
Mitsubishi-Hyundai	MI-1-08-018	MI-018	25	22	54	Super Salon GCX2000 E32A 4G37	88-
Mitsubishi-Hyundai	MI-1-08-019	MI-019F2	25	23	54	Talon 2.0L FWD Turbo W/O ABS	90-94
						Galant E15A/E16A E33A E35A N34	89-93

Vehicle MFR/Brand	Item No.	Item No. (Cross Ref.)	Outer Spline A	Inner Spline F	O	Vehicle Type	Year
Mitsubishi-Hyundai	MI-1-08-021	MI-021	27	26	60	Diamante	93-94
						3000GT VR4	91-98
						Dodge Stealth 2WD DOHC	91-96
Mitsubishi-Hyundai	MI-1-08-022	MI-022	25	22	50	Galant	
Mitsubishi-Hyundai	MI-1-08-023	MI-023	28	25	56	Pajero 4WD	87-97
						Montero 4WD 4Cyl	87-97
						Pickup 4WD 4Cyl	87-89
						Dodge D50 4WD 4Cyl	87-93
						Dodge D50 4WD 6Cyl	90-91
Mitsubishi-Hyundai	MI-1-08-026	MI-026	25	30	54	Eclipse, Galant AWD	90-94
						Plymouth Laser	90-94
						Eagle Talon 4WD M/T	90-94
						Proton Wira 1.6L/1.8L	94-
Mitsubishi-Hyundai	MI-1-08-027	MI-027	25	30	50	Colt 1.6L	85-86
						Champ	83-86
						Mirage	85-88
Mitsubishi-Hyundai	MI-1-08-029	MI-029	25	23	50	Minibus	90-
Mitsubishi-Hyundai	MI-1-08-031	MI-031	27	27	60	Verada 3.0L V6	94-
						Sigma 3.0L V6	94-
Mitsubishi-Hyundai	MI-1-08-036	MI-036	25	26	54	Verada 3.0L V6	91-98
						Sigma 3.0L	91-98
Mitsubishi-Hyundai	MI-504	MI-504	25	23	35	Galant	88-91
Mitsubishi-Hyundai	MI-505	MI-505	25	25	35	Hyundai Sonata 4CYL D/S	89-93
Mitsubishi-Hyundai	MI-801	MI-801	25	29	54	Hyundai Accent ABS	95-97
Mitsubishi-Hyundai	MI-802	MI-802	25	30	49.9	MITSUBISHI	
Moskewitz	MO-1-12-001	MO-001	25	25	53	Lada 1200-1300 Ziguly	70-86
						Moskvich 2141 Aleko 1.6,1.7,1.8D,1.9D	89-96
Mazda	MZ-1-05-001	MZ-001F2	24	22	52	MAZDA E-BD1031	80-85
						MAZDA E-BD1051	80-85
						323 & GLC 1.5L	81-85
						Tracer 82AC	88-90
						BF 3P, BF 5P	84-87
						Laser	81-85
						AZDA Middle East Market(HDK MA-01)	
						626 2.0L 4Cyl A/T	83-87
						GCEP GCFP	82-87
						MX6 Telstar 2.0L M/T	83-
Mazda	MZ-1-05-002	MZ-002	26	25	52	Capella GC6P GC8P	82-87
						626 1.8L 4Cyl A/T M/T	83-87
Mazda	MZ-1-05-003	MZ-003	26	23	52	Capella	82-86
						Revue 121 DB3PA DB3P DB5P	90-
Mazda	MZ-1-05-004	MZ-004	24	21	52	323 1.3/1.5L	86-89
						323 1.6/1.8L	82-86
						Ford Aspire M/T	94-97
Mazda	MZ-1-05-005	MZ-005	26	25	56	626/GD 2.0L	88-92
						MX6 6Cyl	88-92
						Ford Probe 4Cyl	88-92
Mazda	MZ-1-05-006	MZ-006	26	23	56	626/GD 1.8L	88-92
						Ford Probe 1.8L	88-92
						MX6	88-92
						GD6P GD8P GD8S	87-91
Mazda	MZ-1-05-008	MZ-008	26	22	56	Miata 4Cyl A/T	92-93
						MX3	90-93
						Miata RWD	89-92
						323/BG 1.6L	90-93
						BG5P BG5S BG6P BG6S With DOHC	89-
Mazda	MZ-1-05-009	MZ-009	26	21	56	323 1.3L 4Cyl	91-94
						BG3P BG3S BG5P BG5S DOHC	89-
						ALL BG7P	
Mazda	MZ-1-05-010	MZ-010	26	30	56	MAZDA New 626 1.8L	92-93
						MX3 1.8L	92-94
						Protégé A/T M/T DOHC	90-94
Mazda	MZ-1-05-011	MZ-011	28	26	56	Ford Probe 3.0L A/T V6 Turbo	88-92
						626/MX6 2.2L A/T M/T W/ABS	88-92
						MX6 GDEP GDES GDEA GDEP A/T	87-91
						MX6 GDEP GDES GDEA GDEP M/T	87-91
Mazda	MZ-1-05-012	MZ-012	24	19	52	Festiva A/T 75AC	88-93
Mazda	MZ-1-05-014	MZ-014	26	25	56	626/MX6 4Cyl	87-92
						Ford Probe 4Cyl	88-92
Mazda	MZ-1-05-015	MZ-015	26	23	56	Protégé SOHC 1.8L	90-94
						626 GDEP GDES GDEA GDEP	87-91
						GV6V	88-
Mazda	MZ-1-05-016	MZ-016	28	23	56	Telstar New 4Cyl	94-
						626/GE, MX6 2.0L/2.2L	93-97
						Ford Probe 2.0L M/T	93-97
Mazda	MZ-1-05-017	MZ-017	26	24	56	Ford Telstar A/T AV 2.0L	
Mazda	MZ-1-05-024	MZ-024	24	19	52	Festivea Kia	
Mazda	MZ-1-05-027	MZ-027	26	22	56	Ford Liata 1.6L/1.8L W/ABS	96-98
						Protégé 1.5L	96-98

Vehicle MFR/Brand	Item No.	Item No. (Cross Ref.)	Outer Spline A	Inner Spline F	O	Vehicle Type	Year
Nissan	NI-1-06-001	NI-001	24	22	52	Cheery F10	75-82
						Pulsar 310	76-83
						MN10 KMN10 VMN10	81-82
Nissan	NI-1-06-002	NI-002	24	22	52	Pulsar 311 1.3L/1.5L	82-83
						HN12 HB11 KHB11 WHB11	81-86
Nissan	NI-1-06-003	NI-003	24	22	52	Sentra I/B SN12 SB12 VSB11 WSB11 M/T A/T	82-86
						Cheery 1.6L N12	82-84
						Sunny 1.5L/1.6L	82-86
						NH12 NH11 VHB11 KHB11 PHB11	81-86
						Sunny 1.3L	83-85
Nissan	NI-1-06-004	NI-004	21	22	48	Pulsar	83-85
						Pulsar DOHC	87-90
Nissan	NI-1-06-006	NI-006	25	23	52.3	Sentra SE 1.6L 2.0L	85-87
						Patrol Safari 321 1.6	80-82
Nissan	NI-1-06-008	NI-008	25	22	52.2	Sentra 1.3L	88-
						Sunny	86-90
Nissan	NI-1-06-009	NI-009	27	23	56	Stanea Van	86-89
						U11 WU11 M/T	85-88
						T12 PT12 M/T	85-88
						Bluebird 1.8L U11 RU11 VRU1	83-87
Nissan	NI-1-06-010	NI-010	27	26	56	Bluebird 2.0L U11 U12	92-97
						Stanza 2.0L	92-97
Nissan	NI-1-06-011	NI-011	25	22	52.2	Sentra SOHC	87-90
						Sentra HB12	85-87
						Sunny HB12 B12	85-90
Nissan	NI-1-06-014	NI-014	27	25	56	Pulsar SOHC	87-90
						Bluebird/Maxima 1.8L/2.0L	83-87
Nissan	NI-1-06-016	NI-016	27	25	56	Stanza, Auster PT12/CA18	85-89
						Maxima W/O ABS	85-89
						U11 WU11	83-87
						Sentra SE	85-86
						Sentra XE GXE SE A/T	90-92
						Wagon	84-86
						Bluebird 2.0L U11 WU11 PU11 A/T	85-88
						New Sentra 1.4L 321	84-89
						Sunny 1.4L B12	
						New Sentra 1.6L	
Nissan	NI-1-06-017	NI-017	25	30	55	Sentra 1.6L DOHC	87-90
						Pulsar DOHC SE	85-90
Nissan	NI-1-06-018	NI-018	25	30	55	B12 N13	87-89
Nissan	NI-1-06-019	NI-019	25	23	52.2	New Sentra 1.6L B12 N14 FB13 FN14	90-
						Sentra SB13 SN14 R10 M/T A/T 814 341 M/T	95-98
Nissan	NI-1-06-020	NI-020	25	22	55	Sentra 2.0L DOHC N13 1.6L	91-94
						Pulsar 2 CAM NX Twin Turbo	88-90
						NX 2000	91-93
						HB12 NH13 HB12 EN13	86-88
Nissan	NI-1-06-021	NI-021	25	25	52.2	Nissan	
						Nissan	
Nissan	NI-1-06-022	NI-022F4	25	23	55	Stanza GXE XE SE	90-92
Nissan	NI-1-06-026	NI-026	27	25	56	Bluebird J30 W/ABS	88-
						HN10 4WD	85-88
Nissan	NI-1-06-028	NI-028	25	24	52.2	Tsuru II	88-92
						Sentra Mexican	88-92
						Sunny 1.6L B13	88-92
Nissan	NI-1-06-031	NI-031	27	25	56	Nissan	
Nissan	NI-1-06-032	NI-032	25	24	55	Sunny B14	93-
Nissan	NI-1-06-036	NI-036	24	23	52	Sunny 1.3L	93-
						BM10 PM10	85-89
Nissan	NI-1-06-039	NI-039	25	25	55	Sentra 2.0L W/ABS NX2000	91-94
							91-93
Nissan	NI-1-06-046	NI-046	29	27	56	Maxima DOHC	89-95
Nissan	NI-801	NI-801	27	32	50	Primera	90-96
Nissan	NI-802	NI-802	27	25	55.2	Nissan	
Nissan	NI-803	NI-803	25	24	55	Mexican Tsuru GS Tsuambe	92-95
Nissan	NI-804	NI-804	24	22	52	Mexican Tsuru 1	84-87
Nissan	NI-805	NI-805	29	27	58	Nissan	
Opel-Daewoo	OP-1-23-002	OP-002	22	22	52	Kadett	
Opel-Daewoo	OP-1-23-003	OP-003	33	25	52	Ascona Diesel	81-
						Kadett Diesel	81-
Opel-Daewoo	OP-1-23-004	OP-004	22	28	52	Corsa 1.2L	88-
Opel-Daewoo	OP-1-23-005	OP-005	33	29	52	Opel Ascona Diesel	81-
						Kadett Diesel	81-
						Daewoo Super Racer 2.0L	81-
Opel-Daewoo	OP-1-23-006	OP-006F2	22	29	52	Daewoo Racer 1.5L/2.0L	89-93
Opel-Daewoo	OP-1-23-007	OP-007	33	25	52	Astra 1.7L/1.8L/2.0L	91-
						Calibra 2.0L	91-
						Kadett 1.6L/1.7L/1.8L/2.0L	84-91
						Vectra 1.6L/1.7L/1.8L/2.0L	88-95
Opel-Daewoo	OP-1-23-010	OP-010	23	19	44	Daewoo Tico	92-

Vehicle MFR/Brand	Item No.	Item No. (Cross Ref.)	Outer Spline A	Inner Spline F	O	Vehicle Type	Year
Rover	RV-801	RV-801	26	23	49	Rover 216 415	89- May-94
Rover	RV-802	RV-802	28	32	60	Rover 600 Rover 620 2.0ABS	89-90 Feb-99
Saab	SA-1-25-004	SA-004	26	25	56	SAAB 9000	79-84
Subaru	SB-1-07-001	SB-001	30	22	52	Leone 2WD 1.3L/1.6L/1.8L	79-84
Subaru	SB-1-07-002	SB-002	30	23	52	Leone 4WD	79-84
Subaru	SB-1-07-003	SB-003	30	22	58	Leone 2WD	84- 90-93
						Loyale 2WD	85-89
						Coupe 3 Door 2WD M/T No Turbo	85-89
						Sedan 2WD	86-93
Subaru	SB-1-07-004	SB-004	30	23	58	Loyale 4WD	86-93
						Sedan 4WD W/O Turbo	86-92
						Coupe 2WD	85
						Leone 4WD	84
						AA3 AL3 AA5 AL5	86-93
						Wagon 4WD	85-89
Subaru	SB-1-07-005	SB-005	30	25	58	Hatchback 4WD	85-95
						Loyale 2WD Turbo	85-95
						Sedan 4WD	85-89
						Leone 2WD	85-89
Subaru	SB-1-07-008	SB-008	27	25	56	Kombi 1800 Turbo	89- 97-98
						Legacy J95 2WD	89
						BC4 EJ20	97-98
Subaru	SB-1-07-010	SB-010	27	30	56	Forester 4WD	89- 84-98
						Legacy 1.8L/2.0L/2.2L	91-95
						Impreza 2.0L	89- 93-
Subaru	SB-1-07-012	SB-012	27	22	56	Legacy 4WD	89- 93-
						Legacy 1.8L 4WD	93-
						Impreza 1.6L/1.8L/2.0L	

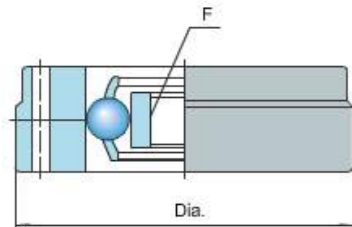
Inner C.V.Joint



Vehicle MFR/Brand	Item No.	Item No. (Cross Ref.)	Outer Spline A	Inner Spline F	O	Vehicle Type	Year
Subaru	SB-3-07-502	SB-502	23	23	40	Aiirad 4WD	82-87
						Leone 4WD	79-84
Toyota	TO-3-09-506		23	23	34	Tercel 1.5L	
Nissan	NI-3-06-509	NI-509	25	23	40	Bluebird 1.8L/2.0L	87-
Nissan	NI-3-06-516	NI-516	27	25	39	Bluebird 3.0L	86-94
Nissan	NI-3-06-522		29/31	27	46	Maxima DOHC A/T Locking Differential ABS D/S	92-94
						Maxima DOHC M/T Locking Differential ABS D/S	92-94
Nissan	NI-3-06-504		25	23	40	200SX 1.6L B/S	95-97
						Nissan NX 1600 1.6L 4Spd A/T B/S	91-93
						Nissan Sentra 1.6L 4-Spd A/T B/S	91-94
						Nissan Sentra 1.6L ABS B/S	95-97
						Nissan Sentra 1.6L Non-ABSor ABS Ready B/S	91-94
Nissan	NI-3-06-507		27	27	39	Maxima all	85-88
						Stanza Wagon 2WD	86-
						Stanza Wagon 4WD	86-
						Stanza D/S	91-92
						Stanza Wagon D/S	90
						Stanza Wagon 2WD	87-90
Nissan	NI-3-06-508		24	23	40	Stanza Wagon 4WD	87-90
						Pulsar 1.6L SOHC B/S	87-90
MAZDA	MZ-3-05-516	MZ-3-05-516	24	23	35	Sentra SOHC B/S	87-90
MAZDA	MZ-3-05-517	MZ-3-05-517	26	30	35	Protégé SOHC M/T D/S?	90-94
MAZDA	MZ-3-05-529	MZ-3-05-529	28	32	35	Protégé 1.8L DOHC M/T D/S	90-94
						Protégé 1.8L A/T D/S	95-98
MAZDA	MZ-3-05-507	MZ-3-05-507	24	22	35	MAZDA 626 2.5L /2.0L 93	93-95
						MX6 2.5L /2.0L 93	93-95
						MAZDA 323 ALL B/S	90-94
MAZDA	MZ-3-05-512	MZ-3-05-512	28	26	35	232 Non-Turbo B/S	86-89
						GIC ALL B/S	81-85
						MX3 4Cyl B/S	92-94
						Protégé 1.5L	95-
MAZDA	MZ-3-05-512	MZ-3-05-512	28	26	35	626	82-92
						MX6 D/S	82-92

Vehicle MFR/Brand	Item No.	Item No. (Cross Ref.)	Outer Spline A	Inner Spline F	O	Vehicle Type	Year
Mitsubishi-Hyundai	MI-3-505	MI-3-505	25	25	35	Hyundai Sonata 4Cyl D/S	89-93
MAZDA	MZ-3-05-504	MZ-3-05-504	26	25	35	MAZDA 626 4Cyl	84-92
						MAZDA MX6 4Cyl	84-92
						FORD Probe 4Cyl D/S	88-92
Honda	HO-3-04-526	HO-3-04-526	31	36	42	Acura Legend 3.2L P/S	91-95
Honda	HO-3-04-530	HO-3-04-530	27	32	40	Acura CL 3.0L	97-
						Accord 4Cyl A/T	94-97
						Accord 4Cyl M/T	94-97
						Accord 6Cyl	94-97
						Accord A/T	90-93
						Accord M/T	90-93
Mitsubishi-Hyundai	MI-3-504	MI-3-504	25	23	35	Galant	88-91
Honda	HO-3-04-516	HO-3-04-516	27	32	40	Accord M/T P/S A/T B/S	90-94 90-91
Honda	HO-3-04-517	HO-3-04-517	29	34	40	Prelude P/S	
Honda	HO-3-04-520	HO-3-04-520	25	27	35	Acura Legend P/S	89-90
Honda	HO-3-04-509	HO-3-04-509	25	30	35	Civic Hatchback M/T 4-Spd 1.5L(DrvSide)	88-91
Honda	HO-3-04-510	HO-3-04-510	27	32	40	CRX 1.5L HF(DrvSide)	88-92
						Civic P/S	88-94
Honda	HO-3-04-515	HO-3-04-515	29	34	40	Civic CRX DX SI P/S	88-91
						Prelude D/S	88-91
Honda	HO-3-04-515	HO-3-04-515	29	34	40	Acura Integra D/S	86-89
						Acura Legend B/S(Both side)	86-88
Honda	HO-3-04-506	HO-3-04-506	25	30	38	Acura Legend D/S	89-90
						Accord Exc. SEI M/T D/S Prelude Exc. Si M/T(DrvSide)	84-85 84-87
Honda	HO-3-04-507	HO-3-04-507	27	32	40	HONDA Accord 4Cyl M/T ABS (USA Built)(DrvSide)	94-97
						HONDA Accord 4Cyl M/T Non-ABS (USA Built)(DrvSide)	94-97
						HONDA Accord 4Cyl M/T Non-ABS (Japan Built)(DrvSide)	94-97
						HONDA Accord 6Cyl ABS(DrvSide)	94-97
						HONDA Accord 6Cyl Non-ABS(DrvSide)	94-97
						HONDA Accord M/T ABS(DrvSide)	90-93
						HONDA Accord M/T Non-ABS(DrvSide)	90-93
						HONDA Prelude D/S	90-91
						ACURA CL 3.0L ABS(DrvSide)	97
						ACURA CL ABS Ready(DrvSide)	97
						ACURA Integra ABS(DrvSide)	90-93
						Civic D/S	88-94
						Civic CRX DX SI D/S	88-91
						Mercury	95-96
Honda	HO-3-04-504	HO-3-04-504	27	32	38	Accord D/S M/T	84-89
Honda	HO-3-04-505	HO-3-04-505	27	32	40	HONDA ACCORD A/T(Both Side)	86-89
						HONDA ACCORD A/T LX-I(Both Side)	85
						HONDA A/T Si(Both Side)	85
						HONDA M/T(Both Side)	86-89
						HONDA M/T LX-i(Both Side)	85
						HONDA M/T Si(Both Side)	85
						PRELUDE ALL (PsgrSide)	88-89
						PRELUDE Si model A/T(PsgrSide)	85-87
						PRELUDE Si model M/T(PsgrSide)	85-87
						ACURA INTEGRA	86-89
Chrysler	CH-3-22-526	CH-3-22-526	25	32	40	Cirrus All	95-97
						Dodge Stratus All	95-97
						Plymouth Breeze All	96-97
Chrysler	CH-3-22-527	CH-3-22-527	25	32	40	Chrysler Truck Town and Country Mini van	96-97
						Dodge Truck Caravan (S/NS-Body) forward V6	96-97
Ford	FD-3-01-502	FD-3-01-502	35	30	42	Ford Taurus ACL&T&C 3.0L 6-Cyl (Exc.SHO)(PsgrSide)	86-87
						Ford Taurus ACL&T&C 3.0L 6Cyl (Exc.SHO)(PsgrSide)	88-89
						Ford Taurus ACL&T&C 3.0L 6Cyl (Exc.SHO)Non-ABS(PsgrSide)	90-93
Ford	FD-3-01-502	FD-3-01-502	35	30	42	Mercury Sable ACL&T&C 3.0L 6-Cyl Non-ABS(PsgrSide)	90-93
						Mercury Sable ACL&T&C 3.0L 6-Cyl (PsgrSide)	86-89
Chrysler	CH-3-22-505	CH-3-22-505	25	25	40	Dodge Caravan(S/NS-Body) GKN:2.5/3.0L All	87
						Dodge Caravan(S/NS-Body) GKN:2.5/3.0L Non-Turbo All	88-90
Chrysler	CH-3-22-511	CH-3-22-511	25	28	40	Neon 2000	95-
Chrysler	CH-3-22-512	CH-3-22-512	25	28	40	Neon 2000	95-

VL Inner C.V.Joint



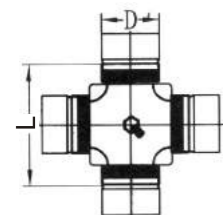
Vehicle MFR/Brand	Item No.	Item No. (Cross Ref.)	Outer Spline A	Inner Spline F	O	Vehicle Type	Year
Volkswagen	VW-3-09-514	VW-3-09-514	106.5	23		Toyota Corolla FX	84-87
Volkswagen	VW-3-09-517	VW-3-09-517	113.5	24		Toyota Camry GAS	83-86
						Toyota Camry 2WD 4CYL A/T B/S	87-91
						Audi 5000 A/T	77-80
Volkswagen	VW-1-20-008	VW-1-20-008	100	32	33	100LS M/T	77-80
						Jatta GLI	84-90
						Golf GTI	84-90
Volkswagen	VW-1-20-015	VW-1-20-015	94/90	32	33	Golf Small	
						T4 2.0L	93-
Volkswagen	VW-1-20-022	VW-1-20-022	108	31.8	28	Audi 4000S Coupe	82-87
						Audi 5000 A/T	77-80
						Audi 100LS M/T	77-80
Toyota	TO-3-09-511	TO-511	112/110	27	33	Camry V6(43409-17010)	88-91
Toyota	TO-3-09-512	TO-512	112/110	34	33	Camry V6 GKN Design	90-95
Toyota	TO-3-09-529	TO-529	112/110	32	33	Camry V6 GKN Design	90-91

With 4 Plain Round Bearing Type



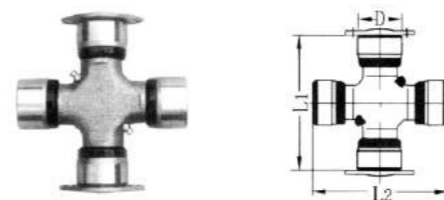
Bearing Number	Boundary Dimensions(mm)		Bearing Number	Boundary Dimensions(mm)		Bearing Number	Boundary Dimensions(mm)	
	D	L		D	L		D	L
5-200X	27	81.8	5-153X	27	81.7	5-129X	28.6	66.5
5-443X	27.01	61.95	5-155X	34.93	126.22	5-130	27.02	92
5-4X	27.01	74.6	5-160X	30.188	106.36	5-1509X	28.52	77.7
5-165X	41.24	142	5-101X	23.82	61.3	5-243X	32	82
5-178X	30.188	92.075	5-111X	23.82	61.3			
5-188X	34.93	106.31	5-134X	27	92/81.7			

With 4 Grooved Round Bearings



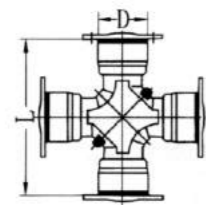
Bearing Number	Boundary Dimensions(mm)		Bearing Number	Boundary Dimensions(mm)		Bearing Number	Boundary Dimensions(mm)	
	D	L		D	L		D	L
5-92X	24.6	32.56	5-1511X	32	61	5-1201X	28.6/27	55.5
5-3011X	28.6	59.5	5-170X	23.83	34.85	5-1203X	27	67.6
5-3147X	28.6	60.2	5-1306X	27.04	50.8	5-1204X	28.6/27	67.6
5-456X	27	38.38	5-1309X	28.6	63.96	5-103X	23.83	35
5-260X	27	52.4	5-1502X	26	41.76	5-105X	25.4	39.5
5-297-1X	30.2	52.5	5-1206X	30.188	72.68	5-1200X	27	57.4
5-297X	30.2	52.5	5-1301X	31.3	71.5			
5-1508X	26.03	53.64	5-1306-1X	27.04	50.8			

With 2 Welded Plate And 2 Plain Round Bearing Type



Bearing Number	Boundary Dimensions(mm)		
	D	L1	L2
5-676X	49.2	191.69	194
5-677X	49.2	177.98	179.98
5-515X	49.2	154.7	157.1
5-674X	47.62	135	135
5-675X	49.2	154.7	157.1
5-438X	47.62	135	135
5-469X	49.2	177.98	179.98
5-510X	49.2	191.69	194

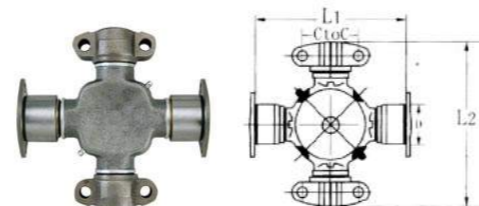
With 4 Welded Plate Type



Bearing Number	Boundary Dimensions(mm)	
	D	L
5-281X	49.2	191.9
5-407X	49.2	178
5-124X	58.98	167.6
5-279X	47.62	134.8
5-280X	49.2	154.9

With 2 Welded Plate Type And 2 High Wing Bearings

Bearing Number	Boundary Dimensions(mm)				Qty. & Type
	D	C to C	L1	L2	
5-324X	71.45	49.22	191.69	209.55	2HWD,2RND
5-326X	71.45	55.55	205.59	209.55	2HWD,2RND



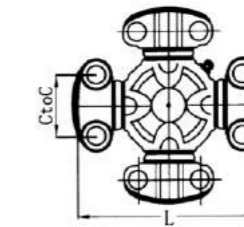
Differential Spinder



Bearing Number	Boundary Dimensions(mm)	
	D	L
S5778	26.95	182.8
S6348	23.825	171.45
S7689	31.7	219.08
S4195	26.924	186.14
S4532	25.416	171.3
S5507	25.35	193.7

Bearing Number	Boundary Dimensions(mm)	
	D	L
S2222	22.16	165.1
S2341	26.95	182.4
S3890	30.099	211.52
107371	30.04	197.6
38289	25.35	193.7
R-B14	22	150

With 4 Wings Bearings



Bearing Number	Boundary Dimensions(mm)		Qty. & Type
	C to C	L	
5-8516X	71.44	165	4LWT
5-9001X	71.44	209.51	2LWT,2HWD
5-9002X	71.44	209.51	4HWD
5-8200X	49.22	206.31	2LWT,2HWD
5-8202X	49.22	206.31	4HWD
5-8500X	71.6	165	4LWT
5-7150X	49.2	148.4	4HWD
5-7202X	49.22	148.4	4HWD
5-8105X	49.22	206.31	4LWT
5-6109X	42.88/49.22	140.45/148.38	4LWT
5-7000X	49.22	148.4	4HWD

Bearing Number	Boundary Dimensions(mm)		Qty. & Type
	C to C	L	
5-7105X	49.22	148.4	2LWT,2HWD
5-6102X	42.88	140.45	4HWD
5-6106X	42.88	140.45	2LWT,2LWT
5-6108X	42.88/49.22	140.45/148.38	2LWT,2HWD
5-4143X	36.5	108	4HWD
5-5177X	42.88	115.06	4LWT
5-6000X	42.88	140.45	2LWT,2HWD
4-5801	49.2	134.8	4LWT
4-5802	49.2	134.8	2LWT,2HWD
5-2116X	33.34	79	2LWT,2LWD

Center Support



TYPE1



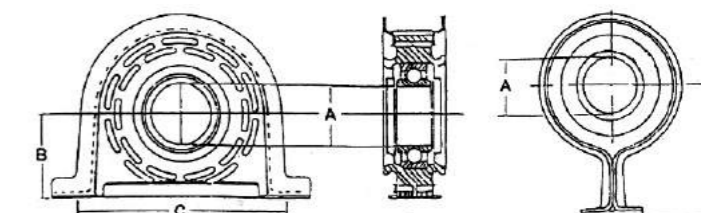
TYPE2



TYPE3



TYPE4



Number	CMP	SPICER	Bearing Number	Boundary Dimensions						Type	Slinger
				A		B		C			
				inc	mm	inc	mm	inc	mm		
HB206FF	DS-101K		6206-2RS	1.1811	30	3-1/2	88.9			1	NO
HB88107A	DS-201KF		88107	1.378	35	2-1/4	57.15	6-5/8	168.28	2	NO
HB88508	DS-301KF		88508	1.5748	40	2-1/2	63.5	6-5/8	168.28	3	NO
HB88508A	DS-204KF		88508A	1.5748	40	2-1/4	57.15	6-5/8	168.28	2	NO
HB88509A	DS-401KF-1	210084-1X	88509	1.7717	45	2-23/32	69.06	7-5/8	193.68	3	YES
HB88509	DS-401KF		88509	1.7717	45	2-23/32	69.06	7-5/8	193.68	3	NO
HB88510			88510	1.9685	50	2-13/16	71.44	7-5/8	193.68	3	NO
HB88510S			88510	1.9685	50	2-13/16	71.44	7-5/8	193.68	3	YES
HB88512			88512	2.3622	60	3-3/8	85.7	8-5/8	219.08	3	NO
HB88512A	DS-601KF	210661-1X	88512	2.3622	60	3-3/8	85.7	8-5/8	219.08	3	YES
HB88512B3			88512F	2.3622	60	3-3/8	85.7	8-5/8	219	4	NO
HB35			6207-2RS	1.378	35	2-1/4	57.2	6-5/8	168.28	3	YES
HB45			6209-2RS	1.7717	45	2-23/32	69	7-5/8	193.68	3	YES
HB50			6210-2RS	1.9685	50	2-13/16	71.4	7-5/8	193.68	3	YES
HB60512			88512	2.3622	60	3-3/8	85.7	8-5/8	219	3	YES
HB60212			6212-2RS	2.3622	60	3-3/8	85.7	8-5/8	219	3	YES

Bearing Tolerance

Tolerance Symbols

- △dmp—Single plane mean bore diameter deviation
- △ds—Deviation of single bore diameter
- Vdmp—Mean bore diameter variation
- Vdp—Bore diameter variation in a single radial plane
- △Bs—Deviation of a single width of the inner ring
- VBS—Inner ring width variation
- △Dmp—Single plane mean outside diameter deviation
- △Ds—Deviation of a single outside diameter
- VDmp—Mean outside diameter variation
- VDp—Outside diameter variation in a single radial plane
- Vcs—Outer ring width variation

- △cs—Deviation of a single width of the outer ring
- Kea—Radial runout of assembled bearing outer ring
- Kia—Radial runout of assembled bearing inner ring
- Sea—Side face runout with reference to raceway of assembled bearing outer ring
- Sia—Side face runout with reference to raceway of assembled bearing inner ring
- Sd—Side face runout with reference to bore of inner ring
- SD—Variation in inclination of outside cylindrical surface to outer ring side face
- α—R within the circle cone angle(half angle)
- △Ts—Deviation of the actual width of the bearing sets
- △T1s—Components within the actual effective width deviation
- △T2s—Outer ring effective width deviation of the actual

Normal Class Tolerances For Radial Bearings (Except Tapered Roller Bearings)

Inner Ring

Unit: μm

d(mm)		Δdmp		Vdp Diameter Series			Vdmp	ΔBs		ΔB1s		VBs	Kia
over	incl.	high	low	8,9	0,1	2,3,4		high	low	high	low		
2.5	10	0	-8	10	8	6	6	0	-120	0	-250	15	10
10	18	0	-8	10	8	6	6	0	-120	0	-250	20	10
18	30	0	-10	13	10	8	8	0	-120	0	-250	20	13
30	50	0	-12	15	12	9	9	0	-120	0	-250	20	15
50	80	0	-15	19	19	11	11	0	-150	0	-380	25	20
80	120	0	-20	25	25	15	15	0	-200	0	-380	25	25
120	180	0	-25	31	31	19	19	0	-250	0	-500	30	30
180	250	0	-30	38	38	23	23	0	-300	0	-500	30	40
250	315	0	-35	44	44	26	26	0	-350	0	-500	35	50

Outer Ring

Unit: μm

D(mm)		ΔDmp		VDp Diameter Series			Bearings With Shields or seal	VDmp	ΔCs1 ΔC1s Vcs	Kea
over	incl.	high	low	8,9	0,1	2,3,4				
6	18	0	-8	10	8	6	10	6	Values are identical to those for inner ring of same bearing (ΔBs ΔB1s VBs)	15
18	30	0	-9	12	9	7	12	7		15
30	50	0	-11	14	11	8	16	8		20
50	80	0	-13	16	13	10	20	10		25
80	120	0	-15	19	19	11	26	11		35
120	150	0	-18	23	23	14	30	14		40
150	180	0	-25	31	31	19	38	19		45
180	250	0	-30	38	38	23	-	23		50
250	315	0	-35	44	44	26	-	26		60
315	400	0	-40	50	50	30	-	30		70

Normal Tolerances For Tapered Roller Bearings (Metric Sizes)

Inner Ring And Bearing Width

Unit: μm

d(mm)		Δdmp		Vdp	Vdmp	ΔBs		Kia	ΔTs		ΔT1s		ΔT2s	
over	incl.	high	low			max	max		high	low	max	high	low	high
10	18	0	-12	12	9	0	-120	15	+200	0	+100	0	+100	0
18	30	0	-12	12	9	0	-120	18	+200	0	+100	0	+100	0
30	50	0	-12	12	9	0	-120	20	+200	0	+100	0	+100	0
50	80	0	-15	15	11	0	-150	25	+200	0	+100	0	+100	0
80	120	0	-20	20	15	0	-200	30	+200	-200	+100	-100	+100	-100
120	180	0	-25	25	19	0	-250	35	+350	-250	+150	-150	+200	-100
180	250	0	-30	30	23	0	-300	50	+350	-250	+150	-150	+200	-100
250	315	0	-35	35	26	0	-350	60	+350	-250	+150	-150	+200	-100
315	400	0	-40	40	30	0	-400	70	+400	-400	+200	-200	+200	-200

Outer Ring

Unit: μm

D(mm)		ΔDmp		VDp	VDmp	ΔCs	Kea
over	incl.	high	low				
18	30	0	-12	12	9	Values are identical to those for inner ring of same bearing (ΔBs)	18
30	50	0	-14	14	11		20
50	80	0	-16	16	12		25
80	120	0	-18	18	14		35
120	150	0	-20	20	15		40
150	180	0	-25	25	19		45
180	250	0	-30	30	23		50
250	315	0	-35	35	26		60
315	400	0	-40	40	30		70
400	500	0	-45	45	34		80

Tolerances For Tapered Roller Bearings (Inch Sizes)

Inner Ring

Unit: μm

d(mm)		Δds		ΔTs	
over	incl.	high	low	high	low
-	76.2	+13	0	+203	0
76.2	101.6	+25	0	+356	-254
101.6	266.7	+25	0	+356	-254

Outer Ring

Unit: μm

D(mm)		ΔDs		Kia	Kea	Sia	Sea
over	incl.	high	low				
-	266.7	+25	0	51			
266.7	304.8	+25	0	51			
304.8	609.6	+51	0	51			

Radial Interanal Clearance Of Magneto Ball Bearing

Unit: μm

Bore diameter d(mm)		C2		Normal	
over	incl.	min	max	min	max
2.5	10	10	40	20	50
10	30	20	50	30	60

Material Of Bearing Rings And Balls

the bearing rings and balls are made of high carbon chromium steel GCr15 which the chemical composition is equivalent to SAE 52100

Steel No.	C	Cr	Si	Mn	S	P
GCr 15	0.95 ~ 1.05	1.30 ~ 1.65	0.15 ~ 0.35	0.20 ~ 0.40	< 0.020	< 0.027
SAE 52100	0.98 ~ 1.10	1.30 ~ 1.60	0.15 ~ 0.30	0.25 ~ 0.45	< 0.025	< 0.025

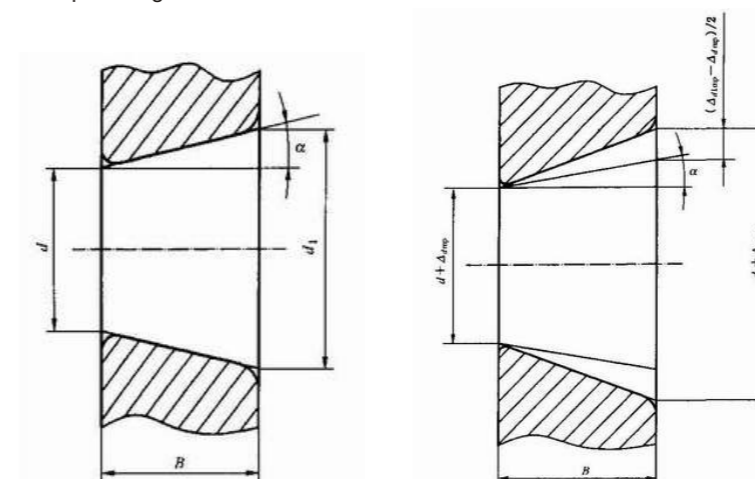
The hardness for bearing rings are HRC59 ~ 64 and HRC60 ~ 65 for steel balls

Normal Class Tolerance And Allowable Values (Class O) Of Tapered Hole Of Radial Bearings

Δdmp : The average diameter tolerance

$\Delta\text{d1mp}-\Delta\text{dmp}$: Taper tolerance

Vdap: Changes in volume diameter tolerance



Theoretical tapered hole

Tapered hole having dimensional difference of the average bore diameter within the flat surface

Circular cone morse taper 1: 12

Unit: μm

Nomiinal bore diameter d(mm)		Δdmp		$\Delta\text{d1mp}-\Delta\text{dmp}$		Vdap
over	incl.	high	low	high	low	
-	10	+22	0	+15	0	9
10	18	+27	0	+18	0	11
18	30	+33	0	+21	0	13
30	50	+39	0	+25	0	16
50	80	+46	0	+30	0	19
80	120	+54	0	+35	0	22
120	180	+63	0	+40	0	40
180	250	+72	0	+46	0	46
250	315	+81	0	+52	0	52

Bearing Interanal Clearance

Radial Interanal Clearance Of Deep Groove Ball Bearings

Under Zero Measuring Load

Unit: μm

Bore diameter d(mm)		C2		Normal		C3		C4		C5	
over	incl.	min	max	min	max	min	max	min	max	min	max
2.5	10	0	7	2	13	8	23	14	29	20	37
10	18	0	9	3	18	11	25	18	33	25	45
18	24	0	10	5	20	13	28	20	36	28	48
24	30	1	11	5	20	13	28	23	41	30	53
30	40	1	11	6	20	15	33	28	46	40	64
40	50	1	11	6	23	18	36	30	51	45	73
50	65	1	15	8	28	23	43	38	61	55	90
65	80	1	15	10	30	25	51	46	71	65	105
80	100	1	18	12	36	30	58	53	84	75	120
100	120	2	20	15	41	36	66	61	97	90	140
120	140	2	23	18	48	41	81	71	114	105	160
140	160	2	23	18	53	46	91	81	130	120	180
160	180	2	25	20	61	53	102	91	147	135	200
180	200	2	30	25	71	63	117	107	163	150	230
200	225	4	32	28	82	73	132	120	187	175	255

Radial Internal Clearance Of Deep Groove Ball Bearings Based On Measure Load

Radial Internal Clearance Of Self-Aligning Ball Bearings

Unit: μm

Bore diameter d(mm)		Measuring load N (Kg)	Radial clearance increase (μm)		
over	incl.		C2	C0	C3, C4, C5
10	18	24.5 (2.5)	3-4	4	4
18	50	49 (5)	4-5	5	6
50	200	147 (15)	6-8	8	9

Radial Internal Clearance Of Bearings For Electric Moter

Unit: μm

Bore diameter d(mm)		Radial internal clearance CM			
		Deep groove ball bearing		Cylindrical roller bearing	
over	incl.	min	max	min	max
10	18	4	11	-	-
18	24	5	12	-	-
24	30	5	12	15	30
30	40	9	13	15	30
40	50	9	17	20	35
50	65	12	22	25	40
65	80	12	22	30	45
80	100	18	30	35	55
100	120	18	30	35	60

Bore diameter d(mm)		C2		Normal		C3		C4	
over	incl.	min	max	min	max	min	max	min	max
Bearings with cylindrical bore									
2.5	6	1	8	5	15	10	20	15	25
6	10	2	9	6	17	12	25	19	33
10	14	2	10	6	19	13	26	21	35
14	18	3	12	8	21	15	28	23	37
18	24	4	14	10	23	17	30	25	39
24	30	5	16	11	24	19	35	29	46
30	40	6	18	13	29	23	40	34	53
40	50	6	19	14	31	25	44	37	57
50	65	7	21	16	36	30	50	45	69
65	80	8	24	18	40	35	60	54	83
80	100	9	27	22	48	42	70	64	96
Bearings with tapereds bore									
18	24	7	17	13	26	20	33	28	42
24	30	9	20	15	28	23	39	33	50
30	40	12	24	19	35	29	46	40	59
40	50	14	27	22	39	33	52	45	65
50	65	18	32	27	47	41	61	56	80
65	80	23	39	35	57	50	75	69	98
80	100	29	47	42	68	62	90	84	116